



Mini Vortex Mixers



Built Sturdy to Provide Stable and Reliable Vortexing Action

Four Mini Vortex Mixer models for gentle to high-speed mixing are available. Analog model offers variable speed control, and digital model allows input of the exact speed and time to achieve reproducible results. Pulsing model features a unique pulse action that reduces heat generation, while providing more effective mixing and cell disruption. Fixed speed model offers one-touch, high-speed mixing.

Standard Features:

- **Select from Two Modes of Operation—Touch or Continuous**
Available as analog and digital models with a rocker switch to select from two modes—Touch mode which activates mixing when depressing the cup head or Continuous mode when using accessory attachments.
- **Variable Speed Models Offer Low RPM Start Up to High-Speed Mixing**
Analog and digital models offer speed control from low RPM start up for gentle shaking to high-speed mixing for vigorous vortexing of samples (analog: 300 to 3200 rpm and digital: 500 to 3000 rpm).
- **Fixed Speed Models Provide Full RPM for Vigorous Mixing**
Fixed speed vortex mixers start mixing when the cup head is depressed. Ideal for mixing samples when a variable speed is not needed. Speed is a full 3200 rpm to provide vigorous mixing of samples.

Mini Vortex Mixers

Model	VXMNFS	VXMNAL	VXMNDG	VXMNPS
Control	Fixed Speed	Analog	Digital	Pulsing, digital
Speed Range	3200 rpm	300 rpm – 3200 rpm	500 rpm – 3000 rpm	
Orbit	4.9 mm (0.19 in.)			2.5 mm (0.098 in.)
Duty Rating	Intermittent			
Working Environment	39 °F – 104 °F, 20% – 85% relative humidity, non-condensing			
Power	120V, 1.2A, 50/60Hz			
Power Consumption	135 W			
Dimensions (W × L × H)	4.8 × 8.3 × 6.5 in. / 123 × 210 × 165 mm			
Net Weight	9 lb / 4.4 kg			

Other Standard Features and Equipment

Detachable 3-wire cord and plug, cup head and 3-inch accessory platform for beakers, flasks, test tubes etc. (included with all models), stainless steel microtube holder for 12 tubes (included with pulsing model only).

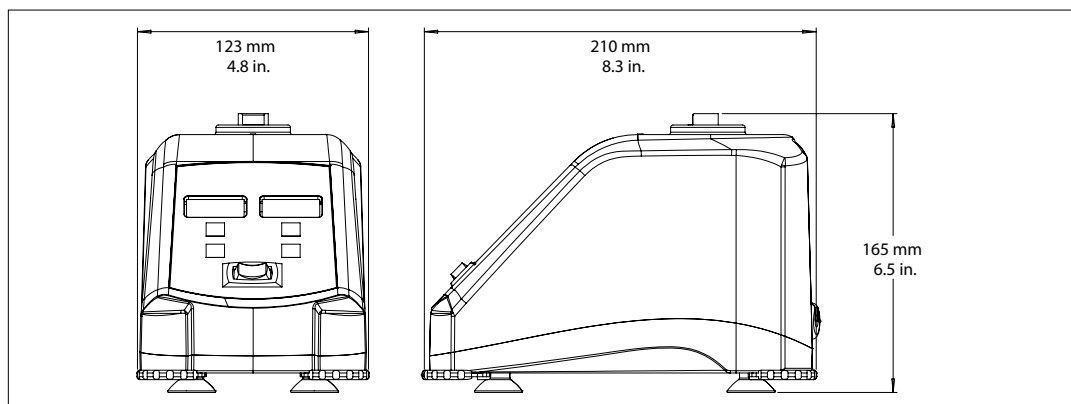
Compliance

- **Product Safety:** CAN/CSA C22.2 61010-1, CAN/CSA C22.2 61010-2-051, UL 61010-1
- **Electromagnetic Compatibility:** ICES-003 Class A, FCC Part 15 Class A
- **Compliance Marks:** TÜV SÜD

Accessories

Item No.	Description	VXMNFS	VXMNAL	VXMNDG	VXMNPS
30400235	Cup Head	•	•	•	•
30400236	7.6 cm Head (3 in.)	•	•	•	•
30400237	7.6 cm Rubber Head Cover (3 in.)	•	•	•	•
30400196	8 cm Head with Rubber Cover	•	•	•	•
30400197	Tube Holder Kit with Retainer	N/A	•	•	•
30400198	Micro Tube and Well Plate Holder Kit	N/A	•	•	•
30400199	Micro Well Plate Kit with Retainer	N/A	•	•	•
30400200	Microtube Kit with Retainer	N/A	•	•	•
30400201	Foam Insert Variety Pack	N/A	•	•	•
30400202	Single Tube Holder	N/A	•	•	•
30400203	Single Tube Holder Adapter Vortex Genie	N/A	•	•	•
30400204	0.5 mL Micro-Tube Holder	N/A	•	•	•
30400205	1.5-2.0 mL Micro-Tube Holder	N/A	•	•	•
30400206	1.5-2.0 mL Stainless Steel Tube Holder	N/A	•	•	•
30400207	Ampule Tube Holder - Small (15-17 mm)	N/A	•	•	•
30400208	Ampule Tube Holder - Large (10-17 mm)	N/A	•	•	•
30400227	Insert Retainer	N/A	•	•	•
30400228	Vessel Harness, Pack of 2	N/A	•	•	•
30400229	Holder For 9-13 mm Tubes, Pack of 2	N/A	•	•	•
30400230	Holder For 14-19 mm Tubes, Pack of 2	N/A	•	•	•
30400231	Holder For 20-25 mm Tubes, Pack of 2	N/A	•	•	•
30400232	Micro-Tube Holder, Pack of 2	N/A	•	•	•
30400233	Micro-Well Plate Holder, Pack of 2	N/A	•	•	•
30400234	Flat Foam Insert, Pack of 2	N/A	•	•	•

Dimensions



OHAUS CORPORATION

7 Campus Drive
Suite 310
Parsippany, NJ 07054 USA

Tel: 800.672.7722
973.377.9000
Fax: 973.944.7177

www.ohaus.com

The management system governing the manufacture of this product is ISO 9001:2015 certified.

