

- Place the new sensor back on the stud and secure it to the well liner using the nut.
- Replace the well liner insulation and push the liner tabs back over it.
- Insert the sensor leads to the controller sensor connector.
- Fit the cover back over the base and secure the six screws (Model 145D) at the bottom of the bath.

Replacing the Fuses

There are two fuses located in the IEC power line module on the rear of the dry bath. To replace the fuses proceed as follows:

Turn the power switch to the OFF position and pull the power cord out of the IEC module, see Fig. 4.

- Fit a thin blade screwdriver under the bottom portion of the fuse holder.
- Using a screwdriver, slide the fuse holder out of the IEC module.
- Replace the bad fuses.
- Slide the fuse holder back into the IEC module until it snaps in place.



CAUTION: DOUBLE POLE NEUTRAL FUSING.

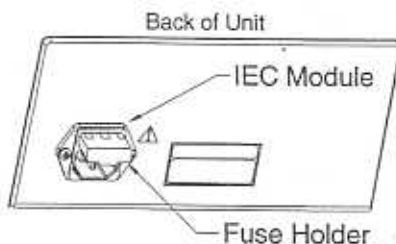


Fig. 4

Product Specifications

Performance Characteristics

Temperature Range:	
Ambient + 5°C to 125°C	
Ambient + 9°F to 257°F	
Stability:	+/- 0.1°C
Absolute Uniformity:	+/- 0.3°C*
Block Capacities:	
Model 125D	2
Model 145D	4

*Maximum deviation from average of temps at 37°C.

Power Requirements

11-715-125D	115VAC, 50/60 Hz, 2 A
11-715-126D	230VAC, 50/60 Hz, 1 A
11-715-145D	115VAC, 50/60 Hz, 4 A
11-715-146D	230VAC, 50/60 Hz, 2 A

Replacement Parts

Item	Part No.
Heater Assembly(11-715-145D)	SPN103677
Heater Assembly (11-715-146D)	SPN103678
Heater Assembly(11-715-125D)	SPN103757
Heater Assembly (11-715-126D)	SPN103758
Display PCB	SPN102420
Controller PCB	SPN103676
Thermal Cut Out (TCO)	103568
Temperature Sensor	103569
IEC Power Entry Module	102486
Fuse, 5x20mm, F5A, 250V	SPN102487
Ribbon Cable	103607
Dry Block Handle	83326

Environmental Requirements

Ambient Temperature:	10-40°C
Relative Humidity:	0 to 90%
	(non-condensing)
Max. Altitude:	2000 M
Pollution Degree:	2
Overvoltage Category:	II

Physical Data

Dimensions

Model 125D:	10L x 8W x 4.5H (in)
	25.4L x 20.3W x 11.5H (cm)
Model 145D:	14L x 8W x 4.5H (in)
	35.5H x 20.3W x 11.5H (cm)

Net Weight

Model 125D:	5lbs (2.3kg)
Model 145D:	6lbs (2.7kg)

Catalog Accessories

Dry Blocks

All block sizes are: 3.75L x 3W x 2H (in.)

Hole Size	Tube Capacity	Cat. No.
6-mm	35	11-715-305
10-mm	20	11-715-307
10-mm shallow, Placentex™ test tubes		
	20	11-715-320
12-mm	20	11-715-309
12.5mm	12	11-715-321
13-mm	20	11-715-311
15-mm	12	11-715-313
16-mm	12	11-715-315
20-mm	6	11-715-317
25-mm	6	11-715-319
Forceps Heating Block		11-715-323

NOTE: See your Fisher catalog or representative for a full line of applicable glassware.

Wiring Diagram

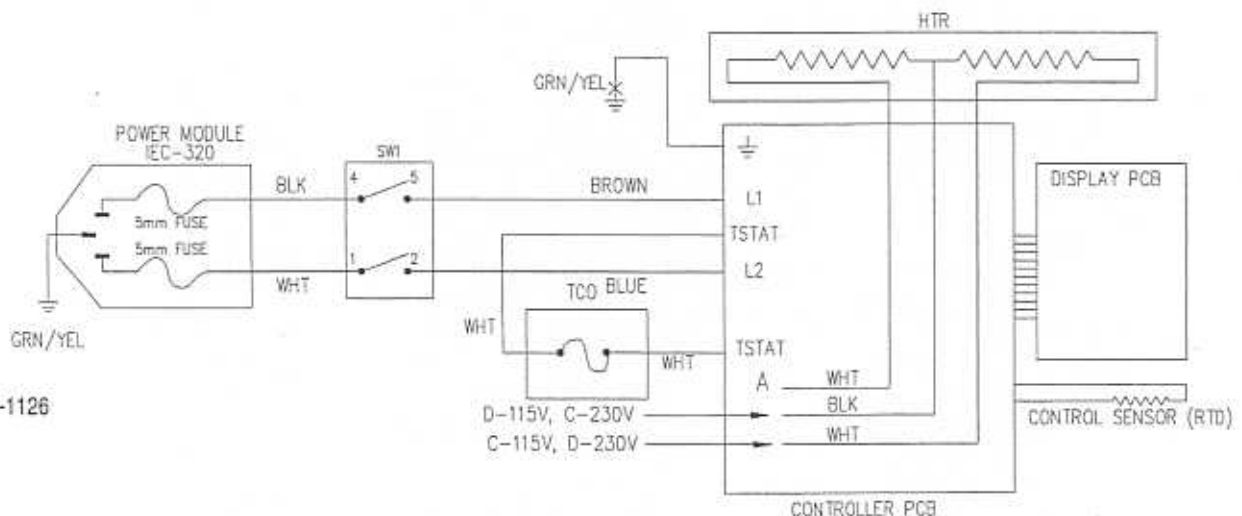


FIG. 5

Fisher Scientific Co.
2000 Park Lane
Pittsburgh, PA 15275-1126

Customer Service:
1-800-766-7000
Technical Service:
1-800-943-2006

Rev. B
Part No. 103681
Published: 5-00