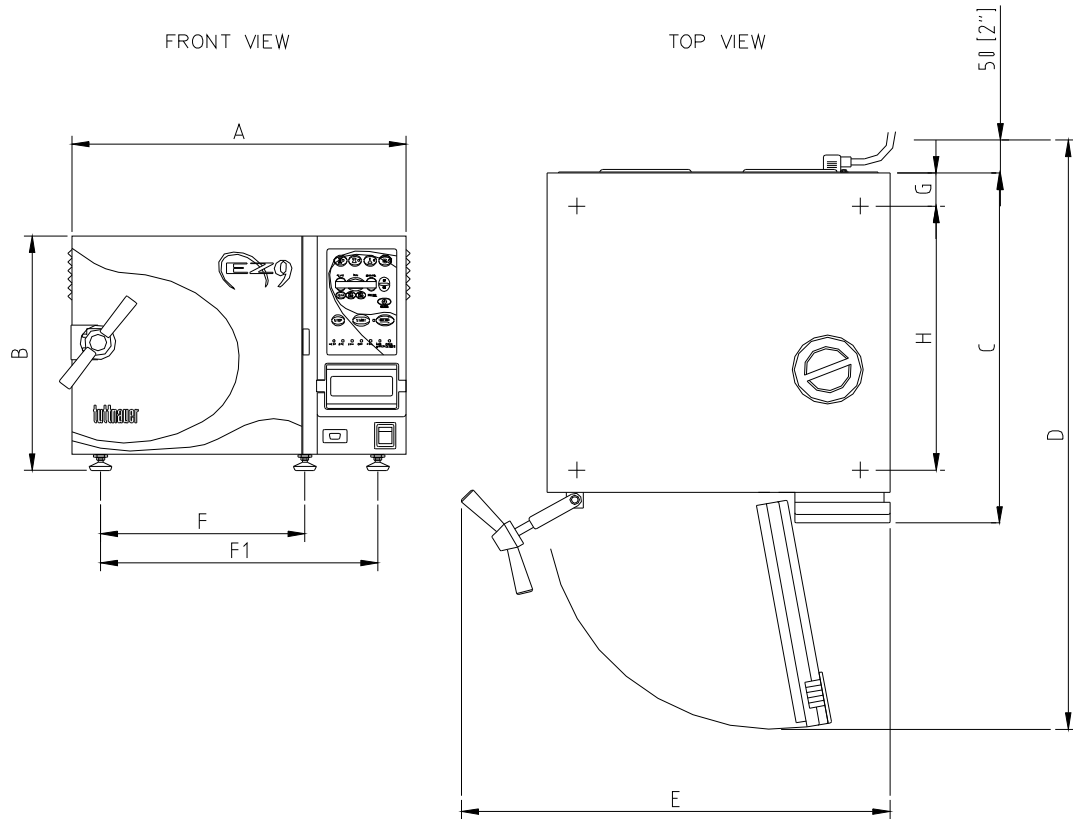


2.9 Specifications

Overall Dimensions



Model		EZ9		EZ10, EZ10K	
		mm	in	mm	in
Overall Dimensions	A	510	20.0	510	20.0
	B	365	14.4	365	14.4
	C	540	21.5	545	21.5
Maximum Dimensions (door open)	D	910	35.8	910	35.8
	E	630	24.8	655	25.8
Distance Between Supporting Legs	F	299	11.8	299	11.8
	F1	422	16.6	422	16.6
	G	50	2.0	50	2.0
	H	400	15.8	400	15.8
Reservoir Volume		3 lit.	0.8 gal.	3 lit.	0.8 gal.
Minimum Water Volume in Reservoir		0.8 lit.	0.21 gal.	0.8 lit.	0.21 gal.
Max. Allowable Working Pressure (MAWP)		2.76 bar (40 psi)			
Load No. Counter		Counting from 0 to 250 and nullifies.			

2.10 Technical Specifications

Models		EZ9	EZ10, EZ10K
Shipping Volume		9.4 cu.ft. (0.27m ³)	9.4 cu. ft. (0.27m ³)
Shipping Weight		79 lbs. (36 kg)	106 lbs. (48 kg)
Printer		Yes	Yes
No. of IMS Cassettes (Optional)	Half	2	3
	Full	2	3
No. of Trays		3	4
Tray Dimensions W X D X H		6.7" x 16.3" x 0.8" (17 x 41.5 x 2cm)	6.7" x 16.3" x 0.8" (17 x 41.5 x 2cm)
Volume of Mineral Free Water Reservoir		0.66 US gal. (3.0 liters.)	0.66 US gal. (3.0 liters.)
Volume of Chamber		5 US gal. (19 liters)	6 US gal. (23 liters)
Chamber Dimensions DIA x D		9" x 18" (23 x 47 cm)	10" x 19" (25.4 x 47.5cm)

2.11 Standards

The autoclaves are FDA cleared and comply with the following Standards:

2.11.1 Technical Standards

1. A.S.M.E. Code, Section VIII div.1 for unfired pressure vessels.
3. UL61010-1 Safety for Electrical Equipment for Measurement, Control, and Laboratory Use, General Requirements.
4. UL61010-2-041 Particular Safety for Autoclaves.

2.11.2 Quality Standards

1. EN ISO 9001:2008– Quality System
2. ISO 13485:2003 – Quality systems – Medical devices .

2.12 *Water Quality*

The distilled or mineral free water supplied to the autoclave should have the physical characteristics and maximum acceptable level of contaminants indicated in the table below:

Physical Characteristics and Maximum acceptable contaminants levels in steam for sterilizers

Element	Condensate – allowable content
Silicium oxide. SiO ₂	≤0.1 mg/kg
Iron	≤0.1 mg/kg
Cadmium	≤0.005 mg/kg
Lead	≤ 0.05 mg/kg
Rest of metals except iron, cadmium, lead	≤0.1 mg/kg
Chloride (Cl)	≤0.1 mg/kg
Phosphate (P ₂ O ₅)	≤0.1 mg/kg
Conductivity (at 20°C)	≤3 µs/cm
pH value (degree of acidity)	5 to 7
Appearance	Colourless clean without sediment
Hardness (Σ Ions of alkaline earth)	≤0.02 mmol/l

Compliance with the above data should be tested in accordance with acknowledged analytical methods, by an authorized laboratory.

Attention:

The use of water for autoclaves that does not comply with the table above may have severe impact on the working life of the sterilizer and can invalidate the manufacturer's warranty.