

Model 3100 Series

Forma Series II Water Jacket CO₂ Incubator

Operating and Maintenance Manual 7043110 Rev. 13



Table 1. Single Chamber Models

Model	CO₂ Sensor*	O₂	Voltage**
3110	T/C	No	115
3111	T/C	No	230
3120	IR	No	115
3121	IR	No	230
3130	T/C	Yes	115
3131	T/C	Yes	230
3140	IR	Yes	115
3141	IR	Yes	230

*T/C is a thermal conductivity sensor.
IR is an infrared sensor.

**All units are 50/60 Hz.

MANUAL NUMBER 7043110

13	24612/IN-3792	8/12/10	Updated schematics w ith VWR models	ccs
12	25584	8/5/09	Updated RH low alarm ringback time from 30 to 15 minutes	ccs
11	25248/IN3945	6/09/09	Updated drawer specs - sliding and stationary	ccs
10	25020/IN-3881	4/27/09	Updated 3110-201-1 to rev 10, pg 8-5 & 8-6, updated elec schematics	ccs
--	25118/IN-3881	4/27/09	Gasket part number from 103065 to 191534, pg 8-1	ccs
9	25359/IN-3913	3/11/09	Updated part number of inner heated door to 190730 from 190630	ccs
8	25301/25303	2/16/09	Updated motor part number in Spare Parts list from 156126 to 1900071, UL decom	ccs
7	24975	12/10/08	Updated water specs on pages 1-10 and 1-11	ccs



Important Read this instruction manual. Failure to read, understand and follow the instructions in this manual may result in damage to the unit, injury to operating personnel, and poor equipment performance. ▲

Caution All internal adjustments and maintenance must be performed by qualified service personnel. ▲

Material in this manual is for information purposes only. The contents and the product it describes are subject to change without notice. Thermo Scientific makes no representations or warranties with respect to this manual; no event shall Thermo be held liable for any damages, direct or incidental, arising out of or related to the use of this manual.

©2003 Thermo Scientific. All rights reserved.



Important operating and/or maintenance instructions. Read the accompanying text carefully.



Potential electrical hazards. Only qualified persons should perform procedures associated with this symbol.



Equipment being maintained or serviced must be turned off and locked off to prevent possible injury.



Hot surface(s) present which may cause burns to unprotected skin, or to materials which may be damaged by elevated temperatures.



Marking of electrical and electronic equipment, which applies to electrical and electronic equipment falling under the Directive 2002/96/EC (WEEE) and the equipment that has been put on the market after 13 August 2005.



This product is required to comply with the European Union's Waste Electrical & Electronic Equipment (WEEE) Directive 2002/96/EC. It is marked with the WEEE symbol. Thermo Scientific EUWELXU has contracted with one or more recycling/disposal companies in each EU Member State European Country, and this product should be disposed of or recycled through them. Further information on Thermo's compliance with this directive, the recyclers in your country and information on Thermo products will be available at www.thermo.com.

- ✓ Always use the proper protective equipment (clothing, gloves, goggles, etc.)
- ✓ Always dissipate extreme cold or heat and wear protective clothing.
- ✓ Always follow good hygiene practices.
- ✓ Each individual is responsible for his or her own safety.

Do You Need Information or Assistance on Thermo Scientific Products?

If you do, please contact us 8:00 a.m. to 6:00 p.m. (Eastern Time) at:

1-740-373-4763	Direct
1-800-438-4851	Toll Free, U.S. and Canada
1-877-213-8051	FAX
http://www.thermoscientific.com	Internet Worldwide Web Home Page
service.led.marietta@thermofisher.com	Service E-Mail Address

Our **Sales Support** staff can provide information on pricing and give you quotations. We can take your order and provide delivery information on major equipment items or make arrangements to have your local sales representative contact you. Our products are listed on the Internet and we can be contacted through our Internet home page.

Our **Service Support** staff can supply technical information about proper setup, operation or troubleshooting of your equipment. We can fill your needs for spare or replacement parts or provide you with on-site service. We can also provide you with a quotation on our Extended Warranty for your Thermo Scientific products.

Whatever Thermo Scientific products you need or use, we will be happy to discuss your applications. If you are experiencing technical problems, working together, we will help you locate the problem and, chances are, correct it yourself...over the telephone without a service call.

When more extensive service is necessary, we will assist you with direct factory trained technicians or a qualified service organization for on-the-spot repair. If your service need is covered by the warranty, we will arrange for the unit to be repaired at our expense and to your satisfaction.

Regardless of your needs, our professional telephone technicians are available to assist you Monday through Friday from 8:00 a.m. to 6:00 p.m. Eastern Time. Please contact us by telephone or fax. If you wish to write, our mailing address is:

Thermo Fisher Scientific
401 Millcreek Road, Box 649
Marietta, OH 45750

International customers, please contact your local Thermo Scientific distributor.

Warranty Notes

Information You Should Know Before Requesting Warranty Service

- **Locate the model and serial numbers.** A serial tag is located on the unit itself.
- For equipment service or maintenance, or with technical or special application inquiries, contact Technical Services at 1-800-438-4851 or 1-740-373-4763 (USA and Canada). Outside the USA, contact your local distributor.

Repairs NOT Covered Under Warranty

- **Calibration of control parameters.** Nominal calibrations are performed at the factory; typically $\pm 1^{\circ}\text{C}$ for temperature, $\pm 1\%$ for gases, and $\pm 5\%$ for humidity. Our service personnel can provide precise calibrations as a billable service at your location. Calibration after a warranty repair is covered under the warranty.
- **Damage resulting from use of improper quality water, chemicals or cleaning agents detrimental to equipment materials.**
- **Service calls for improper installation or operating instructions.** Corrections to any of the following are billable services:
 - 1) electrical service connection
 - 2) tubing connections
 - 3) gas regulators
 - 4) gas tanks
 - 5) unit leveling
 - 6) room ventilation
 - 7) adverse ambient temperature fluctuations
 - 8) any repair external to the unit
- **Damage resulting from accident, alteration, misuse, abuse, fire, flood, acts of God, or improper installation.**
- **Repairs to parts or systems resulting from unauthorized unit modifications.**
- **Any labor costs other than that specified during the parts and labor warranty period, which may include additional warranty on CO₂ sensors, blower motors, water jackets, etc.**

Table of Contents

Section 1	Installation and Start-Up	1-1
	Name and Description of Parts	1-1
	Control Panel Keys, Displays & Indicators	1-2
	Control Panel Operation	1-3
	Displays	1-3
	Installing the Unit	1-4
	Stacking the Incubators	1-4
	Preliminary Cleaning	1-6
	Installing the Access Port Filter	1-7
	Installing Air Sample Filter	1-7
	Installing HEPA Filter	1-7
	Installing Shelves	1-8
	Leveling the Unit	1-8
	Connecting Unit to Electrical Power	1-9
	Filling Water Jacket	1-9
	Filling Humidity Pan	1-10
	Connecting CO ₂ or N ₂ Gas Supply	1-12
	Incubator Start-Up	1-13
	Setting the Operating Temperature	1-14
	Setting the Overtemp Setpoint	1-14
	Setting CO ₂ Setpoint	1-15
	Setting O ₂ Setpoint	1-16
Section 2	Calibration	2-1
	Calibrating the Temperature	2-1
	Temperature Stabilization Periods	2-2
	Calibrating T/C CO ₂ System	2-2
	T/C CO ₂ Sensor Stabilization Periods	2-3
	Calibrating Infra-Red CO ₂ System	2-3
	IR CO ₂ Sensor Stabilization Times	2-4
	Calibrating the O ₂ System	2-4
	O ₂ Calibration at 20.7%	2-5
	O ₂ Offset Calibration	2-5
	Calibrating Relative Humidity	2-6
	Relative Humidity Stabilization Times	2-6

Section 3	Configuration	3-1
	Turning the Audible Alarm ON/OFF	3-1
	New HEPA Filter	3-1
	Setting the REPLACE HEPA Filter Reminder	3-2
	Setting an Access Code	3-2
	Setting Low Temp Alarm Limit	3-3
	Setting High Temp Alarm Limit	3-3
	Enabling Temp Alarms to Trip Contacts	3-4
	Setting Low CO ₂ Alarm Limit	3-4
	Setting High CO ₂ Alarm Limit	3-4
	Enabling CO ₂ Alarms to Trip Contacts	3-5
	Setting New Zero # for T/C CO ₂ Sensors	3-5
	Setting New Span # for T/C CO ₂ Sensors	3-6
	Setting a Low RH Alarm Limit	3-7
	Enabling RH Alarms to Trip Contacts	3-7
	Setting a Low O ₂ Alarm Limit	3-7
	Setting a High O ₂ Alarm Limit	3-8
	Enabling O ₂ Alarms to Trip Contacts	3-8
	Enabling Temp/RH to be Displayed	3-9
	Enabling CO ₂ /O ₂ to be Displayed	3-9
	Selecting a Primary Tank (Gas Guard)	3-10
	Disabling the Gas Guard System	3-10
	Setting a RS485 Address (1535 Only)	3-10
Section 4	Alarms	4-1
	Inner Door Open Alarm	4-2
	Sensor Fault Alarms	4-2
	REPL O ₂ SNSR	4-2
	O ₂ SNSR ERR	4-2
	REPL IR SNSR	4-2
	CO ₂ SNSR ERR	4-3
	IR AUTOZ ERR	4-3
Section 5	Routine Maintenance	5-1
	Cleaning the Interior	5-1
	Cleaning Cabinet Exterior	5-4
	Cleaning Humidity Pan	5-4
	Reversing the Door Swing	5-4
	Reversing Hinges for Exterior Door	5-4
	Replacing Fuses	5-8
	HEPA Filter Maintenance	5-10
	Replacing Air Sample Filter	5-10
	Replacing Access Port Filter	5-10
	Draining Water Jacket	5-10

Section 5 (continued)	O ₂ Sensor Fuel Cell - Models 3130/3131, 3140/3141	5-11
	Replacing O ₂ Sensor -Models 3130/3131, 3140/3141	5-11
	Adding /Replenishing Rust Inhibitor	5-12
Section 6	Factory Installed Options	6-1
	Remote Alarm Contacts	6-1
	Connecting the RS485 Interface (190523)	6-2
	Connecting Analog Output Boards	6-2
	Gas Guard for CO ₂ or N ₂ (190640/190642)	6-4
	Connecting CO ₂ Gas Supplies	6-5
	Connecting N ₂ Gas Supplies	6-5
	De-activating Built-in Gas Guard	6-5
	Operation of CO ₂ or N ₂ Gas Guard	6-6
	Humidity Readout (190643)	6-7
	Cooling Coil	6-8
	Installing Cooling Coil Incubator	6-9
Section 7	Specifications	7-1
	Unit Attachment Location	7-4
	Unit Center of Gravity Locations	7-5
Section 8	Spare Parts	8-1
	All Models	8-1
	Spare Parts - 230V	8-2
	Spare Parts - IR or O ₂	8-2
	Spare Parts - Gas Guard	8-2
	Spare Parts - Humidity Readout	8-2
	Spare Parts - Data Output Options	8-2

Electrical Schematics

Warranty Information

Section 1 Installation and Start-Up

Name and Description of Parts

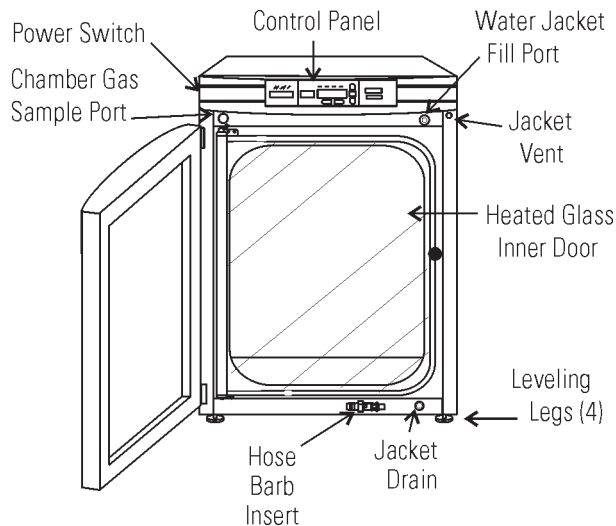


Figure 1-1. Water Jacket Incubator

- Outer Door - Reversible to opposite swing (Section 5).
- Heated Inner Door - Keeps chamber interior dry. Reversible to opposite swing (Section 5).
- Chamber Gas Sample Port - Used for sampling chamber CO₂ content, using a Fyrite or similar instrument. Cap when controlling O₂.
- Main Power Switch
- Control Panel - Keypad, Displays and Indicators (Figure 1-2).
- Fill Port - Used for filling the water jacket.
- Water Jacket Vent- Do not cover! Allows air to escape from the water jacket during filling and normal expansion and contraction when the incubator heats or cools.
- Leveling Legs - Used to level the unit.
- Water Jacket Drain – Use hose barb insert included.

Note The incubators are stackable. Instructions follow in this section. ▲

Control Panel Keys, Displays & Indicators

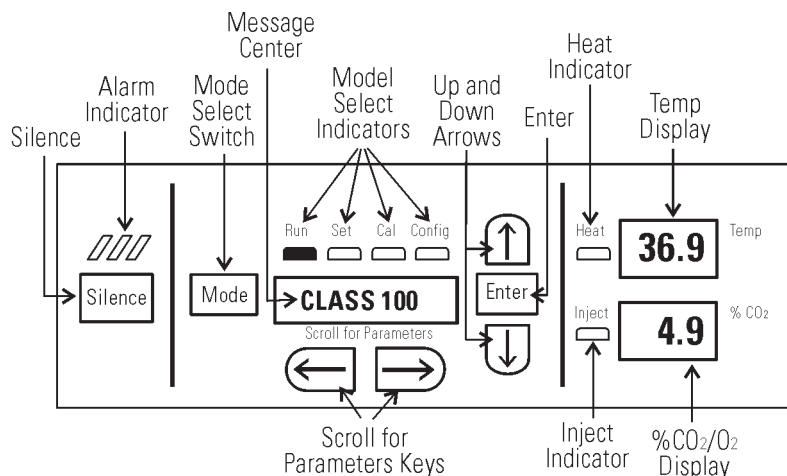


Figure 1-2. Control Panel

- Silence - Silences the audible alarm.
- Alarm Indicator - Pulses on/off during an alarm condition in the cabinet.
- MODE Select Switch - Used to select Run, Setpoints, Calibration and System Configuration Modes.
- Message Center - Displays system status.
- Mode Select Indicators -
 - Run: Run Menu
 - Set: Set Points Menu
 - Cal: Calibrate Menu
 - Config: Configuration Menu
- Up and Down Arrows: Increases or decreases number parameter values, toggles choice parameter values.
- Enter: Accepts changes to calibration settings
- Heat: Lights when power is applied to heaters.
- Temp: Can be programmed to display temperature continuously, RH continuously (with RH option), or toggle between temperature and humidity (with RH option). See Configuration Section.
- Scroll for Parameters: Scrolls through parameters of selected mode.
- Inject: Lights when gas is injected into the chamber. If the %CO₂/O₂ display is continuously displaying CO₂, the light indicates CO₂ injection only. If the %CO₂/O₂ display is continuously displaying O₂, the light indicates N₂ injection. If the %CO₂/O₂ is toggling, either a CO₂ or N₂ injection causes the indicator to light.
- %CO₂/O₂: Can be programmed to display CO₂ continuously or O₂ continuously (on units equipped with O₂), or toggle between CO₂ and O₂ (on units equipped with O₂) See Configuration Section.

Control Panel Operation

The Model 3100 Series water jacket incubator has four basic modes, which allow incubator setup. The modes are as follows: Run, Setpoints, Calibration and System Configuration.

- Run is the default mode that the incubator will normally be in during operation.
- Set is used to enter system setpoints for incubator operation.
- Cal is used to calibrate various system parameters to the customer's satisfaction.
- Config is the system configuration mode that allows for custom setup of various options.

Scroll for Parameters Arrow Keys: Steps the operator through the parameters of SET, CAL and CONFIG Modes. The right arrow goes to the next parameter, the left arrow returns to the previous parameter.

Up Arrow: Increases or toggles the parameter value that has been selected in the SET, CAL, and CONFIG Modes.

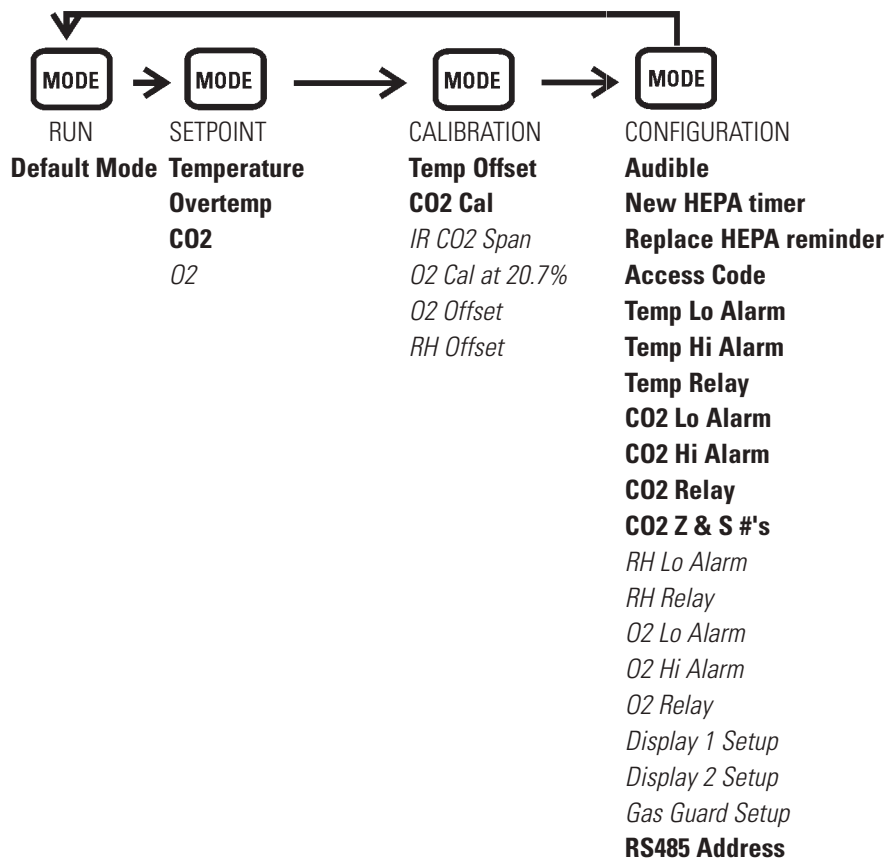
Enter: Must press Enter key to save to memory all changed values.

Down Arrow: Decreases or toggles the parameter values that have been selected in the SET, CAL and CONFIG Modes.

Silence Key: Press to silence the audible alarm. See Section 4 for alarm ringback times.

Message Center: Displays the system status (Mode) at all times. Displays CLASS 100 or SYSTEM OK during normal operation, or alarm messages if the system detects an alarm condition. See Section 4, Alarms. The display message CLASS 100 is a timing mechanism indicating that, under normal operating conditions with the HEPA filter installed, the air inside the chamber meets the Class 100 air cleanliness standard for particulates of 0.5 micron size or larger per cubic foot of air. (For further information on the Class 100 classification of air quality, see Appendix A.)

Upper and Lower Displays: These 7-segment displays vary depending upon the options present and the configuration chosen. The upper display can display temp or RH, or toggle between them. The bottom display can display CO₂ or O₂, or toggle between them. See Section 3, Configuration.



Base Unit Displays

Option Displays

Installing the Unit

1. Locate the unit on a firm, level surface capable of supporting the unit's operational weight of 365 lbs. (166kg).
2. Locate away from doors and windows and heating and air conditioning ducts.
3. Maintain a three inch clearance behind the unit for electrical and gas hook-up. In addition, a three inch ventilation clearance is needed on each side.
4. If desired, refer to attachment and center-of-gravity information in Section 7.

Stacking the Incubators

Warning If the units have been in service, disconnect the power cord connector and drain the water jacket of the designated top unit before stacking. ▲

Note Stacking brackets (shown at right) stacking bolts, washers, and bolts for stacking are included with each unit. ▲

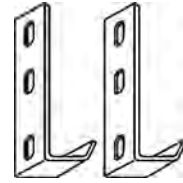


Figure 1-3. Stacking brackets

1. Designate one incubator to be the top unit and the other as the bottom unit. Remove the base cover plate from the top unit using the finger holes in the base or using a slotted screwdriver (Figure 1-4)

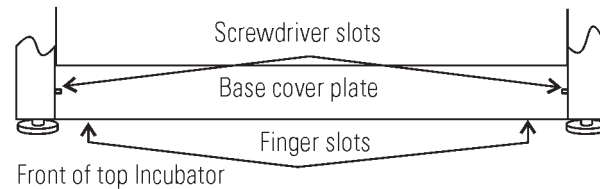


Figure 1-4. Remove Base Cover Plate

2. Note the two slots in the base of the incubator which accommodate the stacking bolts. Refer to Figure 1-5.

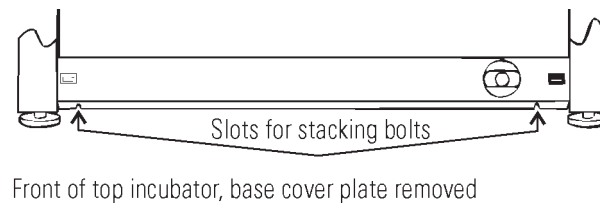


Figure 1-5. Stacking Bolt Slots

3. Remove the two plastic plugs from the bolt holes in the exterior top of the bottom unit. Install the 1/2" long 5/16-18 stacking bolts and washers into the bolt holes - do not tighten the bolts at this time. Refer to Figure 1-6.

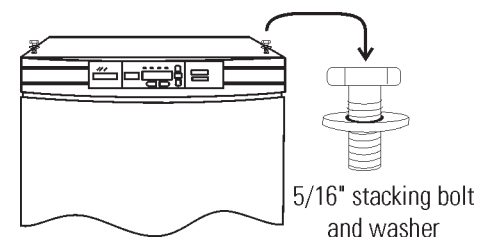


Figure 1-6. Bolt Holes

4. Unscrew and remove the leveling feet from the top unit and lift it onto the bottom unit, off-setting the base of the top unit approximately 2-3 inches behind the stacking bolts and washers.

Warning This incubator weighs 265 lbs (120kg) before filling. Have sufficient personnel to lift it. ▲

5. Align the sides of the top unit and bottom unit and slide the top unit forward until the slots in the base of the top unit align with the 5/16" - 18 stacking bolts in the exterior top of the bottom unit (Figure 1-7).

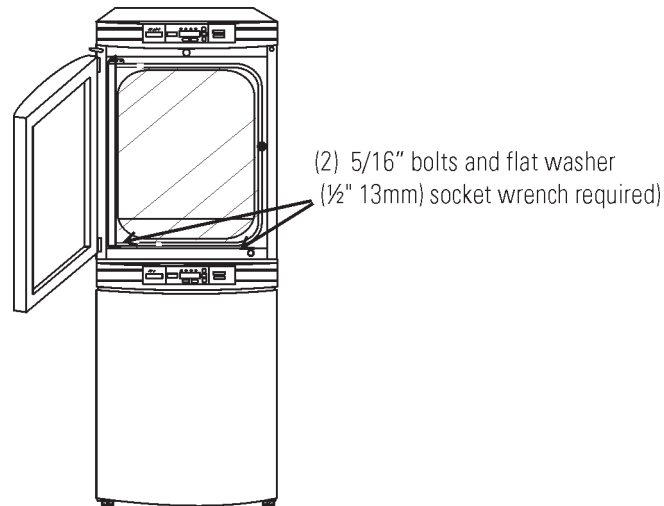


Figure 1-7. Align Slots and Bolts

6. Remove and save the two screws from the back of the control panel on the bottom unit as identified in Figure 1-8.

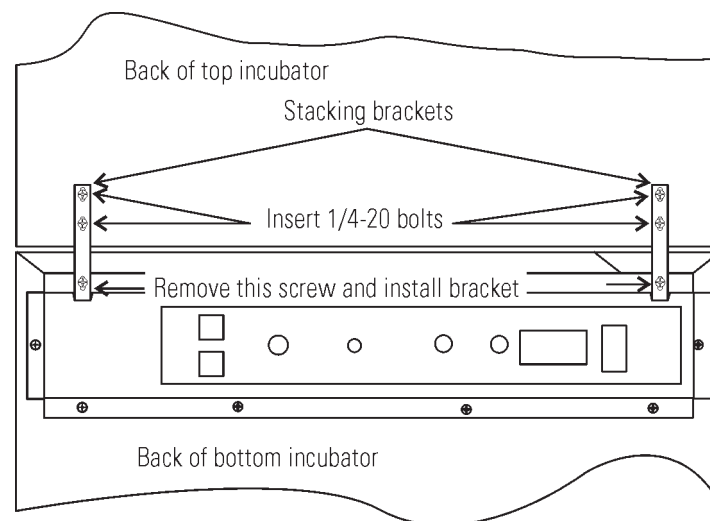


Figure 1-8. Two Screws From Control Panel Back

7. Insert the stacking brackets into the slots on the rear of the control panel of the bottom unit as shown in Figure 1-5. Align the slots in the brackets with the mounting holes on the rear of the incubators. Secure the brackets with the screws saved above and the 1/4-20 bolts provided in the stacking kit. A 7/16" wrench or socket is required for the bolts.
8. Secure the base of the top unit to the exterior top of the bottom unit by tightening the 5/16-18 stacking bolts using a 1/2" (13mm) wrench or suitable tool.
9. Replace the base cover on the top unit.
10. The stacked units are ready to be placed into service.

Note If desired, refer to center-of-gravity and attachment information in Section 7. ▲

Preliminary Cleaning

1. Remove the protective plastic coating on the shelf supports, duct sheets, and air duct, if present.
2. Using a suitable laboratory disinfectant, thoroughly clean all interior surfaces including shelves and shelf supports, door gaskets, blower wheel and CO₂ sensor. Refer to Section 5.

Caution Before using any cleaning or decontamination method except those recommended by the manufacturer, users should check with the manufacturer that the proposed method will not damage the equipment. Accidental spills of hazardous materials on or inside this unit are the responsibility of the user. ▲

Installing Access Port Filter

Locate the opening in the top left corner of the interior chamber. Remove the tape from the opening on the outside of the unit. Locate the stopper with filter in the hardware bag. Install in the opening inside the chamber. See Figure 1-9.

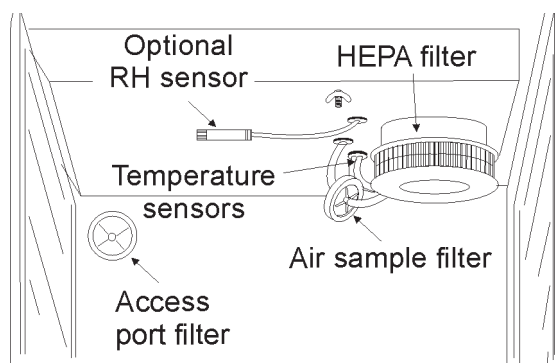


Figure 1-9. Filter and Sensor Locations

Installing Air Sample Filter

1. Remove the filter from the shipping bag.
2. Separate one section of the tubing from the filter. Install this section to the fitting on the blower plate.
3. After installing the top duct, connect the filter assembly to the tubing coming through the top duct.
4. Insert the free end of the air sample filter tubing into the larger hole in the back of the blower scroll. See Figure 1-9 for completed configuration.

Installing HEPA Filter

1. Remove the filter from the shipping box.
2. Remove the plastic coating from the filter, using caution not to touch the filter media.
3. Install the filter as shown in Figure 1-9.
4. To set-up an automatic REPLACE HEPA reminder, see Section 3.

Caution The media of the filter can be damaged if mishandled. To avoid damage to the incubator, do not operate the unit without the HEPA filter in place. ▲

Installing Shelves

1. Install the side ducts with the tabs facing into the center of the chamber with their slots up. There are no right side or left side ducts, simply rotate one of them to fit the opposite side. Tilt the side ducts as they are placed in the chamber so the tops fit into the top air duct, then guide them into the vertical position. Figure 1-10 shows the duct as it would be oriented for the right side of the chamber.
2. Referring to Figure 1-10, note that there is no difference between left and right side shelf channels.

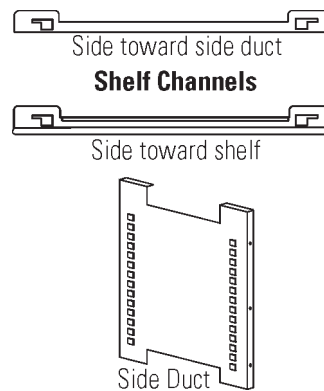


Figure 1-10. Shelf Channels and Side Duct

3. Install the shelf channels by placing the channel's rear slot over the appropriate rear tab on the side duct. Pull the shelf channel forward and engage the channel's front slot into the side duct's appropriate forward tab. Refer to Figure 1-11.

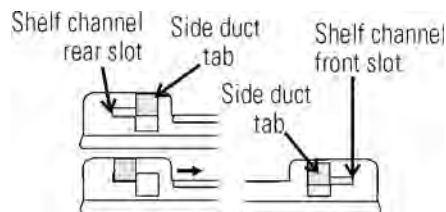


Figure 1-11. Slot and Tab

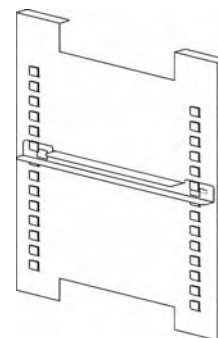


Figure 1-12. Channel Installed

4. Figure 1-12 shows one of the channels installed on the right side duct.

Leveling the Unit

Check the unit for being level by placing a bubble-style level on one of the shelves. Turn the hex nut on the leveler counterclockwise to lengthen the leg, or clockwise to shorten it. Level the unit front-to-back and left-to-right.

Connecting Unit to Electrical Power

See the serial tag on the side of the unit for electrical specifications, or refer to the electrical schematics in Section 9 of this manual.

Warning Connect the incubator to a grounded dedicated circuit only. The power cord connector is the mains disconnect device for the incubator. Position the unit so that it can be easily disconnected. ▲

Plug the provided power cord into the power inlet connector (Figure 1-13) and into the grounded dedicated circuit.

Electrical Specifications:

Models 3110, 3120, 3130, 3140 - 115V, 50/60Hz, 3.6A, 1 PH, 2W

Models 3111, 3121, 3131, 3141 - 230V, 50/60Hz, 2.0A, 1 PH, 2W

Filling Water Jacket

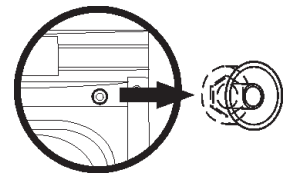
Turn the power switch on. ADD WATER will appear in the message center. Press the Silence key to silence the alarm.

Note that the fill port has a plug that must be removed before filling and replaced after filling is complete.

Caution Chlorine is detrimental to stainless steel. Using chlorinated tap water or additives that contain chlorine will void water-jacket warranty! ▲

Fill the water jacket with 11.7 gallons (43.5 liters) of pure water. Silicone tubing and a funnel are shipped in the accessory bag with the unit.

For ease of connecting/disconnecting, use the silicone tubing provided to connect directly to the fill port. See Figure 1-1 and this detail. Do not install vinyl tubing directly onto the fill port as it may be difficult to remove. A 3/8" to 3/8" hose connector has been provided to attach lengths of vinyl tubing to the silicone fill port tubing, to reach the pure water source.



Detail 1

When the jacket is full, the audible alarm will sound a continuous tone for 10 seconds and the alarm condition will be cleared. Refer to Section 4, Table of Alarms.

Note Model 3100 Series Water Jacket Incubator is shipped from the factory with a rust inhibitor added to the water inside the unit. The rust inhibitor must be replenished every 2 years. See Section 5 to drain the water jacket and for the correct proportion of rust inhibitor to the water. ▲

Filling Humidity Pan

For best operation of the incubator, sterilized distilled, demineralized or de-ionized water should be used in the humidity pan. Water purity should be in the resistance range of 50K to 1M Ohm/cm, or a conductivity range of 20.0 to 1.0 uS/cm. Refer to ASTM Standard D5391-93 or D4195-88 for measuring water purity.

Distillation systems, as well as some types of reverse osmosis water purity systems, can produce water in the quality range specified. Tap water is not recommended as it may contain chlorine, which can deteriorate the stainless steel. Tap water may also have a high mineral content, which would produce a build-up of scale in the pan. High purity or ultra pure water is not recommended as it is an extremely aggressive solvent and will deteriorate the stainless steel. High purity water has a resistance of above 1M to 18M Ohm. Even high purity water can contain bacteria and organic contaminants. Water should always be sterilized or treated with a decontaminant, safe for use with stainless steel as well as safe for the product, prior to being introduced into the humidity pan.

Caution Use of chlorinated water, or decontamination products containing chlorine, will deteriorate the stainless steel and cause rust, voiding the warranty. ▲

Fill the humidity pan to within 1/2 inch of the top with sterile, distilled water. Place the pan directly on the incubator floor to ensure optimum humidity and temperature response.

For applications requiring higher humidity conditions, the pan should be placed against the left side wall of the incubator. The ductwork has been modified for this purpose. Also, on CO₂ control models, the CO₂ sample port may be capped to assist in achieving greater RH. In some ambients, this may cause condensation to form in the chamber.

On CO₂ and O₂ control models, the gas sample port must be capped for proper O₂ control. It is recommended that the humidity pan be placed against the left side wall of the chamber to aid humidity recovery after door openings.

Check the level and change the water frequently to avoid contamination. Do not allow the water level to fluctuate significantly. “Dry-outs” will have an adverse effect on the humidity level as well as CO₂ calibration.

Connecting CO₂ or N₂ (O₂ System) Gas Supply

Warning High concentrations of CO₂ gas can cause asphyxiation! OSHA Standards specify that employee exposure to carbon dioxide in any eight-hour shift of a 40-hour work week shall not exceed the eight-hour time weighted average of 5000 PPM (0.5% CO₂). The short term exposure limit for 15 minutes or less is 30,000 PPM (3% CO₂). Carbon dioxide monitors are recommended for confined areas where concentrations of carbon dioxide gas can accumulate. ▲

Warning High concentrations of N₂ gas can cause asphyxiation! N₂ and CO₂ can displace oxygen levels in a confined atmosphere. The first signs of hypoxia occur when oxygen levels fall below 17%. They include decreased night vision, increased breathing volume and accelerated heartbeat. Oxygen levels below 6% cause death. Oxygen monitors are recommended for confined areas where concentrations of N₂ or CO₂ may displace oxygen. ▲

The CO₂ gas supply being connected should be industrial grade 99.5% pure and should not contain siphon tubes. The N₂ gas supply being connected should be 99.99% pure. Do not use liquid nitrogen.

Install a two-stage pressure regulator at the cylinder outlet. The high pressure gauge at the tank should have 0-2000 psig range and the low pressure gauge, at the incubator inlet, should have a 0-30 psig range. Input pressure to incubator must be maintained at 15 psig (103.4 kPa), ±5 psig.

The incubator has serrated fittings on the back of the cabinet to connect the gas supply. Refer to Figure 1-13. The fitting is labeled CO₂ Inlet #1 Tank. The N₂ Inlet is also labeled. Make sure that the connections are secured with clamps. Check all fittings for leaks.

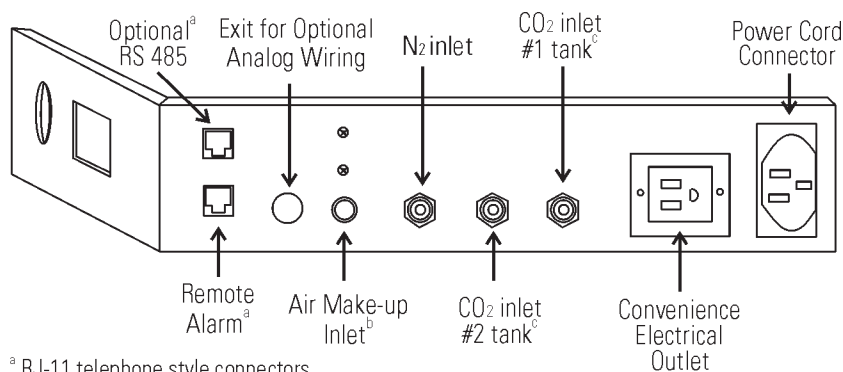


Figure 1-13. Back Panel and All Connections

For units having the CO₂ or N₂ Gas Guard option, see Section 6.

Warning This incubator is designed to be operated with CO₂ gas, or N₂ in those units with an O₂ control system. Connecting a flammable or toxic gas can result in a hazardous condition.

Gases other than CO₂ or N₂ should not be connected to this equipment. CO₂ gas cylinders have UN1013 labeled on the cylinder and are equipped with a CGA 320 outlet valve. N₂ compressed gas cylinders have UN1066 labeled on the cylinder and are equipped with a CGA 580 outlet valve. Check the gas cylinder for the proper identification labels.

The CO₂ gas supply being connected to the incubator should be industrial grade, 99.5% pure. Do not use CO₂ gas cylinders equipped with siphon tubes. A siphon tube is used to extract liquid CO₂ from the cylinder, which can damage the pressure regulator. Consult with your gas supplier to ensure that the CO₂ cylinder does not contain a siphon tube. The N₂ gas supply being connected to the incubator should be 99.99% pure. Do not use liquid nitrogen. Gas cylinders should be secured to a wall or other stationary object to prevent tipping.

A two-stage pressure regulator is required to be installed on the outlet valve of the gas cylinder. Input pressure to the incubator must be maintained at 15 psig (103.4kPa) for proper performance of the CO₂ or O₂ control system. (A single stage pressure regulator will not maintain 15 psig (103.4kPa.)

If higher purity CO₂ is desired inside the incubator (greater than 99.5% pure), the pressure regulator should be constructed with a stainless steel diaphragm along with specifying the purity of the CO₂ from the gas supplier. Follow the manufacturer's instructions to ensure proper and safe installation of the pressure regulator on the gas cylinder. Consult your facility safety officer to ensure that the equipment is installed in accordance with the codes and regulations that are applicable in your area. ▲

Incubator Start-Up

Now that the incubator has been properly installed, connected to power, filled with water, humidity pan filled, and connected to gas supplies, system setpoints can be entered. The following setpoints can be entered in set mode: temperature, over temperature, CO₂, and O₂. To enter Set Mode, press the Mode key until the Set indicator lights. Press the right and/or left arrow keys until the proper parameter appears in the message center. See Chart 1-1 for more detail.

Setting the Operating Temperature

Incubator Models 3110, 3111 have an operating temperature range of 10 to 55°C, Models 3120, 3121 at 10 to 50°C, and Models 3130, 3131, 3140, and 3141 at 10 to 45°C. All units require the cooling coil option to run at any temperature lower than 5°C above ambient. The incubator is shipped from the factory with a temperature setpoint of 10°C. At this setting all heaters are turned off.

To change the operating temperature setpoint:

1. Press the Mode key until the Set indicator lights.
2. Press the right arrow until Temp XX.X is displayed in the message center.
3. Press the up/down arrow until the desired temperature setpoint is displayed.
4. Press Enter to save the setpoint.
5. Press the Mode key until the Run Indicator lights to go to Run mode or right/left to go to next/previous parameter.

Setting the Overtemp Setpoint

Caution The independent overtemp circuit is designed as a safety to protect the incubator only. It is not intended to protect or limit the maximum temperature of the cell cultures or customer's equipment inside the incubator if an overtemp condition occurs. ▲

The incubator is equipped with an independent circuit that monitors the air temperature in the cabinet. The independent overtemp circuit is designed as a safety for the incubator only. Should the system's temperature control fail, this circuit would cut out all heaters when the cabinet's temperature reaches the Overtemp setpoint. When an incubator is operating in an overtemp condition, the temperature control in the incubator will be $\pm 1^\circ\text{C}$ around the overtemp setpoint.

The overtemp's function is to prevent abnormally high temperatures that will occur if the heaters are locked on as a result of a failure in the main temperature control. Although the overtemp circuit will control the chamber temperature close to the overtemp setpoint, it is not intended to protect or limit the maximum temperature of the cell cultures or the equipment inside the chamber when the overtemp condition occurs.

The factory setting for the Overtemp is 40°C. It can be set over a range of temp setpoint +0.5°C to 60°C. If the temperature setpoint is moved above the Overtemp setpoint, the Overtemp will automatically update to 1.0°C + the temp setpoint. It is recommended that the Overtemp setpoint be 1°C over the temp setpoint.

To set the Overtemp setpoint:

1. Press the Mode key until the Set indicator lights.
2. Press the right arrow until Otemp XX.X is displayed in message center.
3. Press the up/down arrow until the desired Overtemp setpoint is displayed.
4. Press Enter to save the setpoint.
5. Press the Mode key until the Run Indicator lights to go to Run mode or right/left to go to next/previous parameter.

Setting CO₂ Setpoint

All T/C CO₂ cells are precalibrated at the factory at 37°C, high humidity, and 10% CO₂. Therefore, if a temperature setpoint of 37°C has been entered, the humidity pan filled, and the CO₂ control is to run between 0-10% with a T/C CO₂ sensor, the CO₂ setpoint may be entered immediately. Otherwise, it is important to allow the unit 12 hours to stabilize at the temperature setpoint before entering the CO₂ setpoint.

All models of the incubator have a CO₂ setpoint range of 0.0% to 20.0%. The incubator is shipped from the factory with a CO₂ setpoint of 0.0%. At this setting, all CO₂ control and alarms are turned off.

To change the CO₂ setpoint:

1. Press the Mode key until the Set indicator lights.
2. Press the right arrow until CO₂ XX.X is displayed in message center.
3. Press the up/down arrow until the desired CO₂ setpoint is displayed.
4. Press Enter to save the setpoint.
5. Press the Mode key until the Run Indicator lights to go to Run mode or right/left to go to next/previous parameter.

Section 1

Installation and Start-Up

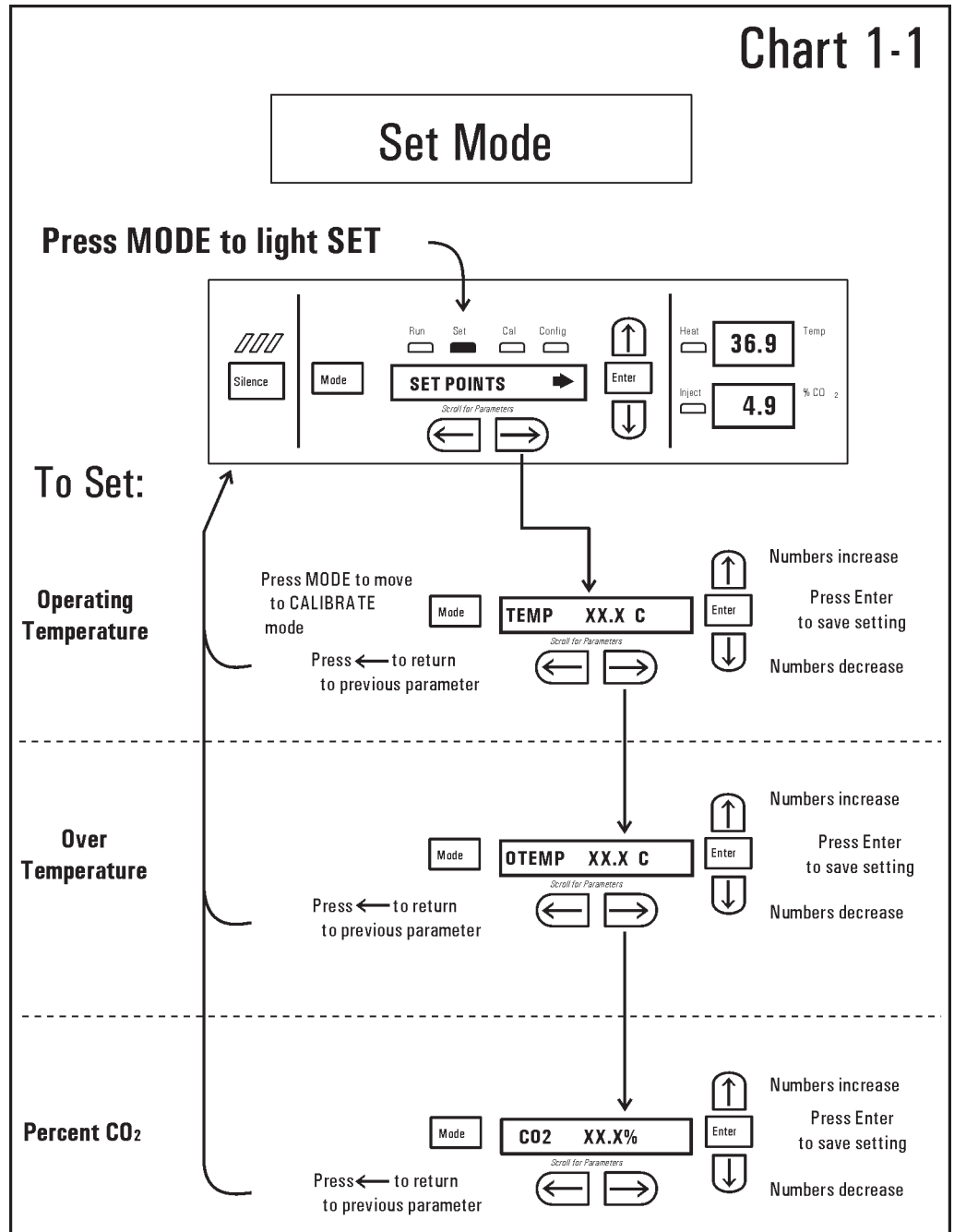
Setting O₂ Setpoint

Models 3130, 3131, 3140, and 3141 of the incubator have a built-in O₂ control system. The O₂ setpoint range is 1.0% to 21.0%. The incubator is shipped from the factory with a O₂ setpoint of 21.0%. At this setting, all O₂ control and alarms are turned off. The gas sample port must be capped when running controlled O₂ levels.

To change the O₂ setpoint:

1. Press the Mode key until the Set indicator lights.
2. Press the right arrow until O₂ XX.X is displayed in the message center.
3. Press the up/down arrow until the desired O₂ setpoint is displayed.
4. Press Enter to save the setpoint.
5. Press the Mode key until the Run Indicator lights to go to Run mode or right/left to go to next/previous parameter.

Chart 1-1



Section 2 Calibration

After the unit has stabilized, several different systems can be calibrated. In the Calibration Mode, the air temperature, CO₂ reading, O₂ reading, and RH reading can all be calibrated to reference instruments. To enter Calibration Mode, press the Mode key until the CAL indicator lights. Press the right and/or left arrow until the proper parameter appears in the message center. See Chart 2-1 for more detail.

Calibration frequency is dependent on use, ambient conditions, and accuracy required. Good laboratory practice would require at least an annual calibration check. On new installations, all parameters should be checked after the stabilization period. When using O₂ controls, all parameters should be checked before each test experiment, or at least every 6 months.

Prior to calibration, the user should be aware of the following system functions. While the unit is in Calibration Mode, all system control functions will be stopped so that the unit remains stable. Readout of the system being calibrated will appear as “—” on the readout displays. If no keys are pressed for approximately five minutes while in Calibration Mode, the system will reset to Run Mode so that control functions can be reactivated.

Before making an calibration or adjustments to the unit, it is imperative that all reference instruments be properly calibrated.

Calibrating the Temperature

Place the calibrated instrument in the center of the chamber. The instrument should be in the airflow, not against the shelf. Before calibration, allow the cabinet temperature to stabilize.

Temperature Stabilization Periods

Start-Up - Allow 12 hours for the temperature in the cabinet to stabilize before proceeding.

Operating Unit - Allow at least two hours after the display reaches setpoint for the temperature to stabilize before proceeding.

1. Press the Mode key until the CAL indicator lights.
2. Press the right arrow until TEMPCAL XX.X appears in the message center.
3. Press the up/down arrow to match the display to a calibrated instrument.
4. Press Enter to store the calibration into memory.
5. Press the Mode key to return to Run, or the right/left arrow to go to the next/previous parameter.

Calibrating T/C CO₂ System

Models 3110, 3111, 3130 and 3131 have a thermal conductivity (T/C) CO₂ sensor. Thermal conductivity of the incubator atmosphere is not only effected by the quantity of CO₂ present, but also by the air temperature and the water vapor present in the incubator atmosphere. In monitoring the effects of CO₂, air temperature and absolute humidity must be held constant so any change in thermal conductivity is caused only by a change in CO₂ concentration.

Changing temperature or changing from elevated humidity levels to room ambient humidity levels would necessitate a recalibration of the CO₂ control.

Some T/C CO₂ sensors go through an aging period, especially on new installations. Calibration should be checked on a weekly basis, and adjusted as necessary. When stabilization occurs, checks can become less frequent.

T/C CO₂ Sensor Stabilization Periods

Start-up - The CO₂ sensor has been calibrated at the factory for 37°. Allow temperature, humidity, and CO₂ levels in the chamber to stabilize at least 12 hours before checking the CO₂ concentration with an independent instrument.

Presently operating - Make sure the chamber doors are closed. Allow at least 2 hours after the temperature and CO₂ displays reach their set-points for chamber atmosphere stabilization.

1. Make sure stabilization periods outlined above are followed.
2. Sample the chamber atmosphere through the sample port with an independent instrument. Sample the atmosphere at least 3 times to ensure the accuracy of the instrument.
3. Press the Mode key until the CAL indicator lights.
4. Press the right arrow until CO₂ CAL XX.X is displayed in the message center.
5. Press the up/down arrow to change the display to match the independent instrument.
6. Press Enter to store calibration.
7. Press the Mode key to return to Run Mode, or the right or left arrow keys to go to the next/previous parameter.

Calibrating Infra-Red CO₂ System

Models 3120, 3121, 3140 and 3141 have an infra-red CO₂ sensor. Infra-red CO₂ sensors are not effected by chamber atmosphere temperature or humidity. However, the light detector in the sensor is effected by wide temperature changes. Therefore, changing temperature setpoints could necessitate a recalibration of the CO₂. Chamber temperature should be allowed to stabilize before checking CO₂ concentrations with an independent instrument, especially on start-up.

All models equipped with an IR/CO₂ sensor have an automatic calibration that occurs every 24 hours, and lasts for 5 to 6 minutes. During automatic calibration, the CO₂ display is blanked out and HEPA filtered room air is pumped through the CO₂ sensor. A new CO₂ calibration value is stored in memory for use as the 0.0% CO₂ reference point. The keypad/ control panel is locked during calibration, with the message center reading CO₂ AUTO CAL.

IR CO₂ Sensor Stabilization Times

Startup- Allow the temperature and the CO₂ of the cabinet to stabilize at least 12 hours before proceeding.

Operating Unit - Allow CO₂ to stabilize at least 2 hours at setpoint before proceeding.

To ensure accurate calibration, the unit will not allow CO₂ to be spanned below 3%. If the cabinet does not contain at least 3% CO₂, increase the setpoint and allow the unit to stabilize before completing this procedure.

1. Measure the CO₂ concentration in the chamber through the gas sample port with a Fyrite or other independent instrument. Several readings should be taken to ensure accuracy.
2. Press the Mode key until the CAL indicator lights.
3. Press the right arrow until IR CAL XX.X appears in the message center.
4. Press the up/down arrow to adjust the display to match the independent instrument reading.
5. Press Enter to store calibration.
6. After Enter is pressed, the unit will go into a calibration cycle that lasts 5 to 6 minutes. Control panel is locked during this calibration cycle.
7. Press the Mode key to return to Run Mode.

Calibrating the O₂ System

Models 3130, 3131, 3140 and 3141 have an O₂ control sensor. The sensor is a fuel cell that puts out a linear millivolt signal based on O₂ content of the chamber. The fuel cell depletes over time depending on required O₂ levels, therefore the system should be calibrated before each test experiment, or at least every 6 months.

There are two methods available to calibrate the O₂ system.

- The preferred method calibrates the system to the known ambient O₂ value of 20.7% and checks the life of the sensor. This method should be used whenever a new sensor is installed.
- The second method available allows the system to be calibrated to an independent reference instrument by entering an offset.

O₂ Calibration at 20.7%

1. Press the Mode key until the CAL indicator lights.
2. Press the right arrow until the display reads O₂ CAL@20.7%.
3. Press Enter.
4. OPEN DOOR appears on the display. Open the outer and inner doors.
5. The display reads CALIBRATING.
6. When calibration is complete, approximately 2 minutes, an audible tone sounds and the display returns to O₂ CAL@20.7%.
7. The O₂ display will change to 20.7.
8. Press the Mode key to return to Run.

A new O₂ span value is stored in memory for use as the 20.7% O₂ reference point. The keypad/control panel is "locked-up" during calibration.

Caution If using an O₂ Fyrite, the accuracy of the instrument will be greatly affected by the concentration of CO₂ in the cabinet. Refer to the Fyrite operating manual. ▲

O₂ Offset Calibration

Startup - Allow the cabinet to stabilize at least 12 hours before proceeding.
Operating Unit - Allow O₂ to stabilize at least 2 hours at set point before proceeding.

Measure the O₂ concentration in the chamber through the gas sample port with an independent instrument. Take several readings to ensure accuracy.

1. Press the Mode key until the CAL indicator lights.
2. Press the right arrow until O₂ OFFS XX.X appears in the message center.
3. Press the up/down arrow to adjust display to independent instrument reading.
4. Press Enter to store calibration.
5. Press the Mode key to return to Run Mode.

Calibrating Relative Humidity

All Model 3100 Series incubators can be equipped with an optional direct readout relative humidity sensor. This is a readout only of the chamber relative humidity. It does not provide any control of the relative humidity in the cabinet.

Relative Humidity Stabilization Times

Startup - Allow 12 hours for the relative humidity and temperature in the chamber to stabilize before proceeding.

Operating Unit - Allow at least 2 hours after temperature display reaches setpoint for relative humidity to stabilize before proceeding.

1. Place an accurate independent instrument in the center of the chamber. Allow at least 30 minutes for RH to stabilize.
2. Press the Mode key until the CAL indicator lights.
3. Press the right arrow key until RH CAL XX appears in message center.
4. Press the up/down arrow to match the display to the independent instrument.
5. Press Enter to store the calibration.
6. Press the Mode key to return to Run Mode.

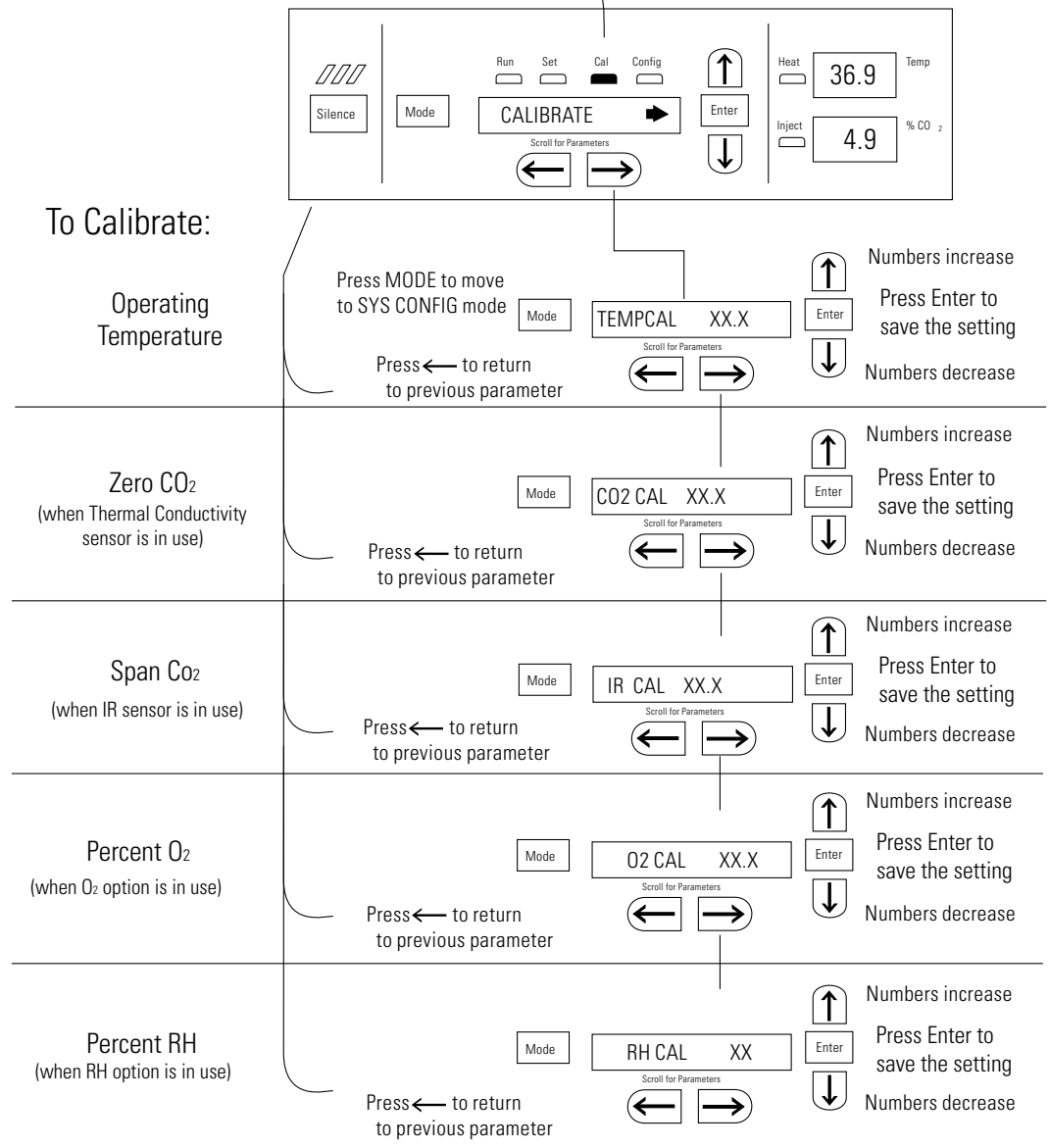
If a reliable RH measuring device is not available, the display may be calibrated to a typical level.

1. Follow the RH stabilization periods outlined above.
2. With a full humidity pan and stable temperature, the relative humidity in the chamber will be 95%.
3. Using Steps 3-5 of the relative humidity sensor adjustment above, adjust the display to 95%.
4. This calibration method should be accurate to within 5%.

Chart 2-1

Calibrate Mode

Press MODE to light CAL



Section 3 Configuration

There are many features available in Configuration Mode that allow custom setup of the incubator. These features are listed and described below. All features may not be necessary in all applications, but are available if needed. To enter Configuration Mode, press the Mode key until the Config indicator lights. Press the right or left arrow until the appropriate parameter appears in the message center. See Chart 3-1 for more detail.

Turning the Audible Alarm ON/OFF

The audible alarm can be turned on or off. The factory setting is ON.

1. Press the Mode key until the Config indicator lights.
2. Press the right arrow until Audible XXX is displayed in message center.
3. Press the up/down arrow to toggle Audible ON/OFF.
4. Press Enter to save the setting.
5. Press the Mode key to return to Run Mode or right/left to go to next/previous parameter.

New HEPA Filter

When the REPLACE HEPA reminder is displayed and the visual alarm flashes, the specified time has elapsed and the HEPA filter should be replaced. To clear the display and reset the timer after replacing the HEPA filter with a new one, follow the steps below.

1. Press the Mode key until the Config indicator lights.
2. Press the right arrow until NEW HEPA is displayed in message center.
3. Press Enter to restart the timer and clear the REPLACE HEPA alarm.
4. Press the Mode key to return to Run Mode.

Setting the REPLACE HEPA Filter Reminder

A HEPA filter replacement timer can be set for a specific amount of time, from 1 to 12 months of actual unit running time. Time will not accrue when the unit is turned off. The default time is 6 months. When the allotted time has run out, REPLACE HEPA appears in the display and the visual alarm flashes. To set the reminder, use the following procedure.

1. Press the Mode key until the Config indicator lights.
2. Press the right arrow until REPL HEPA XX is displayed.
3. Press the up/down arrow to choose the number of months desired.
4. Press Enter to save the number.
5. Press the Mode key to return to Run Mode or right/left to go to next/previous parameter.

Note After the reminder has been set, check the allotted time remaining by going to Config Mode, then pressing the right arrow until NEW HEPA XXX displays. This number is the remaining days before the filter replacement time specified runs out. For example, if 12 months was chosen in the REPL HEPA XX message screen, the NEW HEPA number would be 365 days. ▲

Setting an Access Code

A three-digit Access Code can be entered to avoid unauthorized personnel from changing the setpoints, calibration, or configuration. A setting of 000 will bypass the access code. The factory setting is 000.

1. Press the Mode key until the Config indicator lights.
2. Press the right arrow until Acc Code XXX is displayed in the message center.
3. Press the up/down arrow to change the access code.
4. Press Enter to save the access code.
5. Press the Mode key to return to Run Mode or right/left to go to next/previous parameter.

Setting Low Temp Alarm Limit

The low temp alarm limit (tracking alarm) is the deviation from the temperature setpoint, which will cause a low temp alarm. The low temp alarm is variable from 0.5° below setpoint to 5.0° below setpoint. The factory setting is 1.0° below setpoint. A minus sign (-) in the display indicates that the alarm setting is below the setpoint.

1. Press the Mode key until the Config indicator lights.
2. Press the right arrow until Temp LO -X.X is displayed in the message center.
3. Press the up/down arrow to change the low temp alarm limit.
4. Press Enter to save the low temp alarm limit.
5. Press the Mode key to return to Run mode or right/left to go to next/previous parameter.

Setting High Temp Alarm Limit

The high temp alarm limit (tracking alarm) is the deviation from the temperature setpoint that will cause a high temp alarm. It should be noted that this varies from the Overtemp setpoint, in that the Overtemp setpoint configures an independent system that monitors temperature and shuts down the system heaters if necessary. The high temp alarm limit is simply set to enable an audible and visual alarm that notifies the user of a problem. The high temp alarm is variable from 0.5° above setpoint to 5.0° above setpoint. The factory setting is 1.0° above setpoint.

1. Press the Mode key until the Config indicator lights.
2. Press the right arrow until Temp Hi X.X is displayed in the message center.
3. Press the up/down arrow to change the high temp alarm limit.
4. Press Enter to save the high temp alarm limit.
5. Press the Mode key to return to Run Mode or right/left to go to next/previous parameter.

Enabling Temp Alarms to Trip Contacts

High and Low temperature alarms can be programmed to trip the remote alarm contacts. A setting of ON will cause this, a setting of OFF will not allow temp alarms to trip the contacts. The factory setting is ON.

1. Press the Mode key until the Config indicator lights.
2. Press the right arrow until Tmp Rly XXX is displayed in the message center.
3. Press the up/down arrow to toggle the setting ON/OFF.
4. Press Enter to save the setting
5. Press the Mode key to return to Run Mode or right/left to go to next/previous parameter.

Setting Low CO₂ Alarm Limit

The low CO₂ alarm limit (tracking alarm) is the deviation from the CO₂ setpoint that will cause a low CO₂ alarm. The setpoint is variable from 0.5% CO₂ below setpoint to 5.0% CO₂ below setpoint. The factory setting is 1.0% CO₂ below setpoint. A minus (-) in the display indicates that the alarm setting is below the setpoint.

1. Press the Mode Key until the Config indicator lights.
2. Press the right arrow until CO₂ LO -X.X is displayed in the message center.
3. Press the up/down arrow to change the low CO₂ alarm limit.
4. Press Enter to save the low CO₂ alarm limit.
5. Press the Mode key to return to Run Mode or right/left to go to next/previous parameter.

Setting High CO₂ Alarm Limit

The high CO₂ alarm limit (tracking alarm) is the deviation from the CO₂ setpoint that will cause a high CO₂ alarm. The setpoint is variable from 0.5% CO₂ above setpoint to 5.0% CO₂ above setpoint. The factory setting is 1.0% CO₂ above setpoint.

Setting High CO₂ Alarm Limit (cont.)

1. Press the Mode key until the Config indicator lights.
2. Press the right arrow until CO₂ Hi X.X is displayed in the message center.
3. Press the up/down arrow to change the high CO₂ alarm limit.
4. Press Enter to save the high CO₂ alarm limit.
5. Press the Mode key to return to Run Mode or right/left to go to next/previous parameter.

Enabling CO₂ Alarms to Trip Contacts

High and Low CO₂ alarms can be programmed to trip the remote alarm contacts. A setting of ON will cause this; a setting of OFF will not allow CO₂ alarms to trip the contacts. The factory setting is ON.

1. Press the Mode key until the Config indicator lights.
2. Press the right arrow until CO₂ Rly XXX is displayed in the message center.
3. Press the up/down arrow to toggle the setting ON/OFF.
4. Press Enter to save the setting.
5. Press the Mode key to return to Run Mode or right/left to go to next/previous parameter.

Setting New Zero # for T/C CO₂ Sensors

If a new T/C CO₂ sensor is being installed, the two numbers on the factory installed sticker on the T/C cell must be entered to calibrate the CO₂ in the unit.

Note For the technician's convenience, a label containing the two numbers on the T/C cell is affixed inside the electronics drawer. ▲

Setting New Zero # - T/C CO₂ Sensors (cont.)

1. Press the Mode key until the Config indicator lights.
2. Press the right arrow until T/CZ# XXXX is displayed in the message center.
3. Press the up/down arrow to change the zero number to match the sticker.
4. Press Enter to save the setting.
5. Press the Mode key to return to Run Mode or right/left to go to next/previous parameter.

Setting New Span # for T/C CO₂ Sensors

If a new T/C CO₂ sensor is being installed, the two numbers on the factory installed sticker on the T/C cell must be entered to calibrate the CO₂ in the unit.

Note For the technician's convenience, a label containing the two numbers on the T/C cell is affixed inside the electronics drawer. ▲

1. Press the Mode key until the Config indicator lights.
2. Press the right arrow until T/CS# XXXX is displayed in the message center.
3. Press the up/down arrow to change the span number to match the sticker.
4. Press Enter to save the setting.
5. Press the Mode key to return to Run Mode or right/left to go to next/previous parameter.

Setting a Low RH Alarm Limit

On units that have the RH option installed, a low RH alarm limit may be entered. The low RH alarm limit is the %RH in the cabinet that will cause a low RH alarm. The setpoint is variable from setpoint 0 to 90 %RH. The factory setting is 0% RH, which disables the alarm.

1. Press the Mode key until the Config indicator lights.
2. Press the right arrow until RH Lo XX is displayed in the message center.
3. Press the up/down arrow to change the RH low alarm limit.
4. Press Enter to save the RH low alarm limit.
5. Press the Mode key to return to Run Mode or right/left to go to next/previous parameter.

Enabling RH Alarms to Trip Contacts

The low RH alarm can be programmed to trip the remote alarm contacts. A setting of ON will cause this, a setting of OFF will not allow the RH alarm to trip the contacts. The factory setting is ON.

1. Press the Mode key until the Config indicator lights.
2. Press the right arrow until RH Rly XXX is displayed in the message center.
3. Press the up/down arrow to toggle the setting ON/OFF.
4. Press Enter to save the setting.
5. Press the Mode key to return to Run Mode or right/left to go to next/previous parameter.

Setting a Low O₂ Alarm Limit

On models with a O₂ control system, O₂ alarms may be configured. The low O₂ alarm limit (tracking alarm) is the deviation from the O₂ setpoint that will cause a low O₂ alarm. The setpoint is variable from 0.5% O₂ below setpoint to 5.0% O₂ below setpoint. The factory setting is 1.0% O₂ below setpoint. A minus (-) in the display indicates that the alarm setting is below setpoint.

Setting a Low O₂ Alarm Limit (cont.)

1. Press the Mode key until the Config indicator lights.
2. Press the right arrow until O₂ LO -X.X is displayed in message center.
3. Press the up/down arrow to change the low O₂ alarm limit.
4. Press Enter to save the low O₂ alarm limit.
5. Press the Mode key to return to Run Mode or right/left to go to next/previous parameter.

Setting a High O₂ Alarm Limit

On models with a O₂ control system, O₂ alarms may be configured. The high O₂ alarm limit (tracking alarm) is the deviation from O₂ setpoint that causes a high O₂ alarm. The setpoint is variable from 0.5% O₂ above setpoint to 5.0% O₂ above setpoint. The factory setting is 1.0% O₂ above setpoint.

1. Press the Mode key until the Config indicator lights.
2. Press the right arrow until O₂ Hi X.X is displayed in message center.
3. Press the up/down arrow to change the high O₂ alarm limit.
4. Press Enter to save the high O₂ alarm limit.
5. Press the Mode key to return to Run Mode or right/left to go to next/previous parameter.

Enabling O₂ Alarms to Trip Contacts

On models with an O₂ control system, O₂ alarm contacts may be configured to trip the contacts. A setting of ON causes this, a setting of OFF does not allow O₂ alarms to trip contacts. The factory setting is ON.

1. Press the Mode key until the Config indicator lights.
2. Press the right arrow until O₂ Rly XXX is displayed in message center.
3. Press the up/down arrow to toggle the setting ON/OFF.
4. Press Enter to save the setting.
5. Press the Mode key to return to Run mode or right/left to go to next/previous parameter.

Enabling Temp/RH to be Displayed

On units that are equipped with the RH option, the upper seven-segment display on the control panel can be configured to display Temp continuously, RH continuously, or toggle between Temp and RH. If the units does not have RH, the upper display will always display temperature. If temperature is set to ON and the RH is set OFF, temperature will be displayed continuously. If temperature is set to OFF and RH is set to ON, RH will be displayed continuously. If both are turned ON, the display will toggle between the two. The factory setting will default to toggle mode if the RH option is present.

1. Press the Mode key until the Config indicator lights.
2. Press the right arrow until Disp Tmp XXX or Disp RH XXX is displayed in the message center.
3. Press the up/down arrow to toggle the setting ON/OFF.
4. Press Enter to save the setting.
5. Press the Mode key to return to Run mode or right/left to go to next/previous parameter.

Enabling CO₂/O₂ to be Displayed

On models that are equipped with the O₂ system, the lower seven-segment display on the control panel can be configured to display CO₂ continuously, O₂ continuously, or toggle between CO₂ and O₂. If the units does not have O₂, the lower display will always display CO₂. If CO₂ is set to ON and the O₂ is set OFF, CO₂ will be displayed continuously. If CO₂ is set to OFF and O₂ is set to ON, O₂ will be displayed continuously. If both are turned ON, the display will toggle between the two. The factory setting will default to toggle mode if the O₂ system is present.

1. Press the Mode key until the Config indicator lights.
2. Press the right arrow until Disp CO₂ XXX or Disp O₂ XXX is displayed in the message center.
3. Press the up/down arrow to toggle the setpoint.
4. Press Enter to save the setpoint.
5. Press the Mode key to return to Run mode or right/left to go to next/previous parameter.

Selecting a Primary Tank (Gas Guard)

On units equipped with the Gas Guard option, a primary tank can be selected. The primary tank can be either Tank 1 or Tank 2. Factory setting is Tank 1.

1. Press the Mode key until the Config indicator lights.
2. Press the right arrow until Tnk Sel X is displayed in the message center.
3. Press the up/down arrow to toggle the setting between 1 and 2.
4. Press Enter to save the setting.
5. Press the Mode key to return to Run mode or right/left to go to next/previous parameter.

Disabling the Gas Guard System

On units equipped with the Gas Guard option, the Gas Guard system may be turned ON, or OFF if it is not in use. The factory setting is ON.

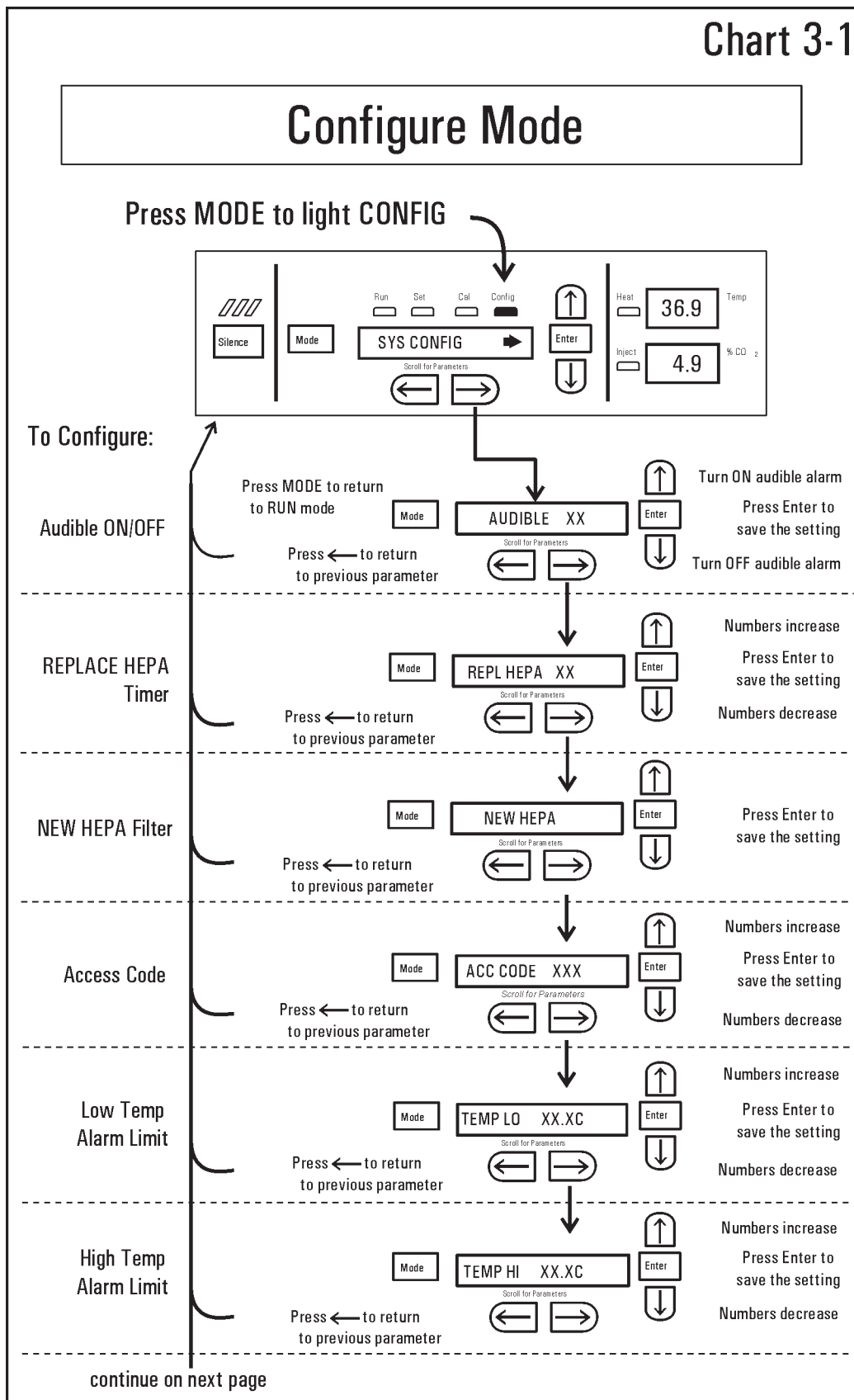
1. Press the Mode key until the Config indicator lights.
2. Press the right arrow until Gas Grd XX is displayed in message center.
3. Press the up/down arrow to toggle the setting ON/OFF.
4. Press Enter to save the setting.
5. Press the Mode key to return to Run mode or right/left to go to next/previous parameter.

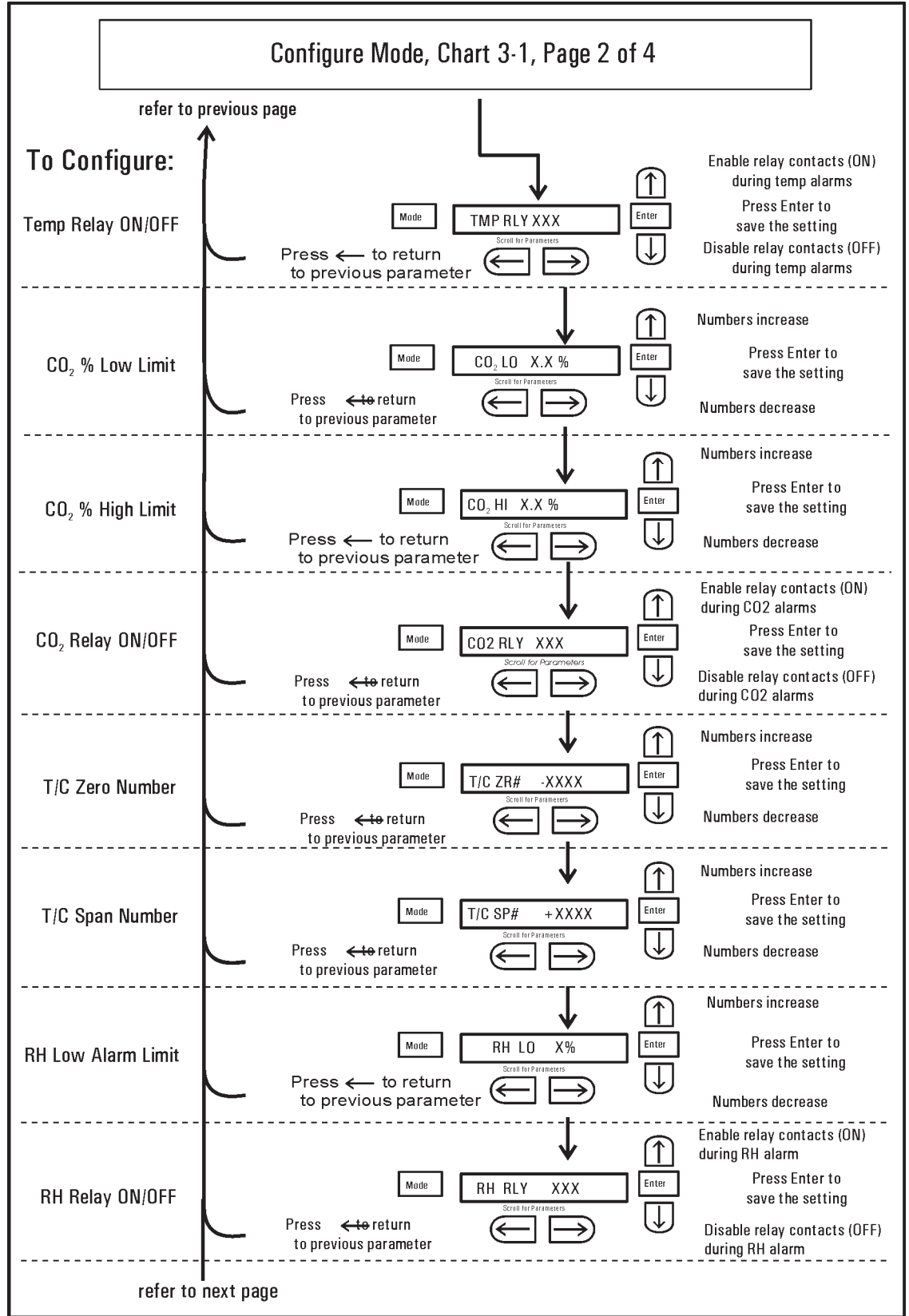
Setting a RS485 Address (1535 Only)

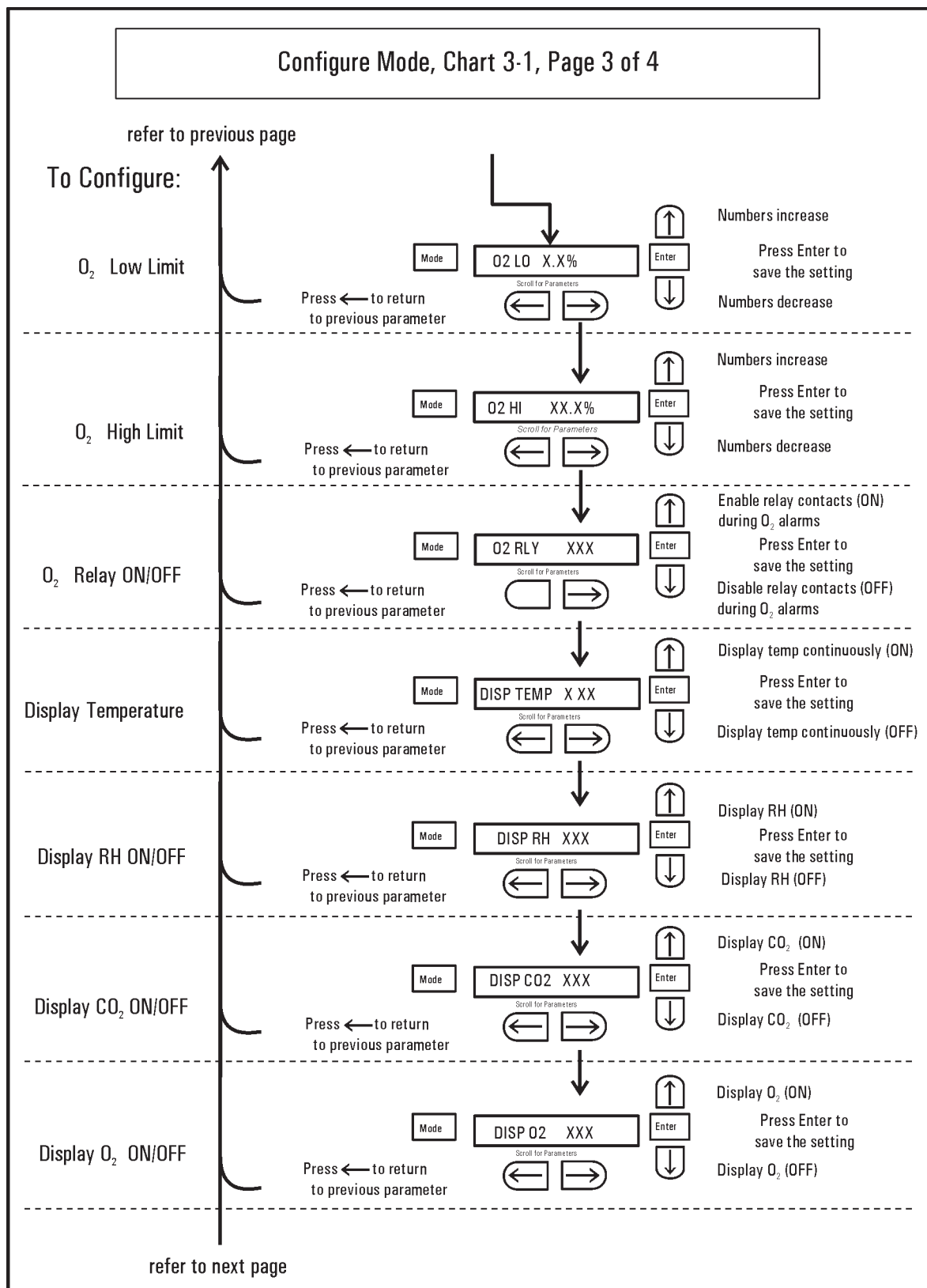
On units with the RS485 option, direct communication with Model 1535 alarm system can be established. Each piece of equipment connected to the 1535 must have a unique address. An address of 0-24 can be entered for the incubator. A setting of 0 is a non-communication address that the 1535 ignores. Factory setting for the RS485 address is 0.

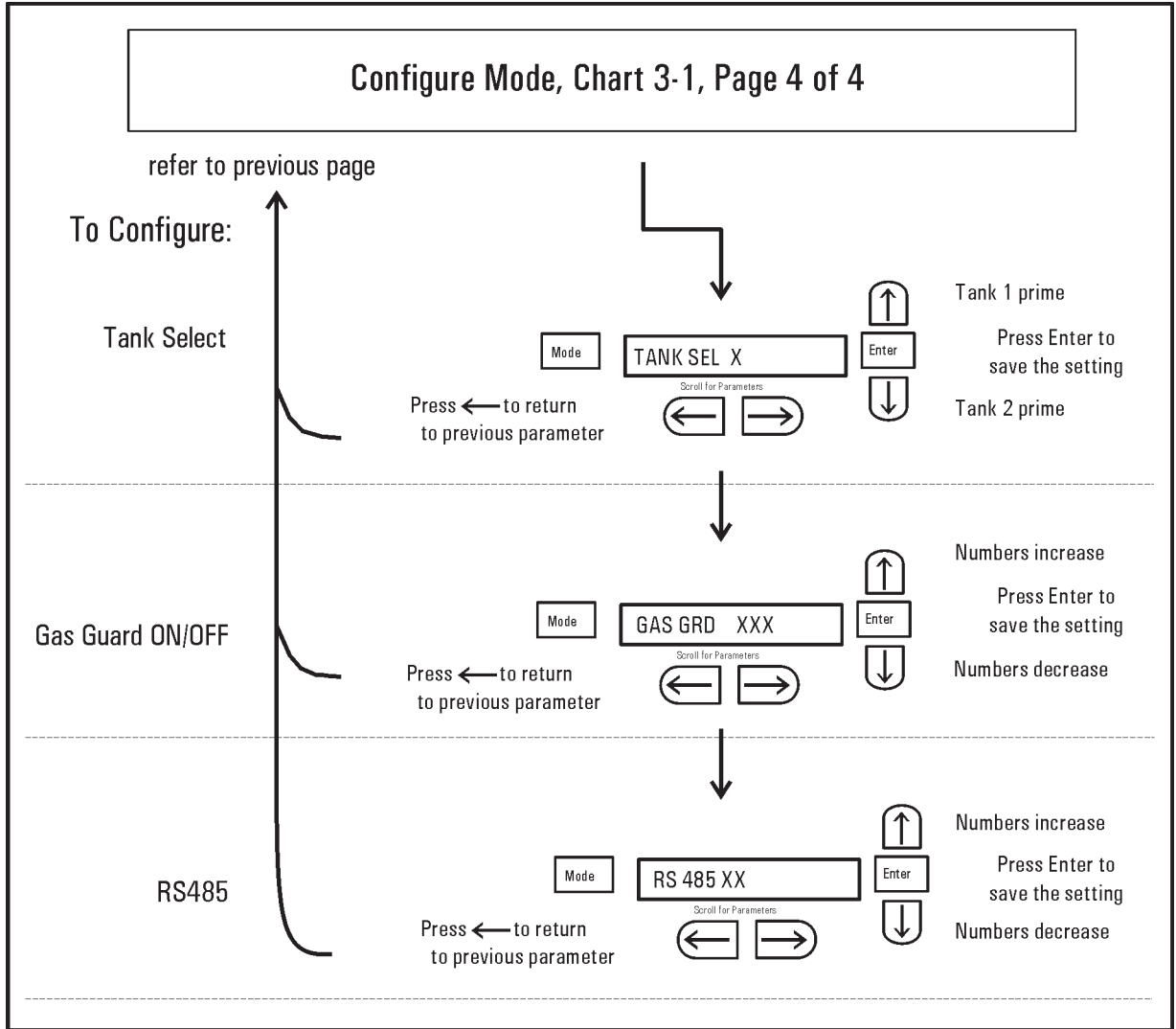
1. Press the Mode key until the Config indicator lights.
2. Press the right arrow until RS485 XX is displayed in message center.
3. Press the up/down arrow to move the RS485 address.
4. Press Enter to save the RS485 address.
5. Press the Mode key to return to Run mode or right/left to go to next/previous parameter.

Chart 3-1









Section 4 Alarms

The Model 3100 Series incubator alarm system is shown in the table below. When an alarm is active, the message appears in the LED message center. Pressing Silence disables the audible alarm for the ringback period. However, the visual alarm continues until the incubator returns to a normal condition. The alarms are momentary alarms only. When an alarm condition occurs and then returns to normal, the incubator automatically clears the alarm condition and the message center.

Table 4-1. Alarms

Description	Message	Delay	Ringback	Relay
No alarm condition exists	SYSTEM OK/CLASS 100	----	----	----
CO2 System Auto Calibrating	CO2 AUTO CAL	----	----	----
Temp > Otemp Setpoint	SYS IN OTEMP	0 min.	15 min.	Yes
Temp Control Sensor Fault (See Sect 4)	TSNSR1 ERR	0 min.	15 min.	No
Over Temp Sensor Fault (See Sect 4)	TSNSR2 ERR	0 min.	15 min.	No
CO2 Sensor Fault (See Sect 4)	CO2 SNSR ERR	0 min.	15 min.	No
O2 Sensor Fault (O2 option, see Sect 4)	O2 SNSR ERR	0 min.	15 min.	No
O2 Sensor Low (O2 option, see Sect 4)	REPL O2 SNSR	0 min.	----	No
CO2 Sensor cannot be calibrated (IR option, Sect. 4)	REPL IR SNSR	0 min.	15 min.	No
Replace HEPA filter reminder – set time expired (See Sect. 3)	REPLACE HEPA	0 min.	----	No
Water low in jacket	ADD WATER	0 min.	15 min.	No
Inner Door is Open	DOOR OPEN	15 min.	15 min.	No
CO2 > CO2 High Tracking Alarm	CO2 IS HIGH	15 min.	15 min.	Programmable
CO2 < CO2 Low Tracking Alarm	CO2 IS LOW	15 min.	15 min.	↓
TEMP > TEMP High Tracking Alarm	TEMP IS HIGH	0 min.	15 min.	Programmable
TEMP < TEMP Low Tracking Alarm	TEMP IS LOW	15 min.	15 min.	↓
O2 > O2 High Tracking Alarm (O2 option)	O2 IS HIGH	15 min.	15 min.	Programmable
O2 < O2 Low Tracking Alarm (O2 option)	O2 IS LOW	15 min.	15 min.	↓
RH < RH Low Limit Alarm (RH option)	RH IS LOW	30 min.	15 min.	Programmable
CO2 Auto-Zero Fault (IR option, see Sect. 4)	IR AUTOZ ERR	0 min.	15 min.	No
Tank 1 is low, switch to Tank 2 (Gas Guard)	TANK1 LOW	0 min.	----	No
Tank 2 is low, switch to Tank 1 (Gas Guard)	TANK2 LOW	0 min.	----	No
Both tanks are low (Gas Guard)	TANK 1 and 2 LOW	0 min.	15 min.	No

- All alarm delays and ringback times are +/- 30 seconds -

When multiple alarm conditions occur, active messages are displayed in the message center one at a time, updating at 5 second intervals. Pressing Silence during multiple alarms causes all active alarms to be silenced and to ring back in 15 minutes.

The temperature alarms are disabled when the Temp setpoint is 10°C. The CO₂ alarms are disabled when the CO₂ setpoint is 0.0%. The O₂ alarms are disabled when the O₂ setpoint is 21.0%.

Inner Door Open Alarm

When the inner door is opened on a Model 3100 Series incubator, heat and CO₂ injection are disabled. The door must be securely latched for heat and CO₂ injection to resume after a door opening. If the door is latched, yet the display still shows Door Open, the door switch could be faulty. Call Technical Services.

Sensor Fault Alarms

The microprocessor in the incubator continually scans all available sensors, except the O₂ (see Section 4), to ensure proper operation. Should an error be detected, the incubator sounds an alarm and displays the appropriate message. If such an alarm occurs, contact your local distributor or the Technical Services department at 740-373-4763 or 1-888-213-1790 (USA and Canada) or fax 740-373-4189.

REPL O2 SNSR

On units equipped with the O₂ system, the microprocessor checks the remaining life of the O₂ sensor whenever O₂ calibration @ 20.7% is performed. If the O₂ sensor declines to a certain level, REPL O2 SNSR appears in the display and the visual alarm flashes. This alarm alerts the user to replace the O₂ sensor at the earliest convenience (Section 5). The unit will continue to function for some length of time.

O2 SNSR ERR

If the O₂ sensor declines to the point that control cannot be accurately performed, an O₂ SNSR ERR alarm will sound and control is disabled.

REPL IR SNSR

On units equipped with an IR CO₂ control system, calibration is performed automatically using an Auto Zero system. If this system cannot properly calibrate the sensor, the REPL IR SNSR alarm sounds. The unit will continue to function for some length of time.

CO2 SNSR ERR

If the cables or connectors between the main microprocessor board and the CO₂ sensor, or between the CO₂ board and the sensor head on I/R CO₂ units become loose or disconnected, the CO₂ SNSR ERR alarm will occur.

I/R Units

On I/R incubators, the red light on the I/R module (see Figure 5-4 for the module circuit board location) is lit continuously if communication is lost between the CO₂ board and the sensor head. The CO₂ display is locked at 00.0 without injection. Turning the incubator off and on will not clear the alarm. Only proper connections of all the components corrects the alarm.

IR AUTOZ ERR

On incubators equipped with I/R CO₂ control, calibration is performed automatically using an Auto Zero system. Auto Zero occurs once every 24 hours. If, during the Auto Zero cycle, a CO₂ correction of more than 0.45% is detected, the IR AUTOZ ERR alarm will occur.

Possible problems which will cause this alarm are:

- Auto Zero pump, orifice, filter or tubing will not allow air to the sensor.

Possibilities are:

- ~ Defective or electrically disconnected air pump
- ~ Kinked auto zero vinyl tubing
- ~ Disconnected tubing between air pump and sensor
- ~ Plugged filter or orifice on auto zero assembly
- ~ Defective auto zero circuit
- Cabinet temperature has been increased significantly from a previous setpoint. (For example, the unit was calibrated and operating at 30°C and the setpoint is increased to 50°C) In this instance, calibrating the CO₂ will correct the alarm.
- There is high background CO₂ in the laboratory. This could be from leaks in the tank, regulator or vinyl CO₂ tubing.
- High CO₂ sensor calibration drift occurred. This requires replacement of the sensor.

PREVENTIVE MAINTENANCE

Incubators

Your equipment has been thoroughly tested and calibrated before shipment. Regular preventive maintenance is important to keep your unit functioning properly. The operator should perform routine cleaning and maintenance on a regular basis. For maximum performance and efficiency, it is recommended the unit be checked and calibrated periodically by a qualified service technician.

The following is a condensed list of preventive maintenance requirements. See the specified section of the operating manual for further details.

We have qualified service technicians, using NIST traceable instruments, available in many areas. For more information on Preventive Maintenance or Extended Warranties, please contact us at the number listed below.

Cleaning and calibration adjustment intervals are dependent upon use, environmental conditions and accuracy required.

Tips for all incubators:

- Do NOT use bleach or any disinfectant that has high chloros
- Use sterile, distilled or demineralized water.
- Avoid spraying cleaner on the CO₂ sensor.
- Do not use powdered gloves for tissue cultures.

Action	Daily	Weekly	Monthly	6 Months	Yearly	2 years
Check CO ₂ tank levels.	✓					
Inspect door latch, hinges and door gasket seal.					✓	
Check water level in the humidity pan, ½” from top. See “Filling the Humidity Pan”.		✓				
Verify and document CO ₂ , O ₂ , humidity and temperature calibration, as applicable. See Calibration section					✓	
Perform a complete decontamination procedure. Wipe down interior, shelves and side ducts with disinfectant. Change or clean blower wheel and scroll. Clean top duct. Clean humidity pan. Rinse everything well with sterile distilled water. See “Cleaning the Interior,” “Cleaning the Humidity Pan”.	Between experiments <i>More frequent decontamination may be required, depending on use and environmental conditions</i>					
Change HEPA and gas filters, if applicable (<i>or as needed</i>). See “Installing Air Sample Filter”, “Installing HEPA Filter”.				✓		
Replenish rust inhibitor in water jacket. See “Adding/Replenishing Rust Inhibitor”.						✓
Replace AquaTec water cleaning cell, if applicable.				✓		

Section 5 Routine Maintenance

Caution Before using any cleaning or decontamination method except those recommended by the manufacturer, users must check with the manufacturer that the proposed method will not damage the equipment. ▲

Cleaning the Interior

Warning If the units have been in service, disconnect the power cord connector before disinfecting. ▲

Use an appropriate disinfectant. All articles and surfaces must be thoroughly cleaned, rinsed and rough-dried.

Warning Alcohol, even a 70% solution, is volatile and flammable. Use it only in a well ventilated area that is free from open flame. If any component is cleaned with alcohol, do not expose the component to open flame or other possible hazard. Allow the alcohol to fully dry before turning power on. ▲

Warning Do not spray the T/C sensor with flammable solutions. The internal temperature of the CO₂ sensor is approximately 150°C when the unit is in operation. Allow sufficient time for the sensor to cool before cleaning. ▲

Warning Do not use strong alkaline or caustic agents. Stainless steel is corrosion resistant, not corrosion proof. Do not use solutions of sodium hypochlorite (bleach), as they may also cause pitting and rusting. ▲

1. Turn the incubator off and disconnect the plug from the power source.

2. Remove the shelves, access port filter and side duct sheets. Remove the temperature sensors and the air sample filter tubing from the back of the blower scroll. If unit is equipped with the optional RH sensor, unfasten it from the clip on the top duct. See Figure 5-1.

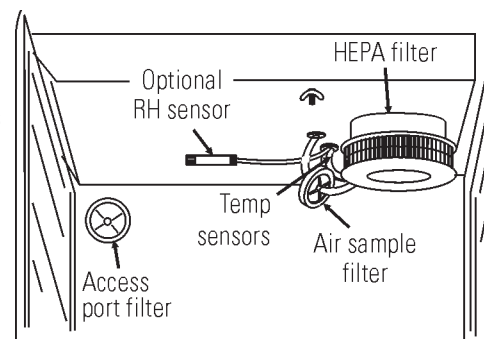


Figure 5-1. Sensor and Filter Locations

Cleaning the Interior (continued)

3. Remove the filter from the air sample filter tubing. Carefully pull down and remove the HEPA filter.
4. Remove the wingnuts securing the top duct to the interior. Carefully slide the top duct down and off the temperature sensor, air sample filter tubing (and RH sensor, if applicable).
5. Wash the shelves, ducts, wingnuts and stopper with disinfectant and rinse with sterile water. Option: Autoclave shelves, ducts and wingnuts.
6. Remove the blower scroll by first pushing the black lever clip closest to you toward the scroll. Then turn the scroll to the right to disengage it from the blower scroll plate. Some manipulation may be required as the alignment holes are keyhole-shaped.
7. Remove the remaining wingnut, then pull down on the blower wheel. If a new wheel and scroll are to be used, discard the old ones. If the old ones are to be reused, wash all parts with disinfectant and rinse with sterile water.
8. Remove the blower scroll plate by first pushing the black lever clip toward the chamber ceiling. Then turn the plate to the left to disengage it from the alignment keyholes. Clean as above, or autoclave.
9. Wash the cabinet interior with disinfectant starting at the top and working down. Wash the inner door both inside and out. The cabinet and door must be rinsed with sterile water until the disinfectant has been removed. After the cabinet has been rinsed, spray with 70% alcohol.
10. Reinstall the blower scroll plate by aligning it with the larger end of the keyholes and turning it to the left to lock it on. Pull the black lever clip downward from the ceiling.
11. Install the blower wheel onto the motor shaft, aligning the d-shaped flat sides of each. See Figure 5-2. Secure the blower wheel with the wingnut. Make sure the wheel turns freely.
12. Locate the blower scroll over the blower wheel into the larger end of the keyholes on the scroll plate. Turn the scroll to the right to lock it into the keyholes. Pull the black lever clip closest to you toward the front of the unit.

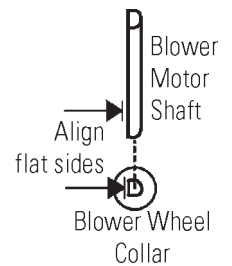


Figure 5-2. Align

Cleaning the Interior (continued)

13. Install the top duct by feeding the temperature sensors, air sample tubing (and RH sensor, if applicable) through the appropriate holes in the duct as it is raised to the top of the chamber. Be careful not to pull the grommets through the duct. See Figure 5-3.

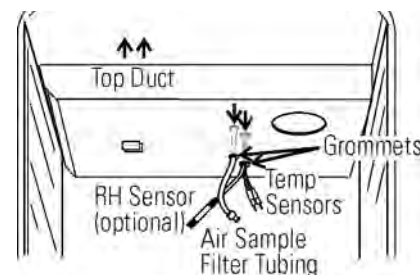


Figure 5-3. Feed Through Holes

14. Locate the mounting studs and blower scroll into the appropriate holes in the top duct and install the wingnuts to secure the duct.
15. Install the air sample filter onto the top duct tubing.
16. Carefully pull the temperature sensors and air sample filter tubing down until they can be inserted approximately 1 inch into the appropriate holes in the back of the blower scroll. If applicable, place the optional RH sensor into the corresponding clip on the top duct.

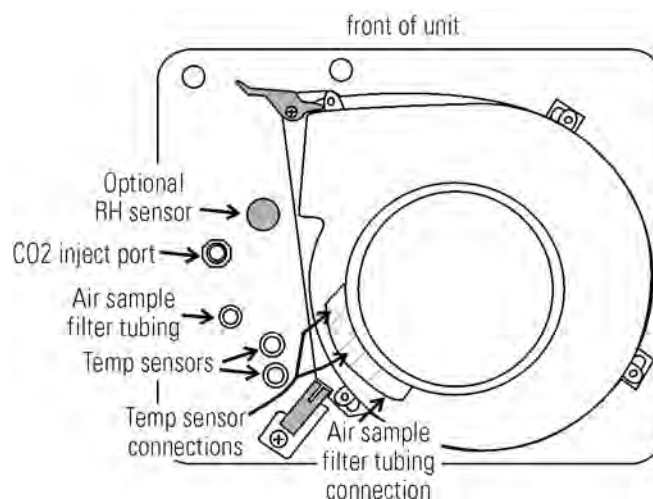


Figure 5-4. Underside View of Chamber Ceiling

See Figure 5-4.

17. Install the HEPA Filter.
18. Install the left and right ducts, and the access port stopper with filter, spraying each with 70% alcohol (do not saturate).
19. Install the shelves and spray with 70% alcohol.
20. Plug the incubator in and turn the power switch on. Allow the unit to run empty for 24 hours before returning to service.

Cleaning Cabinet Exterior

Clean the incubator exterior with a damp sponge or soft, well-wrung cloth and mild detergent dissolved in water. Dry with a soft cloth.

Cleaning Humidity Pan

Clean the humidity pan with soap and water and a general use laboratory disinfectant. Rinse with sterile water and spray with 70% alcohol. The humidity pan may be autoclaved.

Reversing the Door Swing

For side-by-side operation or changing lab layouts, the inner and outer doors are field-reversible. The procedure is written from the prospective of changing the door swing from a left-hand to a right-hand swing. All screw holes are pre-drilled for reversing the door. The tools required are a Phillips and a flatblade screwdriver.

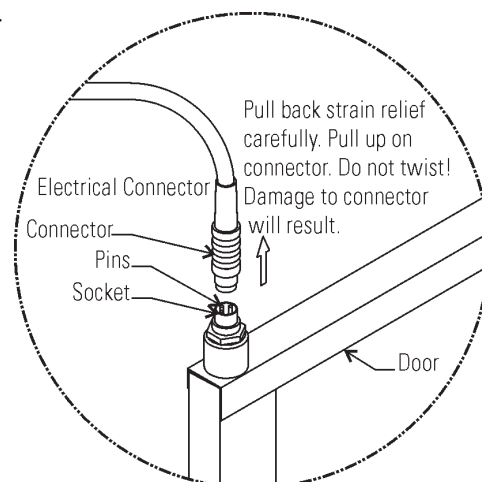
Warning If the units have been in service, disconnect the power cord connector before reversing the door swing. ▲

Reversing Hinges for Exterior Door

1. Referring to Illustration A following, open the outer door and remove it by lifting it off the hinge pins. Lay this door down on its face on a padded surface to prevent scratches.
2. Remove the two outer door hinges identified in the illustration.
3. Remove the four nylon screws from what will be the new locations for the inner door hinges.
4. With the Phillips screwdriver, remove and save the four nylon screws from the outer door hinge mounting holes on the right side of the door frame.
5. Remove the electrical connector on the top of the inner door hinge by carefully prying up the black strain relief.

Reversing Hinges for Exterior Door (continued)

6. Refer to Figure 5-5. The heater wiring connector is of yellow rubber which should be visible when the strain relief is moved upward as shown. See connector manufacturer's instructions in Appendix A of this manual.



7. Grasp the upper portion of the yellow connector and pull it up and out of the hinge socket.
8. Remove the inner door upper hinge. This hinge will be inverted and become the lower inner door hinge when the hardware is reassembled. When removing the door, set it aside on a flat surface, taking care not to damage the electrical sockets on the top and bottom of the door frame. At this time, remove the 5/8" black plastic bushing from the hinge. This bushing will be inserted in the top hinge when the door is installed on the right side of the cabinet.

Figure 5-5. Connector

Warning The frame along the hinge side of the inner glass door has electrical connectors mounted on the frame at both the top and bottom of the door. Be careful not to damage the connectors by resting the weight of the door on them. Place the inner glass door on a flat surface where it cannot be damaged before moving on to the next step. ▲

9. Remove the lower inner door hinge. Note that this hinge will be inverted and become the upper inner door hinge when the hardware is reassembled. Also, remove the 1" long white plastic bushing from the center of the hinge and insert it into the hinge removed in step above.
10. The shoulder of the bushing must be on top as shown in Illustration B. Install the black plastic bushing into the hinge just removed and which will be the top hinge when the door is reversed. See Figure 5-5.
11. Remove the two nylon screws opposite the door latch.
12. Remove the door strike plate and install the two nylon screws just removed (Step 11) into the vacant holes.
13. Remove the two outer Phillips screws on the frame just beneath the control panel. Remove only the two outer screws and pull the electronics tray out about one inch.

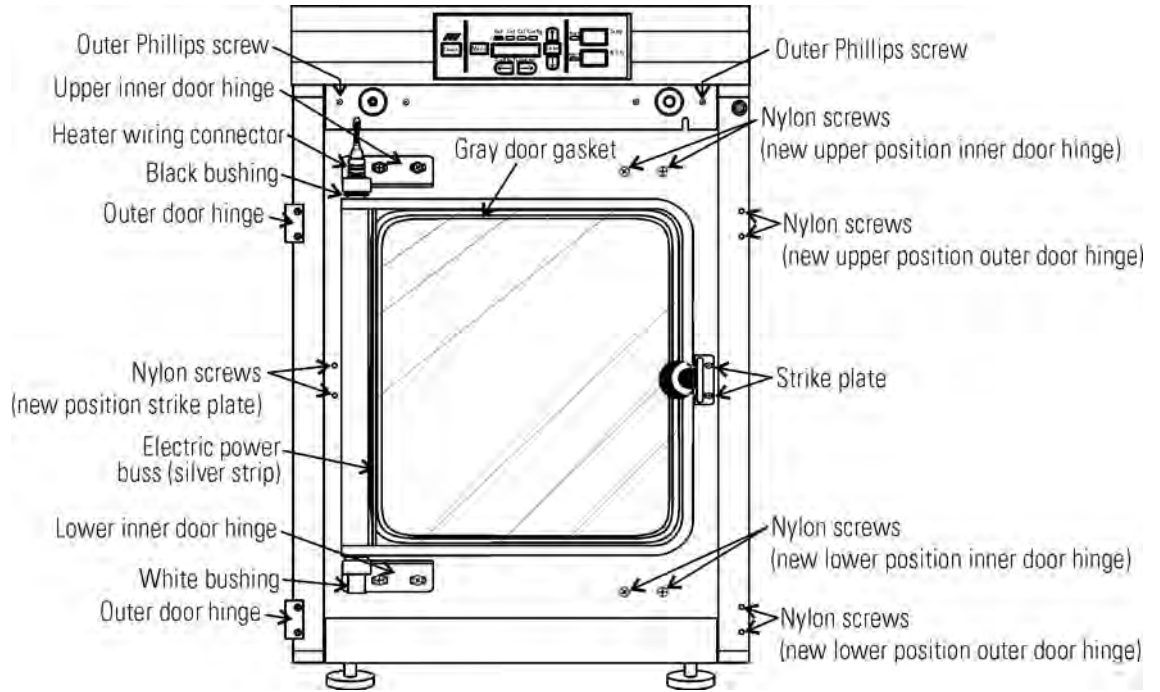


Illustration A. Disassembly

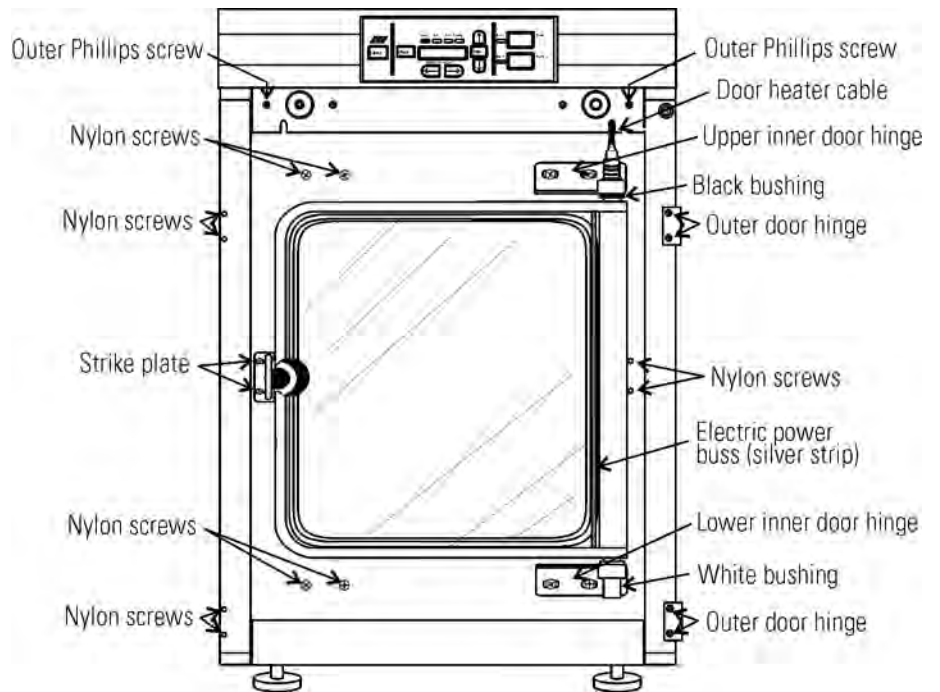


Illustration B. Reassembly

Reversing Hinges for Exterior Door (continued)

Refer to Illustration B on the previous page.

14. Verify that the nylon screws have been installed in the vacant door strike holes.
15. Move the door heater cable to the slot on the right side of the tray.
16. Push any excess cable into the tray area, making sure the wire will not be damaged when the tray is pushed back in and secured.
17. Install the lower inner door hinge in the drawing. (This was the top inner door hinge removed in Step 7 and should have the white plastic bushing installed.) Do not completely tighten the screws.
18. Insert the inner door into the lower hinge with the latch to the left. Align the door to chamber opening and place upper hinge in position.
19. Insert the screws into the hinge but do not completely tighten them.

20. Match the pins on the yellow connector with the socket on the door. Press the connector completely into the socket and slide the strain relief down until no yellow is visible on the plug (Figure 5-6).

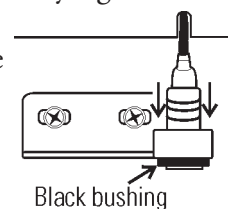


Figure 5-6. Connector

21. Push the power cable completely into the slot in the electronics tray. Press the tray into position and secure it with the screws.
22. Align the silver power buss visible through the glass along the hinge side of the door with the gasket along right side of chamber opening.
23. When both hinges are in place with the hinge screws still loosened, push up on the bottom hinge. This will shift both hinges and the door upward. Tighten the hinge screws.
24. Attach the strike plate, aligning it so the knob secures the door against the gasket.
25. Attach the outer door hinges.
26. Install the nylon screws in the previously upper and lower outer hinge locations.
27. Install the nylon screws in the previously upper and lower inner hinge locations. Assemble the outer door to the incubator and return the unit to service.

Replacing Fuses

Warning The electronics drawer contains hazardous voltages. Replacing the fuses should be performed by qualified personnel only. ▲

There are three fuses in the incubator that can be replaced. To replace a fuse:

1. Turn off the incubator's power switch.
2. Unplug the power cord from the wall outlet.
3. Open the exterior cabinet door.
4. Remove two screws as shown. See Figure 5-7.
5. Carefully slide out electronics drawer.

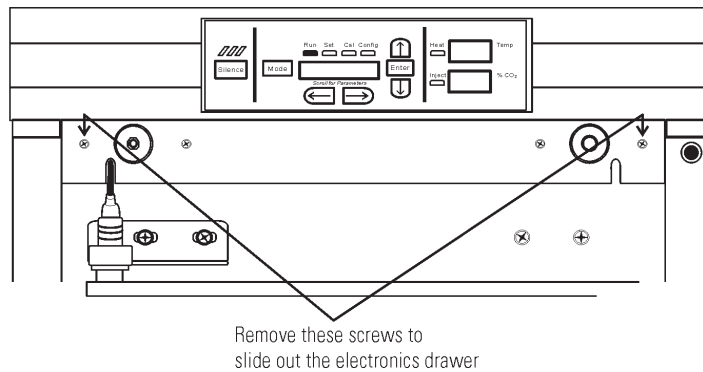


Figure 5-7. Screw Locations

There are two fuses on the main microboard labeled F1 24VAC Door Heater and F4 24VAC Collar Heater. Refer to Figure 5-8 for the location of the main microboard. Remove the fuse and replace it with a new one of the same specification. Refer to Table 5-1.

Table 5-1. Fuses and Specifications

Fuse #	Manufacturer Part #	Amperage Rating	Rupture Speed	IEC Letter Code
F1	BUSS GMC-3.5A	3.5 Amp	Time-Lag	T
F4	BUSS GMC-2.5A	2.5 Amp	Time-Lag	T
115 VAC ACC	BUSS GMC-1.0A	1.0 Amp	Time-Lag	T
230 VAC ACC	BUSS BK-GMC-500mA	0.5 Amp	Time-Lag	T

Replacing Fuses (continued)

The other replaceable fuse is the accessory outlet fuse mounted to the floor of the electronics drawer. To locate the fuse, refer to Figure 5-8. Remove the fuse and replace with a new one of the same specification.

1. When the fuse has been replaced, slide the electronics drawer back in, being very careful to place the door heater cable back into the provided slot so that the drawer does not pinch the cable.
2. Replace the two screws removed earlier.
3. Close the exterior door.
4. Plug the power cord back into the dedicated, grounded circuit.
5. Turn on power switch. If the unit operates properly, it may now be returned to service.

There is one fuse in the incubator that is not replaceable. This fuse is intended for catastrophic failure only and is located on the power supply circuit board in the electronics drawer. See Figure 5-8. If this fuse is blown, the power supply must be replaced. Contact the factory for more information.

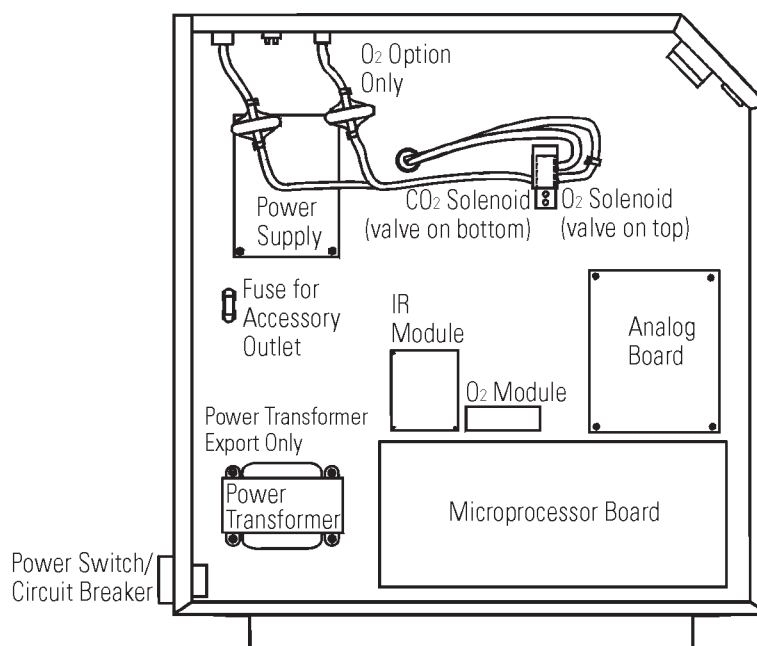


Figure 5-8. Electronics Drawer

HEPA Filter Maintenance

Replace the HEPA filter when the REPLACE HEPA reminder is displayed. The REPLACE HEPA reminder can be set to alarm after a specified time from 1 to 12 months. The reminder default is the factory recommended setting of 6 months. For details, see Section 3.

Replacing Air Sample Filter

The air sample filter should be replaced whenever the HEPA filter is replaced. On the inside of the chamber, inserted into the back of the blower scroll, is the air sample filter and its connecting tubing. Disengage the tubing from the back of the scroll, then remove the filter from the tubing and discard. Install the new filter. Connect it securely to the air sample filter tubing, then insert the tubing into the back of the blower scroll.

Replacing Access Port Filter

The access port filter should be replaced whenever the HEPA filter is changed. The filter is connected to the stopper in the upper left corner of the chamber back wall. Remove the filter from the connecting tube and discard. Install the new filter.

Draining Water Jacket

1. Turn the unit off. Remove the plug from the power source.
2. Remove the front cover plate below the door. There are small flatblade screwdriver pry slots on each end of the plate to help remove it. See Figure 5-9.



Figure 5-9. Front Cover Plate Below the Door

3. If present, remove the drain plug.
4. Connect the hose barb insert to the drain on lower front of the water jacket and to the drain hose.

Draining Water Jacket (continued)

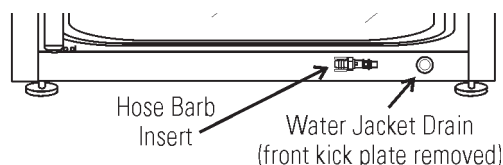


Figure 5-10. Water Jacket Drain and Hose Barb Insert

5. After water jacket has finished draining, remove the hose barb insert and secure on the front of the unit. See Figures 5-10 and 5-11.



Figure 5-11. Hose Barb Insert

6. Install cover plate.
7. To fill the water jacket, see Section 1. Be sure to add the rust inhibitor to the water when filling. For the proportions of rust inhibitor to water and the part number, see Section 5.

O₂ Sensor Fuel Cell - Models 3130/3131, 3140/3141

The O₂ sensor output declines over time, even if the unit is not in use. Replace the sensor every 30 months to ensure consistent output and to prevent the possibility of failure in the middle of a test experiment.

Replacing O₂ Sensor - Models 3130/3131, 3140/3141

The O₂ sensor is located on the blower scroll plate in the chamber of the unit. To replace it, refer to Figure 5-12 and 5-13 and follow the steps below.

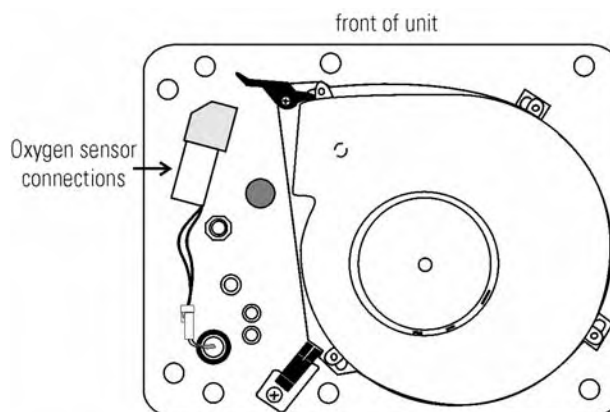


Figure 5-12. Underside View of Top of Chamber

1. Turn the unit off and disconnect the plug from the power source.
2. Remove the top duct by removing 2 wingnuts.
3. Locate the sensor on the scroll plate.

Replacing O₂ Sensor (continued)

- Lift up slightly on the tab securing the sensor wire terminal connection. Be careful not to break the tab off. See enlarged detail of Figure 5-13.
- Disconnect the terminals from each other. Note the orientation of the terminals.
- The O₂ sensor is screwed into the brass fitting. Unscrew the old sensor and discard.
- Screw the new sensor in firmly. Be careful not to cross-thread.
- Orient the terminals as previously and connect.
- Install the top duct and tighten the 2 wingnuts.
- Plug the unit in. Calibrate the O₂ system using the O₂ CAL@20.7% method as described in Section 2.
- Allow the unit to run until the temperature stabilizes. Check the O₂ and CO₂ operation and return the unit to service.

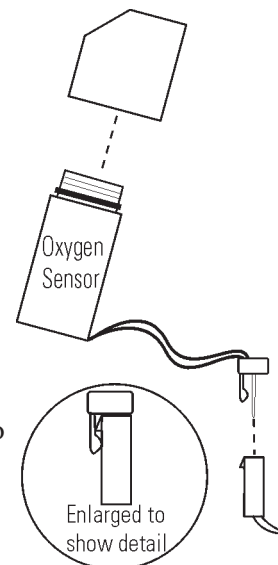


Figure 5-13. Detail

Adding /Replenishing Rust Inhibitor

The Model 3100 Series incubators are shipped from the factory with a rust inhibitor added to the water in the jacket. This inhibitor must be replenished every 2 years. Mix 1 bag/bottle of the rust inhibitor with a gallon of distilled, de-mineralized, or de-ionized water. Drain a gallon of water from the jacket and replace it with the rust inhibitor mixture.

Rust Inhibitor (0.5 lb.) bag	1900100
Rust Inhibitor (800ml) bottle (use in units with a cooling coil)	1900101

Section 6 Factory Installed Options

Remote Alarm Contacts



A set of relay contacts are provided to monitor alarms through an RJ-11 telephone style connector on the back of the cabinet. Refer to Figure 1-13 for the location of the alarm connector.

The remote alarm provides a NO (normally open) output, a NC (normally closed) output and COM (common). Refer to Figure 6-1.

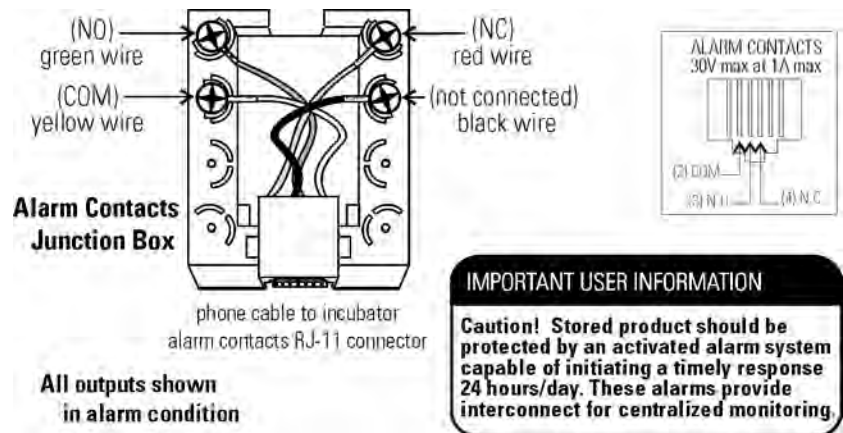


Figure 6-1. Contacts

The contacts will trip on a power outage or an over temperature condition. The contacts may also be programmed to trip or not trip on temperature alarms, CO₂ alarms, O₂ alarms, and RH alarms. See Section 3, System Configuration.

Connecting the RS485 Interface (190523)

All incubator models can be purchased with the RS485 communications option. This option allows the incubator to be directly connected to a Model 1535 alarm system without the use of a communications module. A junction box is provided with each RS485 option. Refer to Figure 6-2 for wiring details.

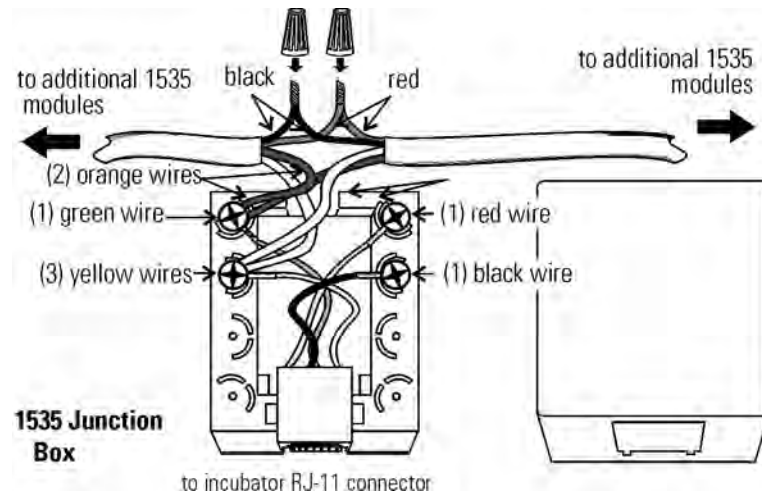


Figure 6-2. Wiring

To allow the incubator and the 1535 to communicate, an address must be allocated on the 1535. Refer to Section 5.8 of the 1535 operating manual. The same address number must be assigned to the incubator. Refer to Section 3 of this manual, System Configuration.

Connecting Analog Output Boards

Warning The electronics drawer contains hazardous voltages. Opening the drawer and/or wiring in an analog board should be performed by qualified personnel only. ▲

The analog output board option allows the incubator to output analog signals representing the air temperature of the cabinet, the CO₂ content, the O₂ content, and the relative humidity, depending upon which systems are in the incubator. There are three different analog output board options available: 0-1V, 0-5V, or 4-20mA signals. Negative display readings will output 0V. The outputs do not have isolated grounds. See Table 6-1 for output specifications of the three boards.

Table 6-1. Analog Output Board Specifications

	190512 4-20mA Output Scaling 4-20mA Equals	190544 0-1V Output Scaling 0-1V Equals	190543 0-5V Output Scaling 0-5V Equals
Temp	00-100°C	0.0-100°C	0.0-100°C
RH	0-100%RH	0-100%RH	0-100%RH
CO2	0.0-100.0%CO@	0-100.0%CO2	0-100.0%CO@
O2	0.0-100.0%O2	0-100.0%O2	0-100.0%O2

For the 0-1V and 0-5V boards, the recording device must supply a load ≥ 1000 ohm. For the 4-20mA board, the recorder must supply a load of ≤ 100 ohm.

To wire in the analog output board, a 22-gauge, 3-conductor wire with a shield (Part # 73041) is recommended, maximum length 50 ft (15.2m). This is readily available from other vendors including Alpha Part #2403, and Deerborn Part # 972203.

Warning Accuracy of the output at the board terminal strip to the incubator display is ± 1 unit. There is no calibration from the incubator. Calibration to the incubator display must be at the instrument connected to the output board. ▲

1. Turn off the incubator's power switch and unplug the power cord from the wall outlet.
2. Open the exterior cabinet door and remove the two screws shown in Figure 6-3.

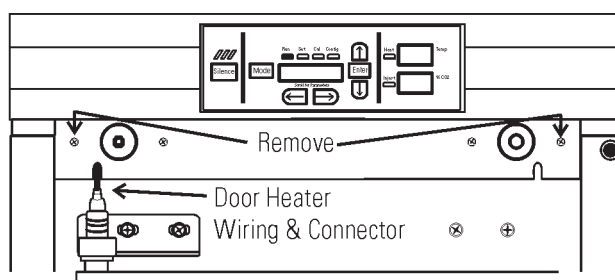


Figure 6-3. Screw Locations

Section 6

Factory Installed Options

- Carefully slide out electronics drawer and locate the Analog Output board (Figure 6-4).

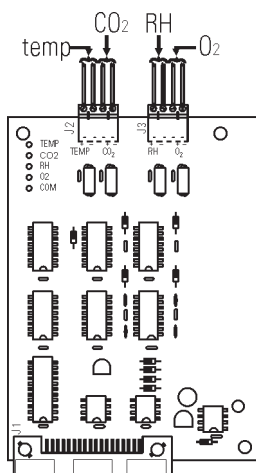


Figure 6-4. Analog Output Board

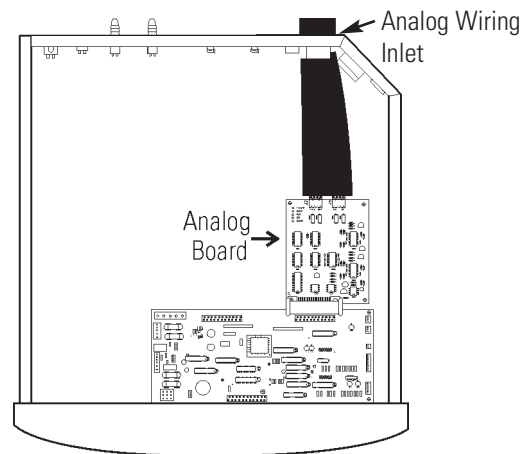


Figure 6-5. Analog Wiring Inlet

- Each system monitored (Temp, CO₂, O₂, RH) requires two conductors. Feed the wire through the analog wiring inlet on the back of the drawer. See Figure 6-5.
- Strip the ends of each conductor and wire to the appropriate terminals of connectors J2 and J3 on the analog board.
- When wiring is completed, slide the electronics drawer back in being very careful to place the door heater cable back into the provided slot so that the drawer does not pinch the cable. See Figure 6-3.
- Replace the two screws removed earlier and return the unit to service.

Gas Guard for CO₂ or N₂ (190640/190642)

The Model 3100 Series incubators can be equipped with a built-in gas guard system that will operate with either a CO₂ or a N₂ gas supply. Only one gas guard can be installed on each unit. The gas guard uses two pressure switches to continuously monitor the pressures of two independent CO₂ or N₂ supplies and automatically switches from one supply to the other when the supply pressure drops below 10 psig (0.690 bar). The gas guard is not designed to be used with multiple incubators.

Both of the CO₂ or the N₂ gas supplies must be equipped with two-stage pressure regulators. The high pressure gauge at the tank should have a 0-2000 psig range and the low pressure gauge should have a 0-30 psig range. The gas supply to the incubator must be maintained at 15 psig (1.034 bar), ± 5 psig. Gas pressures below 15 psig (1.034 bar) will cause nuisance alarms to occur on incubators equipped with the built-in Gas Guard.

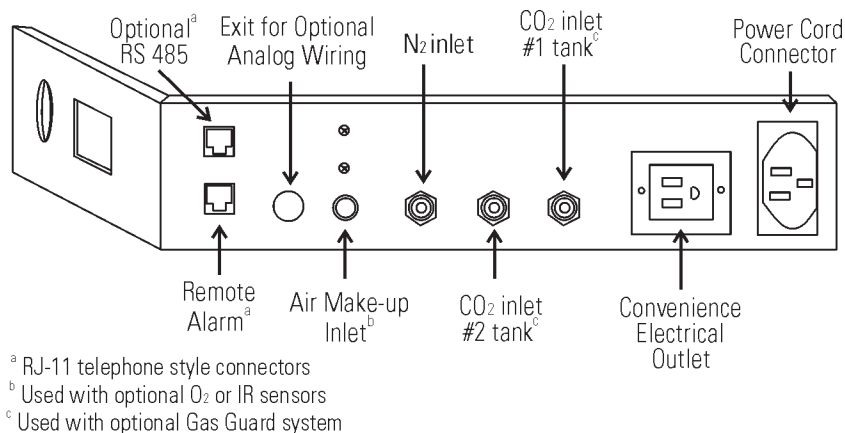


Figure 6-6. Unit Back with All Connections

Connecting CO₂ Gas Supplies

The CO₂ inlets for a built-in gas guard are located on the rear of the electronics drawer (see Figure 6-6). Using 1/4" ID tubing, connect one of the CO₂ supply tanks to the fitting labeled CO₂ Inlet #1 Tank. Connect the second CO₂ supply tank to the fitting labeled CO₂ Inlet #2 Tank. Install 3/8" hose clamps to secure the 1/4" ID tubing to the fittings on the rear of the drawer.

Connecting N₂ Gas Supplies

The N₂ inlets for a built-in gas guard are located on the rear of the electronics drawer (see Figure 6-6). Using 1/4" ID tubing, connect one of the N₂ supply tanks to the fitting labeled N₂ Inlet #1 Tank. Connect the second N₂ supply tank to the fitting labeled N₂ Inlet #2 Tank. Install 3/8" hose clamps to secure the 1/4" ID tubing to the fittings on the rear of the drawer.

De-activating Built-in Gas Guard

The built-in Gas Guard is turned ON when shipped from the factory. In addition, the Tank Select for the gas guard is specified as Tank 1 when shipped. Refer to Section 3, Configuration, to de-activate the Gas Guard or change the Tank Select from 1 to 2. If the operator does not want to use the Gas Guard, the incubator functions normally by supplying CO₂ (or N₂) through the CO₂ Inlet #1 Tank (or the N₂ Inlet #1 Tank).

Operation of CO₂ or N₂ Gas Guard

With the Gas Guard in operation, the incubator will use the gas supplied through CO₂ (or N₂) Inlet #1 Tank until the pressure drops below approximately 10 psig. At this time, the Gas Guard automatically switches to the gas supplied through CO₂ (or N₂) Inlet #2 Tank.

In addition, the incubator automatically changes the Tank Sel in Configure mode from 1 to 2 to indicate that the incubator is now using gas supplied through CO₂ (or N₂) Inlet # 2 Tank. If the gas supply to CO₂ (or N₂) Inlet #1 Tank is replenished, the incubator will continue to operate using the gas supplied through CO₂ (or N₂) Inlet #2 Tank unless the operator changes the Tank Select from 2 to 1 through the Configuration mode. Refer to Section 3, Configuration.

An audible alarm and two visual alarms occur on the control panel when the gas guard switches from one supply to the other. The audible alarm will sound until the operator presses the Silence key on the control panel. A visual alarm in the Message Center will read Tank 1 Low while the audible alarm is sounding, but will be removed after the operator presses the Silence key.

Caution Both the audible and visual alarms described above do not ring back once the Silence key is pressed. ▲

However, there is a second visual alarm, Tank Low, that illuminates in red below the Silence key on the control panel when either of the two gas supplies fall below 10 psig (0.690 bars). The Tank Low remains illuminated as long as the gas guard detects a low pressure on either of the gas supply lines. This message is a reminder for the operator to replace or check for insufficient gas supply to the incubator.

If the gas guard does not detect an adequate gas supply at the CO₂ (or N₂) Inlet #1 Tank or CO₂ (or N₂) Inlet #2 Tank, a visual and audible alarm will again occur on the control panel. The visual alarm in the Message Center will read Tank 1&2 Low. The audible alarm will continue to ring until the Silence key is pressed. The audible alarm will ring back every 15 minutes after the alarm is silenced, if the Gas Guard continues to detect that both gas supply pressures are below 10 psig (0.690 bars).

Humidity Readout (190643)

The 3100 Series incubators can be equipped with a humidity sensor to monitor the relative humidity (RH) inside the chamber. The sensor is mounted to the top air duct and provides a signal that is displayed in 1% increments on the control panel. The humidity readout can be displayed continuously or toggles with the temperature readout. In addition, a low alarm limit can be set on the humidity readout which will detect when the humidity pan runs dry. Refer to Section 3, Configuration.

Factors Affecting Humidity Level in Chamber:

- Water level in the humidity pan
- Frequency of door openings
- Humidity pan location; floor, shelf, in duct
- Air leakage through the gaskets
- Gas sample port capped
- N₂ purge on incubators with O₂ control.
- Humidity levels in O₂ units (Models 3130/3131, 3140/3141) will be reduced, depending on the amount of N₂ required to control the O₂ level in the chamber.

The following table lists some typical RH levels at different O₂ and CO₂ percentages.

Table 6-2. Typical RH levels

O ₂ %	CO ₂ %	RH% (±5%)
1%	2.5%	55%
2%	5%	60%
5%	10%	75%
10%	10%	80%
21%	5%	95%

Incubators equipped with a Thermal Conductivity CO₂ sensor rely on a constant level of relative humidity in order to accurately measure and control the CO₂ concentration in the incubator.

The sensor is capable of measuring relative humidity from 10% to 100% with an accuracy of ±5% above 90%. See Section 2, Calibration for details on calibrating the humidity readout.

Cooling Coil

Note For customer convenience, 12 ft. of 3/8" I.D. vinyl tubing with 4 clamps is included in the shipping materials. ▲

The operating (setpoint) temperature range of the incubator with the cooling coil installed is from +5°C above ambient down to +15°C.

The cooling coil incubator incorporates a finned, U-shaped copper pipe installed within the water jacket. This pipe routes chilled water supplied by a laboratory bath. (Be aware that your bath may not be set to restart after a power failure. Read the manufacturer's operating instructions.)

Verify that the supply line pressure does not exceed 20 psig (138KPa).

When the cooling coil is in use, several factors affect the uniformity inside the incubator chamber: the temperature difference between the operating temperature set point and the bath water temperature; the flow rate of the chilled water, and the on-time percentage of the door heaters.

As determined in carefully controlled laboratory tests, the smaller the difference between the temperature of the bath and the setpoint temperature of the incubator, the better the uniformity. However, decreasing this temperature difference does cause less control of the system because if the bath does not cool the water jacket adequately, the heaters do not cycle and the chamber temperature simply drifts with the ambient temperature of the room.

Tests have shown that as a starting point, operating the bath at 2°C to 3°C below the incubator's operating setpoint temperature, with a cooling water flow rate of 1/2 to 1 GPM (gallons per minute), should result in good control and uniformity.

Because of the efficiency of the cooling coil design, it is possible for condensation to occur on the outside of the incubator's water jacket when operating in certain ambient temperature and relative humidity conditions. The condensation will then saturate the fiberglass insulation between the water jacket and the incubator cabinet.

Using psychrometric data from the Carrier Psychrometric Chart, curves of maximum allowable RH versus ambient temperature can be plotted for different incubator/bath conditions (refer to Figure 6-7).

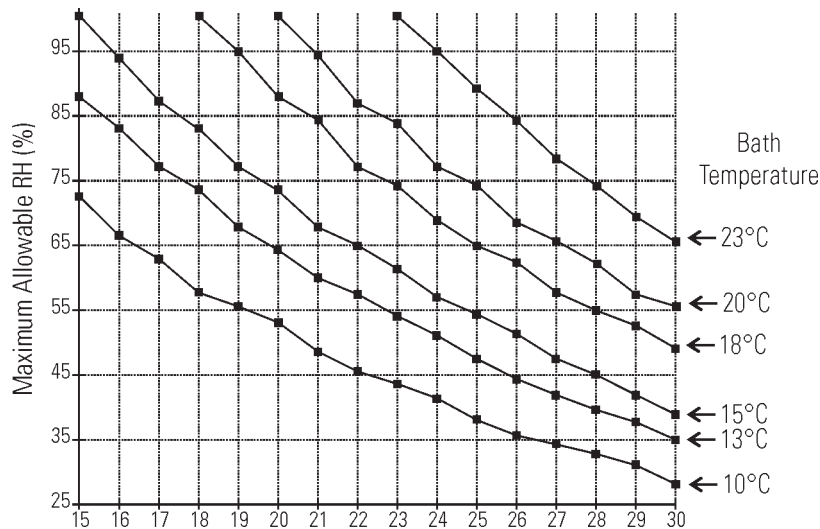


Figure 6-7. RH Limits to Avoid Water Jacket Condensation

For example, if the bath is to be operated at 15°C and the ambient temperature is about 28°C, the RH in the room must be less than 45% to avoid condensation forming between the chamber water jacket and the outside of the cabinet.

Installing Cooling Coil Incubator

Hose barbs are factory installed into the fittings on the back of the cabinet, as shown below. They can be used as the water inlet or outlet to the bath. Locate the vinyl tubing and hose clamps shipped inside the incubator. Cut the tubing in half. The bath can be located up to six feet from the incubator.

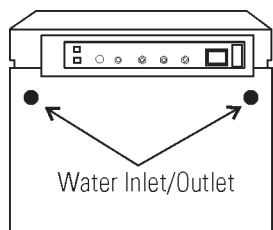


Figure 6-8. Back of Unit

Section 7 Specifications

*Specifications are based on nominal voltages of 115V or 230V in ambients of 22°C to 25°C.

Temperature

Control	±0.1°C
Range	+5°C above ambient to +55°C (131°F)
Uniformity	±0.2°C @ +37°C
Tracking Alarm	User programmable high/low

Temperature Safety

Sensor	Precision thermistor
Controller	Independent analog electronic
Setability	0.1°C

CO₂/O₂

CO ₂ /O ₂ Control	Better than ±0.1%
CO ₂ Range	0-20%
O ₂ Range	1-20%
Inlet Pressure	15 PSIG (1.034 bars), ±5 PSIG
CO ₂ Sensor	T/C or IR
O ₂ Sensor	Fuel Cell
Readability	0.1%
Setability	0.1%
Tracking Alarm	User programmable

Humidity

RH	Ambient to 95% @ +37°C (98.6°F)
Humidity Pan	0.8 gal. (3 liters) standard
Optional	Display in 1% increments

Fittings

Fill Port	3/8" barbed
Drain Port	1/4" barbed
Access Port	1-1/4" (3.18cm) removable neoprene plug
CO ₂ Inlet	1/4" hose barbed

Unit Heat Load

115V/230V 344 BTUH (100 Watt)

Shelves

Dimensions 18.5" x 18.5" (47.0cm x 47.0cm)
Construction Stainless steel, perforated, electropolished
Surface area 2.4 sq. ft. (0.22 sq. m) per shelf
Max. per Chamber 38.4 sq.ft. 3.6 sq. m)
Loading 35 lbs (16kg) slide in and out,
 50 lbs (23kg) stationary

Standard 4
Maximum 16

Construction

Water Jacket Volume 11.7 gal. (43.5 liters)
Interior Volume 6.5 cu. ft. (184.1 liters)
Interior Type 304, mirror finish, stainless steel
Exterior 18 gauge, cold rolled steel, powder coated
Outer Door Gasket Four-sided, molded magnetic vinyl
Inner Door Gasket Removable, cleanable, feather-edged, silicone

Electrical

115V Models 90-125VAC, 50/60 Hz, 1 PH, 3.6 FLA
230V Models 180-250VAC, 50/60 Hz, 1 PH, 2.0 FLA
Circuit Breaker/Power Switch 6 Amp/2 Pole
Convenience Receptacle 75 Watts max. (one per chamber)
Alarm Contacts Power interruption, deviation of temp., CO₂,
 O₂, and RH, customer connections through jack
 on back of unit. 30V, 1A max.

Optional Data Outputs RS-485, 0-1V, 0-5V, 4-20mA
Installation Category Overvoltage Category II
 Pollution Degree 2

Maximum Leakage Current With ground disconnected, 0.65mA
 Maximum permissible leakage, 3.5mA

Dimensions

Interior 21.3" W x 26.8" H x 20.0" F-B
 (54.1cm x 68.1cm x 50.8cm)

Exterior 26.3" W x 39.5" H x 25.0" F-B
 (66.8cm x 100.3cm x 63.5cm)

Weight (per unit)

Net	265 lb. (120.2 kg)
Net Operational	365 lb. (165.6 kg)
Shipping	324 lb. (147.0 kg)

Safety Specifications

Altitude	2000 meters
Temperature	5°C to 40°C
Humidity	80% RH at or below 31°C, decreasing linearly to 50% RH at 40°C

Mains Supply Fluctuations Operating Voltage Range

Installation Category 2¹

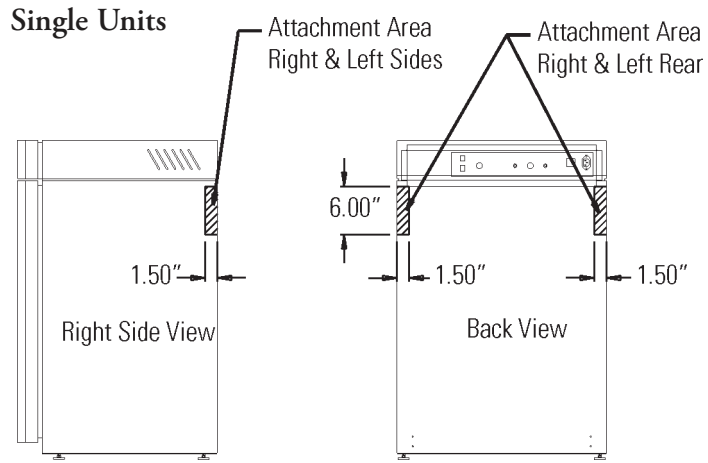
Pollution Degree 2²

Class of Equipment

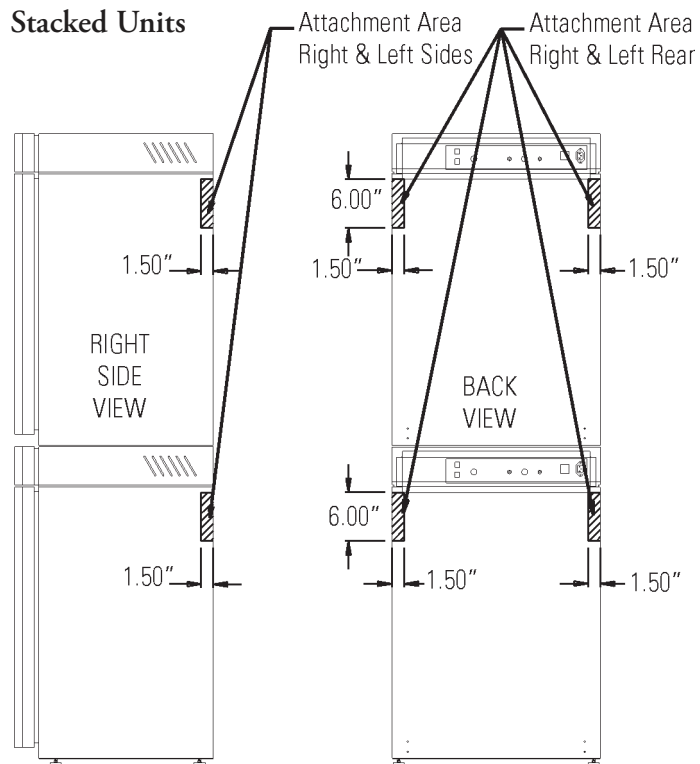
¹ Installation category (overvoltage category) defines the level of transient overvoltage which the instrument is designed to withstand safely. It depends on the nature of the electricity supply and its overvoltage protection means. For example, in CAT II which is the category used for instruments in installations supplied from a supply comparable to public mains such as hospital and research laboratories and most industrial laboratories, the expected transient overvoltage is 2500V for a 230V supply and 1500V for a 120V supply.

² Pollution Degree describes the amount of conductive pollution present in the operating environment. Pollution Degree 2 assumes that normally only non-conductive pollution such as dust occurs with the exception of occasional conductivity caused by condensation.

Unit Attachment Location

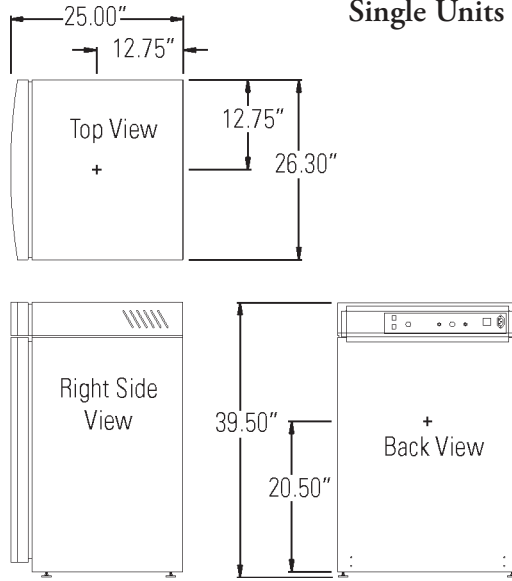


Caution Do not drill deeper than 1/2 inch.
Exterior wrap is 18 ga. cold rolled steel. ▲

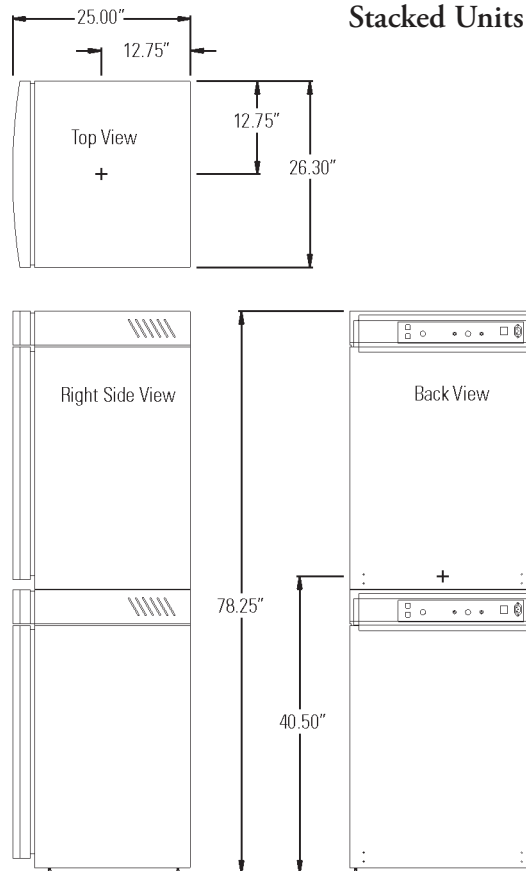


Unit Center of Gravity Locations

Single Units



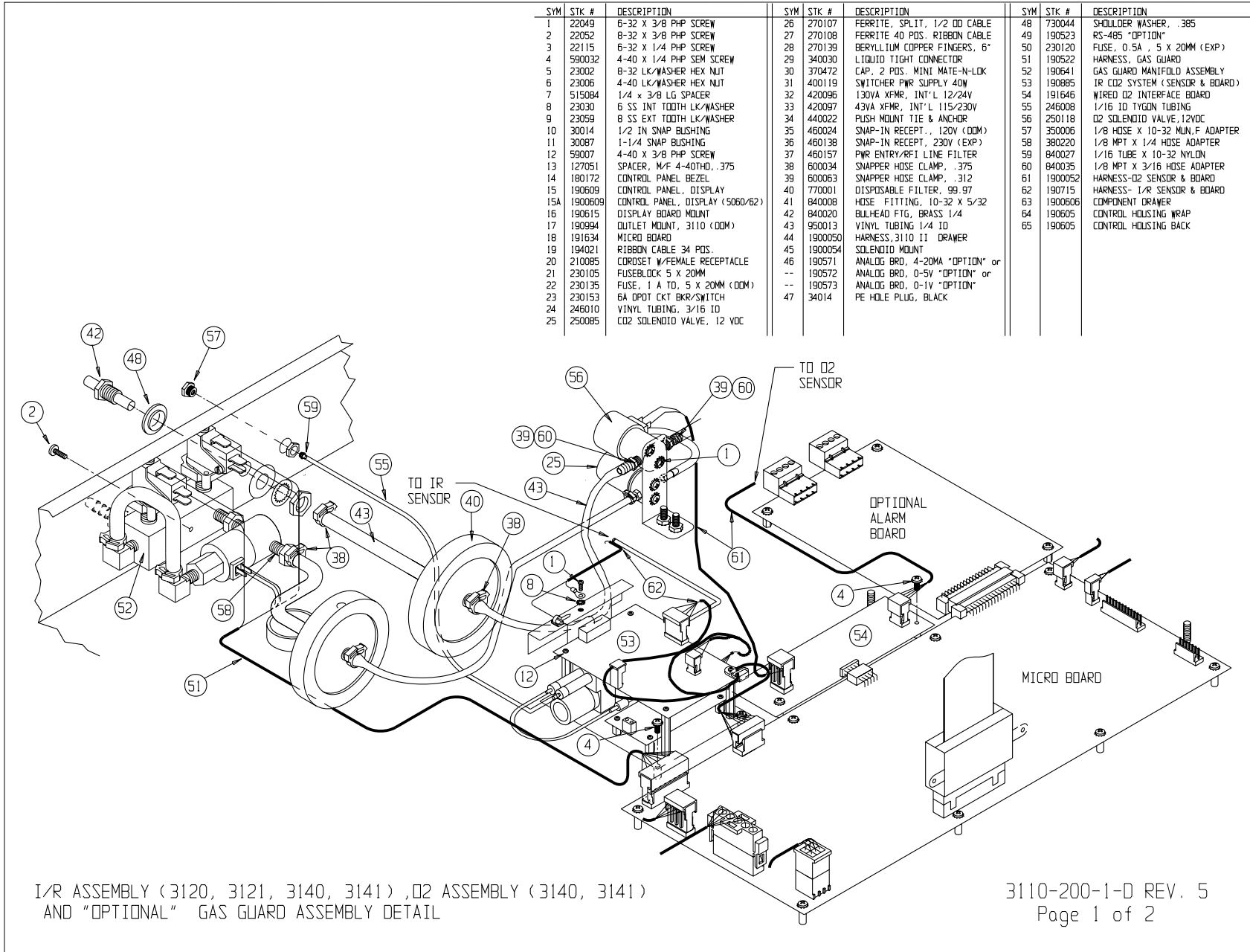
Stacked Units



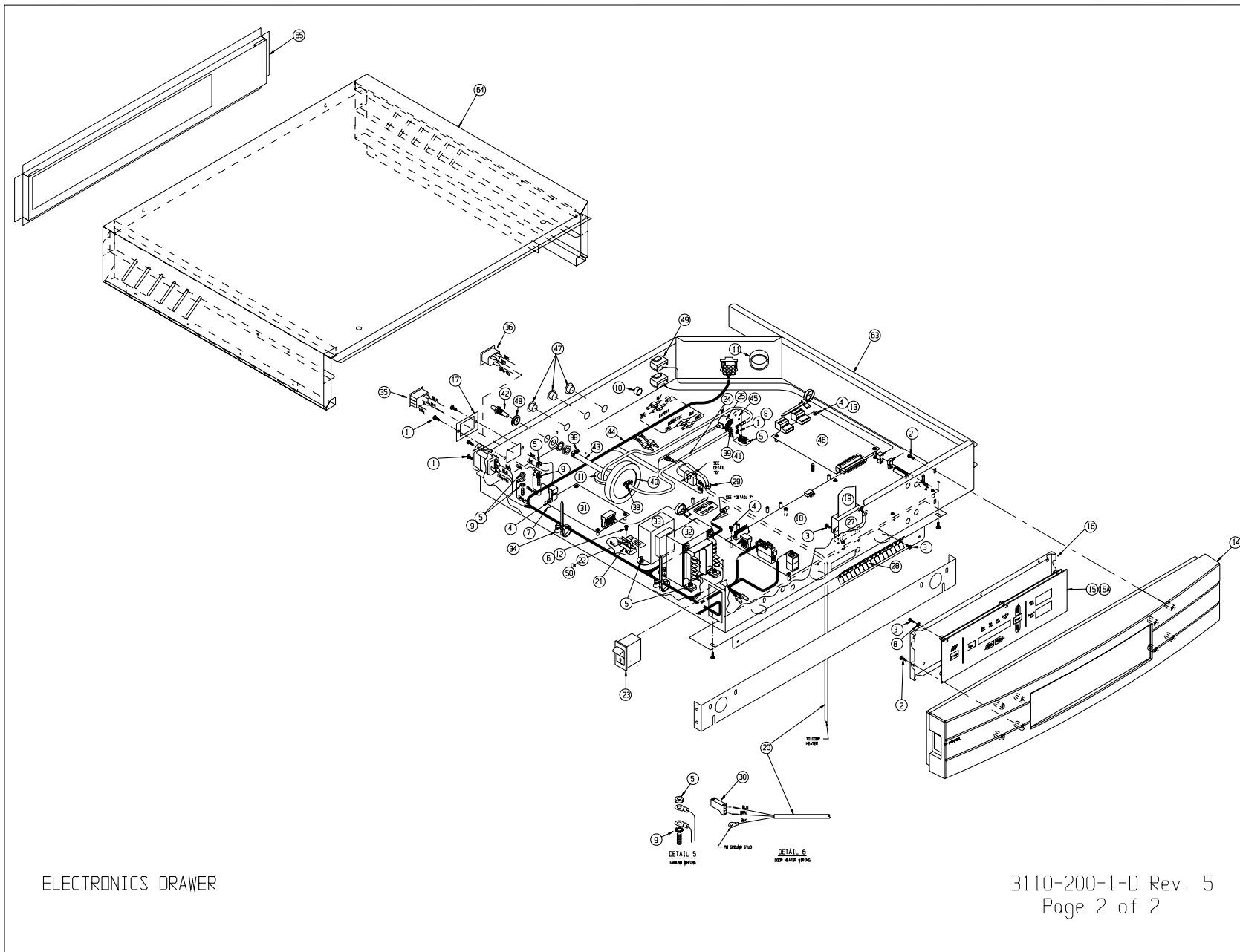
Section 8 Spare Parts

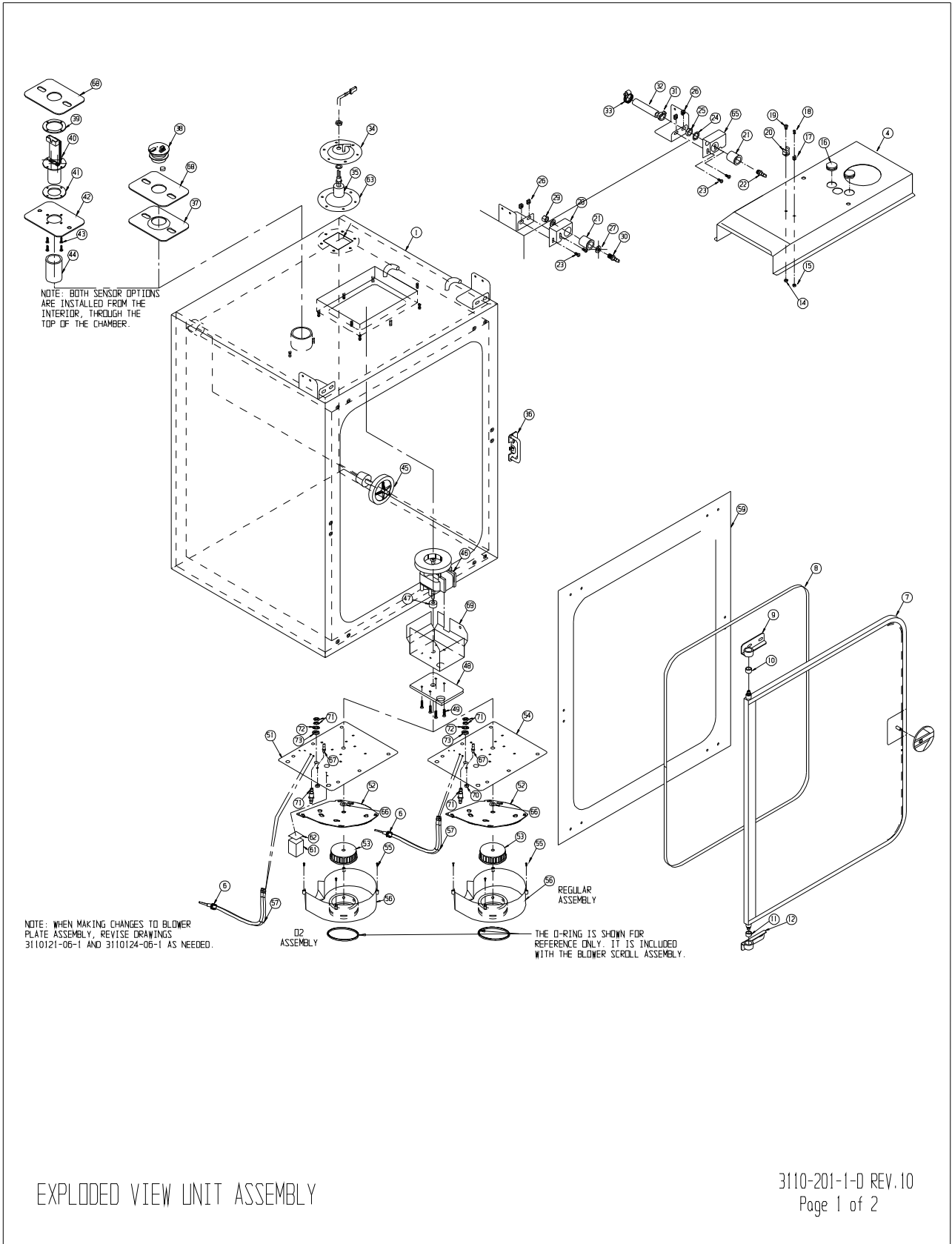
All Models	Part #	Description
	360171	Liquid Level Switch
	191534	Feather Gasket
	113002	5/16-18 Glide Foot
	132046	115/230V Dual Heater
	132049	Face Heater 40W, 24VAC
	190730	Heated Inner Door
	190619	Left Inner Door Hinge
	190618	Right Inner Door Hinge
	700013	0.500" Flanged Nylon Bearing
	990026	Door Gasket w/ Magnet
	290184	Temp Probe 2252 Ohm
	191634	Micro Board
	190609	Display Board
	230153	6A Circuit Breaker/Switch
	460157	Line Filter/Power Inlet
	420096	130VA Transformer, Int'l, 14/28V S
	230135	1 AMP Fuse for 115V Outlet
	230159	3.5 Amp Fuse - Microboard
	230158	2.5 Amp Fuse - Microboard
	250087	Solenoid Valve Kit w/assorted fittings
	1900071	Motor 2-Pole 115VAC
	100113	Blower Wheel 3.5x1.5 CCW
	190846	Blower Scroll Assembly
	103072	Blower Plate Gasket
	290090	CO ₂ Sensor Assembly
	103074	CO ₂ Sensor Plate Gasket
	130097	#6 Silicone Stopper w/ 3/8" Hole
	180001	Polypropylene Funnel
	430108	Line Cord Set
	110084	Drain Plug

All Models (continued)	Part #	Description
	770001	Bacterial Air Filter (CO ₂ line, air, sample and access port)
	760175	HEPA Filter
	760199	HEPA2 VOC Filter Accessory Kit (760200 HEPA ² , 117036 silicone plug, 101018 O-ring)
	1900067	Filter Replacement Kit ([2] 770001 filter and 760175 HEPA)
	1900094	HEPA2 VOC Filter Replacement Kit (760200 HEPA ² , 190985 access port filter, 770001 filter)
	130096	Clean Stick (for water reservoirs, pans, and bottles)
	130101	Clean Stick (quantity of 6)
	190566	Inner Door Heater Cable
Spare Parts - 230V (3111, 3121, 3131, 3141)	420097	43VA Transformer, INT. SRS
	460138	Power Outlet, Snap-In Receptacle
	230120	1/2 AMP Fuse for 230 V outlet
Spare Parts - IR or O₂ (3120/3121, 3130/3131, 3140/3141)	190885	IR Sensor
	191646	O ₂ Circuit Board
	250119	AC Solenoid
	770001	Filter
	250118	Valve, Sol, O ₂ , 12VDC, 4W
	290083	O ₂ Sensor Fuel Cell
	190661	IR Sensor Filter
Spare Parts - Gas Guard (190640/190642)	250121	Solenoid Valve, 3-way, 12VDC
	360213	Pressure Switch
Spare Parts - Humidity Readout (190643)	290154	RH Sensor Assembly, 1 ft.
Spare Parts - Data Output Options	190512	Analog Output Board 4-20 mA
	190543	Analog Output Board 0-5V
	190544	Analog Output Board 0-1V
	73041	24 Ga. 3 Conductor, Analog Output Wire
	190523	RS485 Output Kit



I/R ASSEMBLY (3120, 3121, 3140, 3141), O2 ASSEMBLY (3140, 3141) AND "OPTIONAL" GAS GUARD ASSEMBLY DETAIL

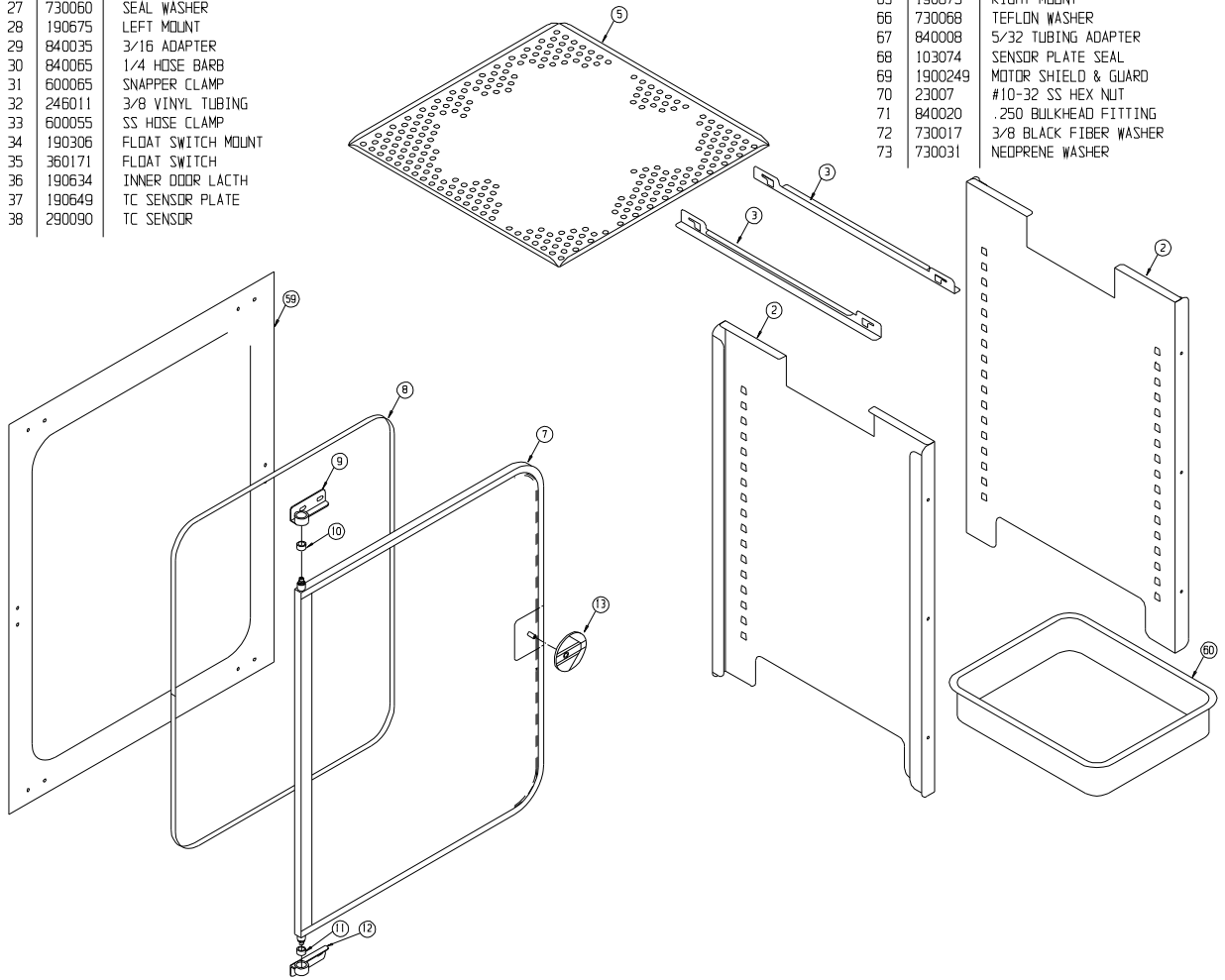




Section 8
Spare Parts

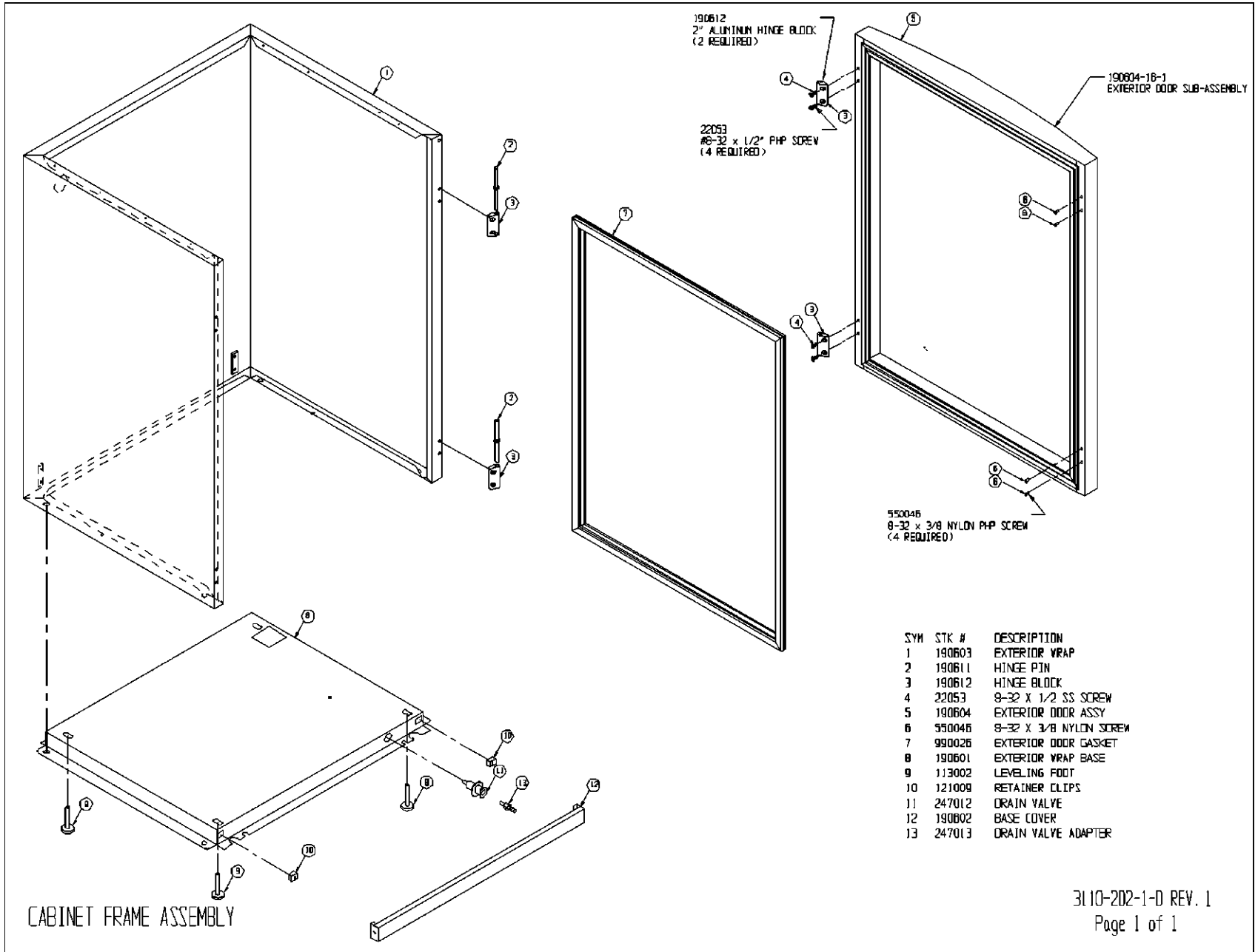
SYM	STK #	DESCRIPTION
1	1900600	WATER JACKET CHAMBER
2	190723	INTERIOR DUCT SHEETS
3	190664	SHELF CHANNELS
4	1900056	TOP DUCT(1900057 COPPER)
5	224175	SHELF
6	114021	.250" ID SILICONE GROMMET
7	190730	INNER GLASS DOOR
8	191534	INNER DOOR GASKET
9	190618	TOP INNER DOOR HINGE
10	700013	TOP INNER DOOR HINGE BUSHING
11	700046	BOTTOM INNER DOOR HINGE BUSHING
12	190619	BOTTOM INNER DOOR HINGE
13	180210	INNER DOOR KNOB
14	23010	8-32 SS NUT
15	23005	4-40 SS NUT
16	114022	15/16 BLIND GROMMET
17	111022	1/4" PROBE CLIP
18	22130	4-40 X 1/4 SS SCREW
19	22051	8-32 X 1/4 SS SCREW
20	111007	13/32 RH PROBE CLIP
21	190294	FILL PORT ACCESS
22	840043	PLASTIC HOSE BARB
23	22052	8-32 X 3/8 SS SCREW
24	290128	1/2" LOCK WASHER
25	840043	NUT (PART OF #22)
26	610055	8-32 CLIP NUT
27	730060	SEAL WASHER
28	190675	LEFT MOUNT
29	840035	3/16 ADAPTER
30	840065	1/4 HOSE BARB
31	600065	SNAPPER CLAMP
32	246011	3/8 VINYL TUBING
33	600055	SS HOSE CLAMP
34	190306	FLOAT SWITCH MOUNT
35	360171	FLOAT SWITCH
36	190634	INNER DOOR LATCH
37	190649	TC SENSOR PLATE
38	290090	TC SENSOR

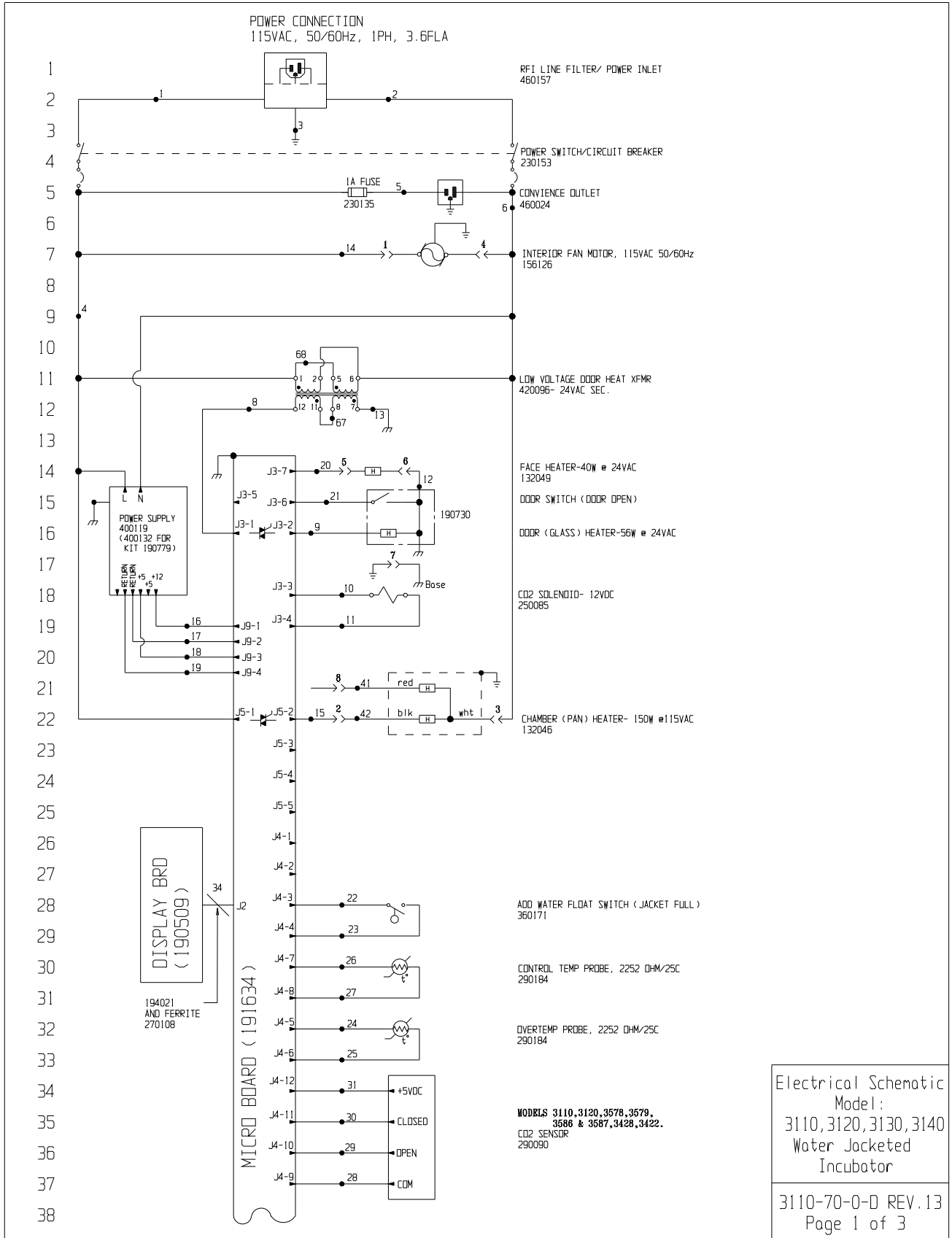
SYM	STK #	DESCRIPTION
39	190712	IR MOUNTING RING
40	190708	"DCS" IR SENSOR
41	103083	IR SENSOR GASKET
42	190711	IR MOUNTING PLATE
43	22130	4-40 X 1/4 SS SCREW
44	190708	IR SENSOR FILTER (PART OF ITEM 40)
45	190985	FILTERED STOPPER ASSEMBLY
46	156126	BLOWER MOTOR
47	730069	MOTOR SHAFT SEAL
48	190655	MOTOR SPACER PLATE
49	590023	8-32 X 3/4 SS SCREWS
50		
51	1900055	O2 BLOWER PLATE ASSY
52	1900124	SCROLL PLATE
53	100113	BLOWER WHEEL "D" SHAFT
54	1900053	STANDARD BLOWER PLATE
55	22134	6-32 X 1/2 "FILISTER" HEAD SCREW
56	190893	BLOWER SCROLL ASSEMBLY
57	290184	TEMPERATURE PROBE
58	760175	HEPA FILTER
59	180174	PVC FACE FRAME
60	237016	HUMIDITY PAN
61	1900058	BRASS O2 BLOCK
62	100064	BRASS BLOCK SEAL
63	103032	FLOAT SWITCH GASKET
64	23024	3/8 FLAT WASHER
65	190675	RIGHT MOUNT
66	730068	TEFLON WASHER
67	840008	5/32 TUBING ADAPTER
68	103074	SENSOR PLATE SEAL
69	1900249	MOTOR SHIELD & GUARD
70	23007	#10-32 SS HEX NUT
71	840020	.250 BULKHEAD FITTING
72	730017	3/8 BLACK FIBER WASHER
73	730031	NEOPRENE WASHER



EXPLODED VIEW UNIT ASSEMBLY

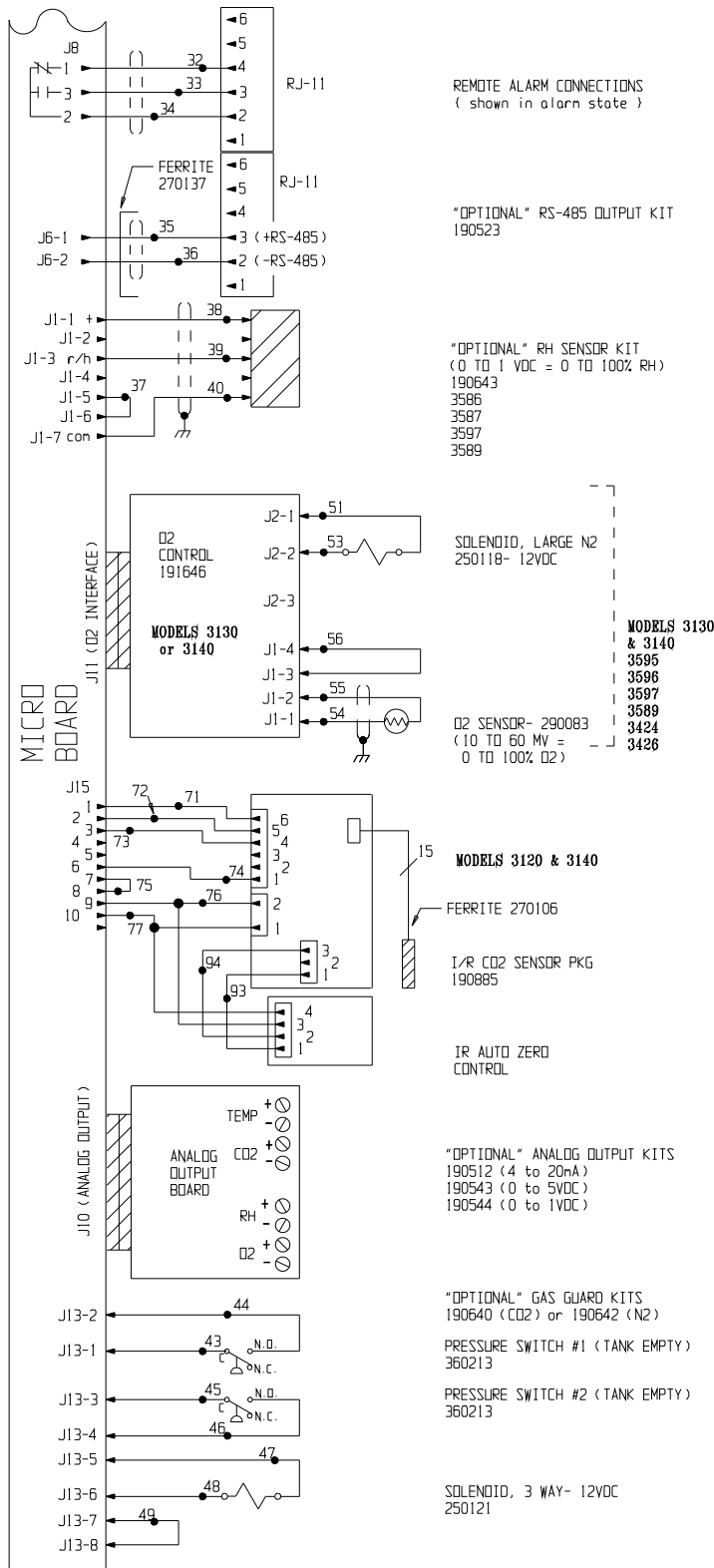
3110-201-1-D REV.10
Page 2 of 2





Section 9
Electrical Schematics

39
40
41
42
43
44
45
46
47
48
49
50
51
52
53
54
55
56
57
58
59
60
61
62
63
64
65
66
67
68
69
70
71
72
73
74
75
76



Electrical Schematic
Model:
3110, 3120, 3130, 3140
Water Jacketed
Incubator

3110-70-0-D REV.13
Page 2 of 3

77
78
79
80
81
82
83
84
85
86
87
88
89
90
91
92
93
94
95
96
97
98
99
100
101
102
103
104
105
106
107

WIRE REFERENCE CHART								
NO.	GA.	COLOR	NO.	GA.	COLOR	NO.	GA.	COLOR
1	16	BROWN	26	22	YELLOW	52	N/U	
2	16	BLUE	27	22	YELLOW	53	20	PURPLE
3	16	GRN/YEL	28	22	GREEN	54	22/2	RED
3B	16	GREEN	29	22	GRAY	55	22/2	BLACK
4	18	BLACK	30	22	PURPLE	56	22	BLACK
5	18	BLACK	31	22	ORANGE	57		
6	18	WHITE	32	22/3	BLACK		N/U	
7	N/U		33	22/3	RED	66		
8	18	BROWN	34	22/3	WHITE	67	18	RED
9	18	BLUE	35	22/2	RED	68	18	ORANGE
10	18	YELLOW	36	22/2	BLACK	69	N/U	
11	18	YELLOW	37	22	BLACK	70	N/U	
12	18	BLACK	38	22/3	BLACK	71	22	BLUE
13	18	GREEN	39	22/3	RED	72	22	ORANGE
14	18	BLUE	40	22/3	GREEN	73	22	YELLOW
15	18	ORANGE	41	18	RED	74	22	BROWN
16	18	RED	42	18	BLACK	75	22	BLACK
17	18	GREEN	43	20	RED	76	22	RED
18	18	ORANGE	44	20	RED	77	22	GREEN
19	18	GREEN	45	20	BLUE	78		
20	18	ORANGE	46	20	BLUE		24/15	I/R CABLE
21	22	BROWN	47	20	ORANGE	91		
22	22	BLUE	48	20	ORANGE	92	22	BLACK
23	22	BLUE	49	20	BLACK	93	22	BROWN
24	22	RED	50	N/U		94	22	WHITE
25	22	RED	51	20	YELLOW			

N/U= Not Used

SENSOR REFERENCE VALUES

CO2 (290090) DIFFERENCE VOLTAGE OF 3-6MV/%CO2
J4-9 & J4-10 TO J4-9 & J4-11

RH (190643) J1-7 & J1-1 = 12VDC
J1-7 & J1-3 = 10MV/%RH

O2 (290083) J6-1 & J6-2 = 12MV @ 21%O2

MODEL	DESCRIPTION
3110	WATER JACKET INCUBATOR - TC CO2
3120	WATER JACKET INCUBATOR - IR CO2
3130	WATER JACKET INCUBATOR - TC O2
3140	WATER JACKET INCUBATOR - IR O2
3578	WATER JACKET INCUBATOR - TC CO2
3579	WATER JACKET INCUBATOR - IR CO2
3595	WATER JACKET INCUBATOR - TC O2
3596	WATER JACKET INCUBATOR - IR O2
3586	WATER JACKET INCUBATOR - TC CO2 RH DISPLAY
3587	WATER JACKET INCUBATOR - IR CO2 RH DISPLAY
3597	WATER JACKET INCUBATOR - TC O2 RH DISPLAY
3589	WATER JACKET INCUBATOR - IR O2 RH DISPLAY
3428	WATER JACKET INCUBATOR - TC CO2 - 115 VOLT
3422	WATER JACKET INCUBATOR - IR CO2 - 115 VOLT
3424	WATER JACKET INCUBATOR - TC O2 - 115 VOLT
3426	WATER JACKET INCUBATOR - IR O2 - 115 VOLT
3074	WATER JACKET INCUBATOR - TC CO2 - 115 VOLT (VWR W/J INC.)
3078	WATER JACKET INCUBATOR - IR CO2 - 115 VOLT (VWR W/J INC.)

NOTES:	
⊗ Denotes Terminal Strip Connection	Parts List Reference Number
Last Relay Number	○ Assembly
Last Terminal Number	◇ Panel
Last Wire Number	○ Refrigeration
→ Denotes Pin & Socket Connection	□ Wiring

THIS DOCUMENT CONTAINS PROPRIETARY INFORMATION AND SUCH INFORMATION IS NOT TO BE DISCLOSED TO OTHERS FOR ANY PURPOSE NOR USED FOR MANUFACTURING PURPOSES WITHOUT WRITTEN PERMISSION FROM THERMO FISHER SCIENTIFIC

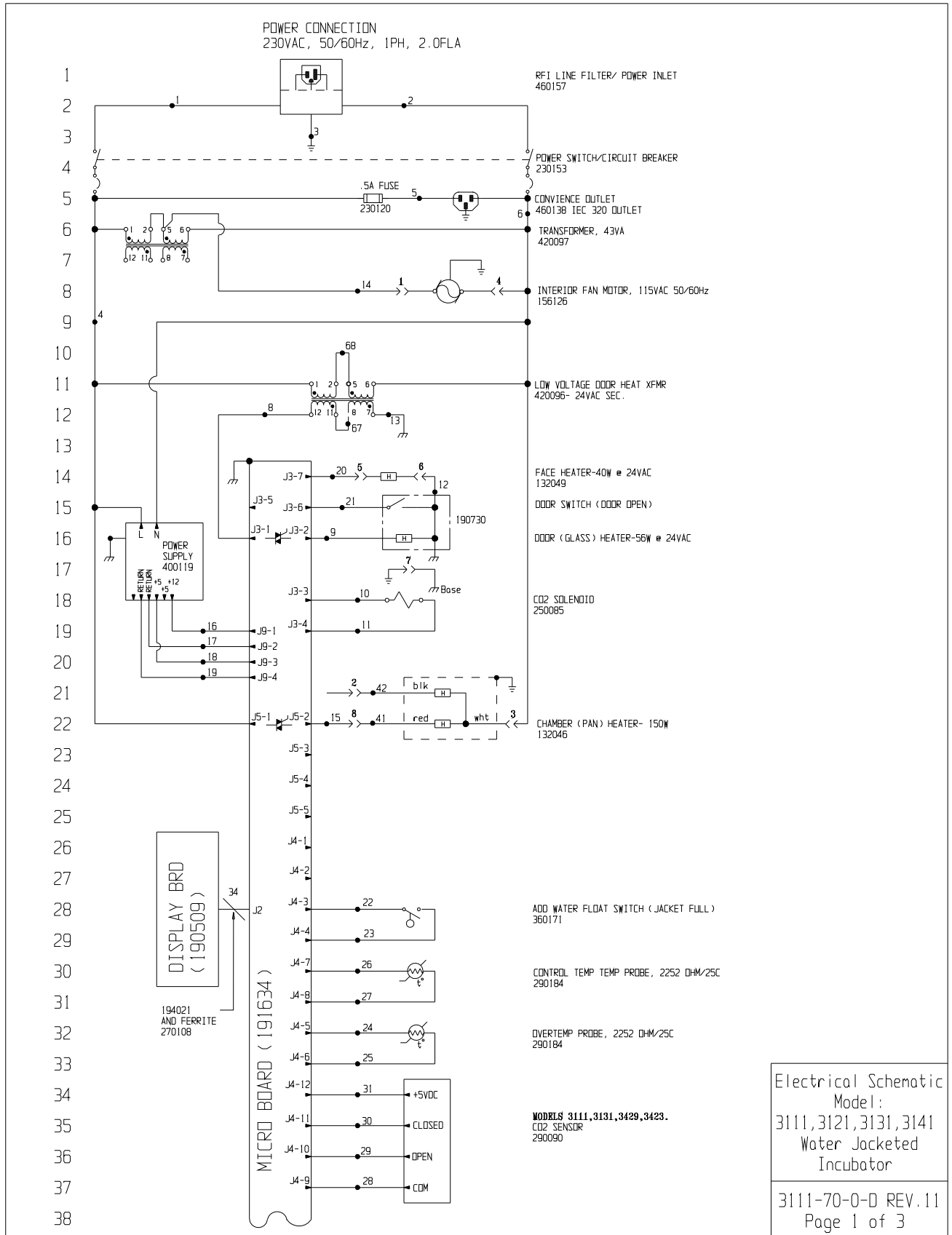
ThermoFisher
SCIENTIFIC
BOX 649, MARIETTA, OHIO 45750

13	IN-3792	06-07-07	GJG	GJG	CCS	ADDED NEW MODEL NUMBERS (VWR W/J)
12	IN-3759	01-12-07	GJG	GJG	MSB	ADDED NEW MODEL NUMBERS (8000 SERIES)
11	IN-3306	06-13-06	GJG	GJG	MSB	ADDED NEW MODEL NUMBERS (FISHER NATED)
10	IN-3124	08-04-03	JNL	KDC	MSB	CHG. 290137 TEMP. PROBE TO 290184
9	IN-3049	10-01-02	GJG	GJG	MSB	REVISED MOTOR PART NUMBER
8	SI-7897	06-05-00	GJG	GJG	MSB	UPDATE PER CHANGES FROM "UL" TESTING
REV	ECN NO.	DATE	BY	CAD/APPO	DESCRIPTION OF REVISION	
DATE	Mar 2000	DWN	GJG	CAD	GJG	APPD ENF SCALE NA
CUSTOMER	MODELS	(SEE LIST ABOVE)				

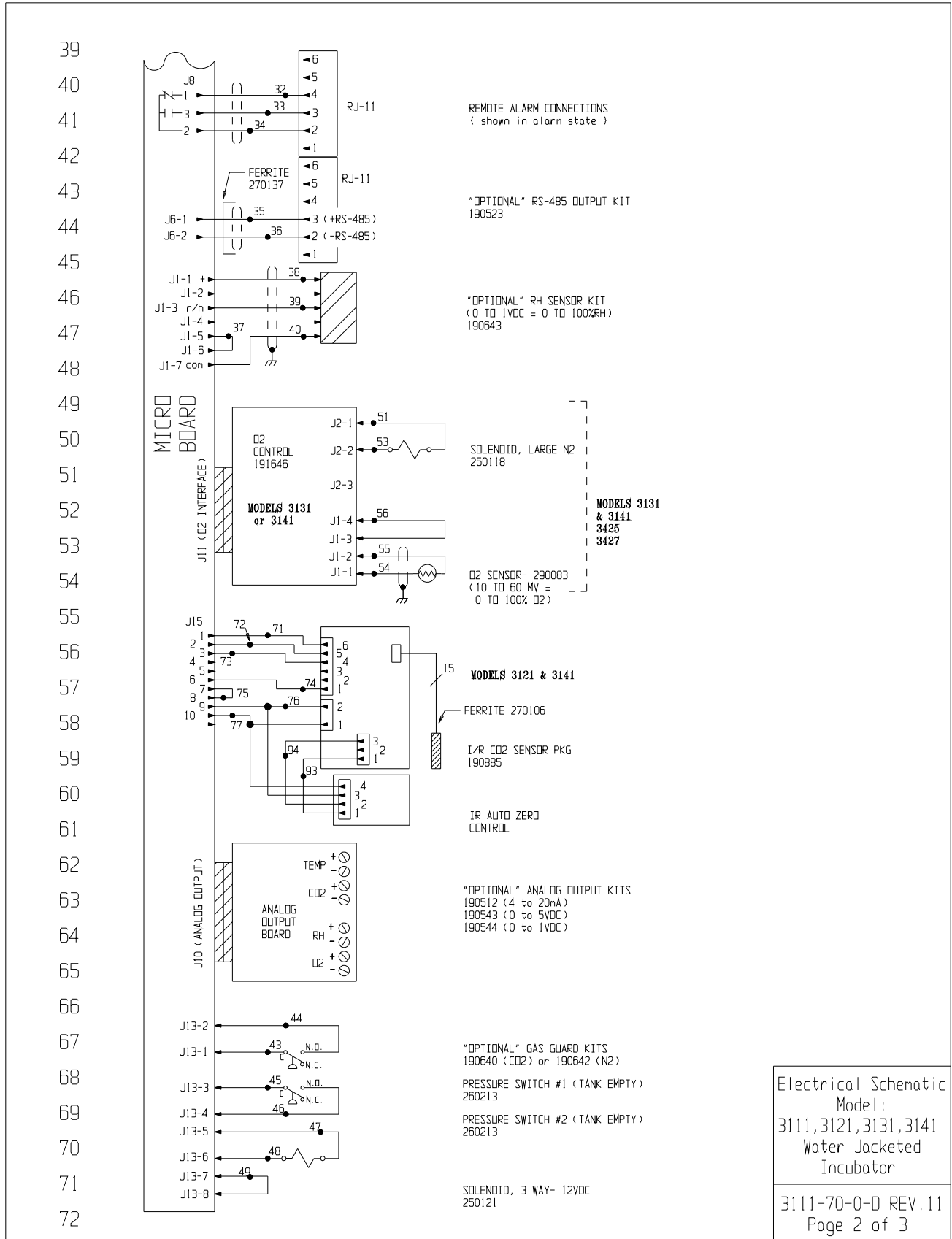
JOB TITLE	MODULAR WATER JACKET INCUBATOR 115 VOLT (DOM.)
DWG TITLE	ELECTRICAL SCHEMATIC
LOCATION	JOB NUMBER
INCUBATR	DRAWING NUMBER
	3110-70-0-D

Electrical Schematic
Model:
3110, 3120, 3130, 3140
Water Jacketed
Incubator

3110-70-0-D REV.13
Page 3 of 3



Section 9
Electrical Schematics



Electrical Schematic
Model:
3111, 3121, 3131, 3141
Water Jacketed
Incubator
3111-70-0-D REV.11
Page 2 of 3

77
78
79
80
81
82
83
84
85
86
87
88
89
90
91
92
93
94
95
96
97
98
99
100
101
102
103
104
105
106
107

WIRE REFERENCE CHART								
NO.	GA.	COLOR	NO.	GA.	COLOR	NO.	GA.	COLOR
1	16	BROWN	26	22	YELLOW	52	N/U	
2	16	BLUE	27	22	YELLOW	53	20	PURPLE
3	16	GRN/YEL	28	22	GREEN	54	22/2	RED
3B	16	GREEN	29	22	GRAY	55	22/2	BLACK
4	18	BLACK	30	22	PURPLE	56	22	BLACK
5	18	BLACK	31	22	ORANGE	57		
6	18	WHITE	32	22/3	BLACK		N/U	
7	N/U		33	22/3	RED	66 ↓		
8	18	BROWN	34	22/3	WHITE	67	18	RED
9	18	BLUE	35	22/2	RED	68	18	ORANGE
10	18	YELLOW	36	22/2	BLACK	69	N/U	
11	18	YELLOW	37	22	BLACK	70	22	BLACK
12	18	BLACK	38	22/3	BLACK	71	22	BLUE
13	18	GREEN	39	22/3	RED	72	22	ORANGE
14	18	BLUE	40	22/3	GREEN	73	22	YELLOW
15	18	ORANGE	41	18	RED	74	22	BROWN
16	18	RED	42	18	BLACK	75	22	BLACK
17	18	GREEN	43	20	RED	76	22	RED
18	18	ORANGE	44	20	RED	77	22	GREEN
19	18	GREEN	45	20	BLUE	78		I/R
20	18	ORANGE	46	20	BLUE		24/15	CABLE
21	22	BROWN	47	20	ORANGE	91 ↓		
22	22	BLUE	48	20	ORANGE	92	22	BLACK
23	22	BLUE	49	20	BLACK	93	22	BROWN
24	22	RED	50	N/U		94	22	WHITE
25	22	RED	51	20	YELLOW			

N/U= Not Used

SENSOR REFERENCE VALUES

CO2 (290090) DIFFERENCE VOLTAGE OF 3-6MV/2CO2
J4-9 & J4-10 TO J4-9 & J4-11

RH (190643) J1-7 & J1-1 = 12VDC
J1-7 & J1-3 = 10MV/2RH

O2 (290083) J6-1 & J6-2 = 12MV @ 21%O2

MODEL	DESCRIPTION
3111	WATER JACKET INCUBATOR - TC CO2
3121	WATER JACKET INCUBATOR - IR CO2
3131	WATER JACKET INCUBATOR - TC O2
3141	WATER JACKET INCUBATOR - IR O2
3429	WATER JACKET INCUBATOR - TC CO2 (THERMO 8000)
3423	WATER JACKET INCUBATOR - IR CO2 (THERMO 8000)
3425	WATER JACKET INCUBATOR - TC O2 (THERMO 8000)
3427	WATER JACKET INCUBATOR - IR O2 (THERMO 8000)
3075	WATER JACKET INCUBATOR - TC CO2 - 230VOLT (VWR W/J INC.)
3079	WATER JACKET INCUBATOR - IR CO2 - 230VOLT (VWR W/J INC.)

NOTES:	
⊗ Denotes Terminal Strip Connection	Parts List Reference Number
Last Relay Number	○ Assembly
Last Terminal Number	○ Panel
Last Wire Number	○ Refrigeration
→ Denotes Pin & Socket Connection	□ Wiring

THIS DOCUMENT CONTAINS PROPRIETARY INFORMATION AND SUCH INFORMATION IS NOT TO BE DISCLOSED TO OTHERS FOR ANY PURPOSE NOR USED FOR MANUFACTURING PURPOSES WITHOUT WRITTEN PERMISSION FROM THERMO FISHER SCIENTIFIC

ThermoFisher
SCIENTIFIC
BOX 649, MARIETTA, OHIO 45750

11	IN-3792	06-07-07	GJG	GJG	CCS	ADDED WJR INCUBATOR REFERENCE
10	IN-3759	01-12-07	GJG	GJG	MSB	ADDED SERIES 8000 INCUBATOR REFERENCE
9	IN-3124	09-04-03	JNL	KDC	MSB	CHG. 290137 TEMP. PROBE TO 290184
8	IN-3049	10-01-02	GJG	GJG	MSB	REVISED MOTOR PART NUMBER
7	SI-7897	06-05-00	GJG	GJG	MSB	UPDATE PER CHANGES FROM "UL" TESTING
6	SI-7897	05-01-00	GJG	GJG	DNF	UPDATE PER LEVEL 5 P.L. CHANGES
REV	EEN	NO.	DATE	BY	CAD/APPO	DESCRIPTION OF REVISION
DATE	9-24-96	DWN	GJG	CAD	GJG	APPO DNF SCALE
CUSTOMER	MODELS 3111, 3121, 3131 & 3141					
JOB TITLE	MODULAR WATER JACKET INCUBATOR 230 VOLT (EXPORT)					
DWG TITLE	ELECTRICAL SCHEMATIC					
LOCATION	JOB NUMBER	DRAWING NUMBER				
INCUBATR		3111-70-0-D				

Electrical Schematic
Model:
3111, 3121, 3131, 3141
Water Jacketed
Incubator
3111-70-0-D REV.11
Page 3 of 3

THERMO FISHER SCIENTIFIC WATER JACKETED INCUBATOR WARRANTY USA*

The Warranty Period starts two weeks from the date your equipment is shipped from our facility. This allows shipping time so the warranty will go into effect at approximately the same time your equipment is delivered. The warranty protection extends to any subsequent owner during the first year warranty period.

During the first year, component parts proven to be non-conforming in materials or workmanship will be repaired or replaced at Thermo's expense, including labor. In addition, after the initial warranty period of one year, the CO2 sensor (IR) will be warranted for a second year, parts only. The CO2 sensor (T/C) will be warranted for four additional years for a total of five years, parts only. The water jacket chamber has a unit production lifetime warranty, parts only, against rust-through and leaks. Unit production life is defined as the period of time the current chamber design is in production, plus seven years. If corrosive chemicals are identified in the chamber, the warranty will be voided. Installation and calibration is not covered by this warranty agreement. The Technical Services Department must be contacted for warranty determination and direction prior to performance of any repairs. Expendable items, glass, filters and gaskets are excluded from this warranty.

Replacement or repair of components parts or equipment under this warranty shall not extend the warranty to either the equipment or to the component part beyond the original warranty period. The Technical Services Department must give prior approval for return of any components or equipment. At Thermo's option, all non-conforming parts must be returned to Thermo postage paid and replacement parts are shipped FOB destination.

THIS WARRANTY IS EXCLUSIVE AND IN LIEU OF ALL OTHER WARRANTIES, WHETHER WRITTEN, ORAL OR IMPLIED. NO WARRANTIES OF MERCHANTABILITY OR FITNESS FOR A PARTICULAR PURPOSE SHALL APPLY. Thermo shall not be liable for any indirect or consequential damages including, without limitation, damages relating to lost profits or loss of products.

Your local Thermo Sales Office is ready to help with comprehensive site preparation information before your equipment arrives. Printed instruction manuals carefully detail equipment installation, operation and preventive maintenance.

If equipment service is required, please call your Technical Services Department at 1-800-438-4851 (USA and Canada) or 1-740-373-4763. We're ready to answer your questions on equipment warranty, operation, maintenance, service and special applications. Outside the USA, contact your local distributor for warranty information.



Rev. 6 4/09

THERMO FISHER SCIENTIFIC INTERNATIONAL WATER JACKETED INCUBATOR WARRANTY*

The Warranty Period starts two months from the date your equipment is shipped from our facility. This allows shipping time so the warranty will go into effect at approximately the same time your equipment is delivered. The warranty protection extends to any subsequent owner during the first year warranty period.

During the first year, component parts proven to be non-conforming in materials or workmanship will be repaired or replaced at Thermo's expense, excepting labor. In addition, after the initial warranty period of one year, the CO₂ sensor (IR) will be warranted for a second year, parts only. The CO₂ sensor (T/C) will be warranted for four additional years for a total of five years, parts only. The water jacket chamber has a unit production lifetime warranty, parts only, against rust-through or leaks. Unit production life is defined as the period of time the current chamber design is in production, plus seven years. If corrosive chemicals are identified in the chamber, the warranty will be voided. Installation and calibration is not covered by this warranty agreement. The Technical Services Department must be contacted for warranty determination and direction prior to performance of any repairs. Expendable items, glass, filters and gaskets are excluded from this warranty.

Replacement or repair of components parts or equipment under this warranty shall not extend the warranty to either the equipment or to the component part beyond the original warranty period. The Technical Services Department must give prior approval for return of any components or equipment. At Thermo's option, all non-conforming parts must be returned to Thermo postage paid and replacement parts are shipped FOB destination.

THIS WARRANTY IS EXCLUSIVE AND IN LIEU OF ALL OTHER WARRANTIES, WHETHER WRITTEN, ORAL OR IMPLIED. NO WARRANTIES OF MERCHANTABILITY OR FITNESS FOR A PARTICULAR PURPOSE SHALL APPLY. Thermo shall not be liable for any indirect or consequential damages including, without limitation, damages relating to lost profits or loss of products.

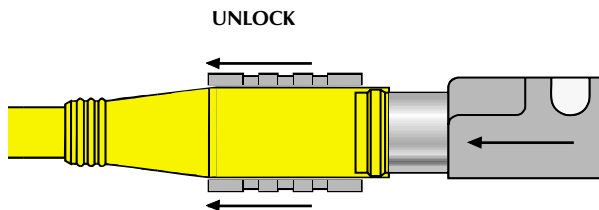
Your local Thermo Sales Office is ready to help with comprehensive site preparation information before your equipment arrives. Printed instruction manuals carefully detail equipment installation, operation and preventive maintenance.

If equipment service is required, please call your Technical Services Department at 1-800-438-4851 (USA and Canada) or 1-740-373-4763. We're ready to answer your questions on equipment warranty, operation, maintenance, service and special application. Outside the USA, contact your local distributor for warranty information.



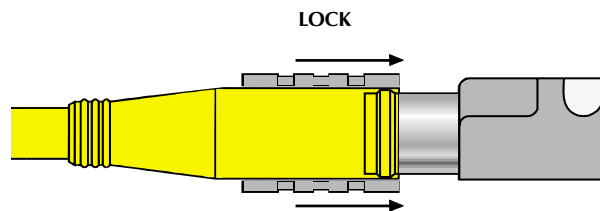
Rev. 6 4/09

picofast ‘Snap Lock’ Connector Instructions



With TURCK’s patented Locking Sleeve pulled back, any *picofast* sensor slides on without any difficulty.

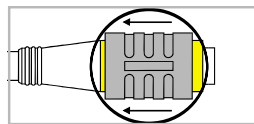
After sensor is connected, push Locking Sleeve forward to create a watertight connection. It’s a snap!



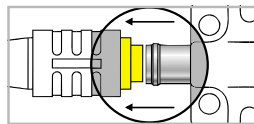
Installation Instructions

To Attach:

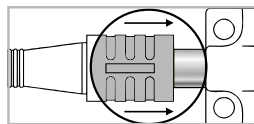
1. Be sure black locking sleeve is pulled back.



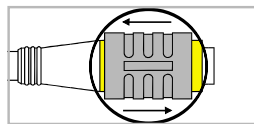
2. Line up pins and push connector onto plug. You will feel a ‘snap.’ Do not twist.



3. Push locking sleeve forward on connector until it is flush with the front of the connector.

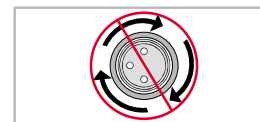


4. If sleeve is difficult to slide on a new connector, ‘exercise’ it a few times. Do not use tools.

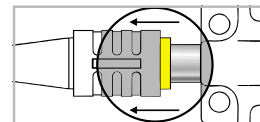


To Detach:

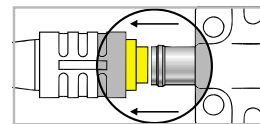
1. Do not twist.



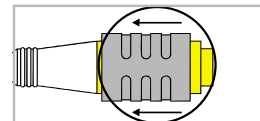
2. Pull locking sleeve back to ‘unlocked’ position.



3. Pull connector straight off.



4. Leave locking sleeve in unlocked position.



Declaration of Conformity

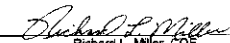
Manufacturer's Name: Thermo Fisher Scientific (Asheville) LLC
Manufacturer's Address: 401 Millcreek Road
Marietta, Ohio 45750
U.S.A.
Product Description: Forma® Laboratory & IVF Incubator
Product Designations: 3110
Year of Initial Marking (CE): 1996
Affected Serial Numbers: Release 6
(Release Level [REL#] shown on serial tag)

This product conforms to the following European Union Directive(s):

EMC: 89/336/EEC
MDD: 93/42/EEC

This product conforms to the following Harmonized, International and National Standards:

EMC:	MDD:
EN 61326-1:1997 (Class A)	EN 61010-1:1993
EN 50081-1	Amendments 1 and 2
EN 50082-1	CSA C22.2 No. 1010.1
EN 50011-1:97	UL 61010A-1


Richard L. Miller, CQE
Regulatory Compliance Manager

ThermoFisher
SCIENTIFIC

05 February 2007

Rev. 5

Declaration of Conformity

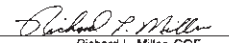
Manufacturer's Name: Thermo Electron Corp.
Manufacturer's Address: 401 Millcreek Road
Marietta, Ohio 45750
U.S.A.
Product Description: Forma® Laboratory & IVF Incubator
Product Designations: 3111
Year of Initial Marking (CE): 1996
Affected Serial Numbers: Release 6
(Release Level [REL#] shown on serial tag)

This product conforms to the following European Union Directive(s):

EMC: 89/336/EEC
MDD: 93/42/EEC

This product conforms to the following Harmonized, International and National Standards:

EMC:	MDD:
EN 61326-1:1997 (Class A)	EN 61010-1:1993
EN 50081-1	Amendments 1 and 2
EN 50082-1	CSA C22.2 No. 1010.1
EN 50011-1:97	UL 61010A-1


Richard L. Miller, CQE
Regulatory Compliance Manager

Thermo
ELECTRON CORPORATION

18 December 2003

Rev. 4

Declaration of Conformity

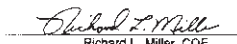
Manufacturer's Name: Thermo Electron Corp.
Manufacturer's Address: 401 Millcreek Road
Marietta, Ohio 45750
U.S.A.
Product Description: Forma® Laboratory & IVF Incubator
Product Designations: 3120
Year of Initial Marking (CE): 1996
Affected Serial Numbers: Release 6
(Release Level [REL#] shown on serial tag)

This product conforms to the following European Union Directive(s):

EMC: 89/336/EEC
MDD: 93/42/EEC

This product conforms to the following Harmonized, International and National Standards:

EMC:	MDD:
EN 61326-1:1997 (Class A)	EN 61010-1:1993
EN 50081-1	Amendments 1 and 2
EN 50082-1	CSA C22.2 No. 1010.1
EN 50011-1:97	UL 61010A-1


Richard L. Miller, CQE
Regulatory Compliance Manager

Thermo
ELECTRON CORPORATION

18 December 2003

Rev. 4

Declaration of Conformity

Manufacturer's Name: Thermo Electron Corp.
Manufacturer's Address: 401 Millcreek Road
Marietta, Ohio 45750
U.S.A.
Product Description: Forma® Laboratory & IVF Incubator
Product Designations: 3121
Year of Initial Marking (CE): 1996
Affected Serial Numbers: Release 6
(Release Level [REL#] is shown on the serial tag)

This product conforms to the following European Union Directive(s):

EMC: 89/336/EEC
MDD: 93/42/EEC

This product conforms to the following Harmonized, International and National Standards:

EMC:	MDD:
EN 61326-1:1997 (Class A)	EN 61010-1:1993
EN 50081-1	Amendments 1 and 2
EN 50082-1	CSA C22.2 No. 1010.1
EN 50011-1:97	UL 61010A-1


Richard L. Miller, CQE
Regulatory Compliance Manager

Thermo
ELECTRON CORPORATION

18 December 2003

Rev. 4

Declaration of Conformity

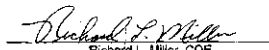
Manufacturer's Name: Thermo Fisher Scientific (Asheville) LLC
Manufacturer's Address: 401 Millcreek Road
Marietta, Ohio 45750
U.S.A.
Product Description: Forma[®] Laboratory & IVF Incubator
Product Designations: 3130
Year of Initial Marking (CE): 1996
Affected Serial Numbers: Release 6
(Release Level [REL#] shown on serial tag)

This product conforms to the following European Union Directive(s):

EMC: 89/336/EEC
MDD: 93/42/EEC

This product conforms to the following Harmonized, International and National Standards:

EMC:	MDD:
EN 61326-1:1997 (Class A)	EN 61010-1:1993
EN 50081-1	Amendments 1 and 2
EN 50082-1	CSA C22.2 No. 1010.1
EN 50011-1:97	UL 61010A-1


Richard L. Miller, CQE
Regulatory Compliance Manager

ThermoFisher
S C I E N T I F I C

05 February 2007

Rev. 5

Declaration of Conformity

Manufacturer's Name: Thermo Electron Corp.
Manufacturer's Address: 401 Millcreek Road
Marietta, Ohio 45750
U.S.A.
Product Description: Forma[®] Laboratory & IVF Incubator
Product Designations: 3131
Year of Initial Marking (CE): 1996
Affected Serial Numbers: Release 6
(Release Level [REL#] shown on serial tag)

This product conforms to the following European Union Directive(s):

EMC: 89/336/EEC
MDD: 93/42/EEC

This product conforms to the following Harmonized, International and National Standards:

EMC:	MDD:
EN 61326-1:1997 (Class A)	EN 61010-1:1993
EN 50081-1	Amendments 1 and 2
EN 50082-1	CSA C22.2 No. 1010.1
EN 50011-1:97	UL 61010A-1


Richard L. Miller, CQE
Regulatory Compliance Manager

Thermo
E L E C T R O N C O R P O R A T I O N

18 December 2003

Rev. 4

Declaration of Conformity

Manufacturer's Name: Thermo Fisher Scientific (Asheville) LLC
Manufacturer's Address: 401 Millcreek Road
Marietta, Ohio 45750
U.S.A.
Product Description: Forma[®] Laboratory & IVF Incubator
Product Designations: 3140
Year of Initial Marking (CE): 1996
Affected Serial Numbers: Release 6
(Release Level [REL#] shown on serial tag)

This product conforms to the following European Union Directive(s):

EMC: 89/336/EEC
MDD: 93/42/EEC

This product conforms to the following Harmonized, International and National Standards:

EMC:	MDD:
EN 61326-1:1997 (Class A)	EN 61010-1:1993
EN 50081-1	Amendments 1 and 2
EN 50082-1	CSA C22.2 No. 1010.1
EN 50011-1:97	UL 61010A-1


Richard L. Miller, CQE
Regulatory Compliance Manager

ThermoFisher
S C I E N T I F I C

05 February 2007

Rev. 5

Declaration of Conformity

Manufacturer's Name: Thermo Electron Corp.
Manufacturer's Address: 401 Millcreek Road
Marietta, Ohio 45750
U.S.A.
Product Description: Forma[®] Laboratory & IVF Incubator
Product Designations: 3141
Year of Initial Marking (CE): 1996
Affected Serial Numbers: Release 6
(Release Level [REL#] shown on serial tag)

This product conforms to the following European Union Directive(s):

EMC: 89/336/EEC
MDD: 93/42/EEC

This product conforms to the following Harmonized, International and National Standards:

EMC:	MDD:
EN 61326-1:1997 (Class A)	EN 61010-1:1993
EN 50081-1	Amendments 1 and 2
EN 50082-1	CSA C22.2 No. 1010.1
EN 50011-1:97	UL 61010A-1


Richard L. Miller, CQE
Regulatory Compliance Manager

Thermo
E L E C T R O N C O R P O R A T I O N

18 December 2003

Rev. 4

Thermo Fisher Scientific
Controlled Environment Equipment
401 Millcreek Road, Box 649,
Marietta, Ohio 45750
United States

www.thermo.com