

11 Technical data
11.1 Weight/dimensions
11.1.1 Equipment dimensions

Width	70.8 cm (27.9 in)
Height	84.5 cm (33.3 in)
Depth	70.1 cm (27.6 in)
Weight	81 kg (179 lb) – 100 kg (220 lb) depending on options, w/o accessories

11.1.2 Internal dimensions

Width	53.9 cm (21.2 in)
Height	69.2 cm (27.2 in)
Depth	44.4 cm (17.5 in)
Volume (total)	165 L
Volume (useable, with 4 shelves)	126 L

11.1.3 Transporting dimensions

Width	83 cm (33 in), pallet included
Height	110 cm (43 in), pallet included
Depth	80 cm (31.5 in), pallet included
Weight	107 kg (236 lb) – 122 kg (269 lb) depending on options

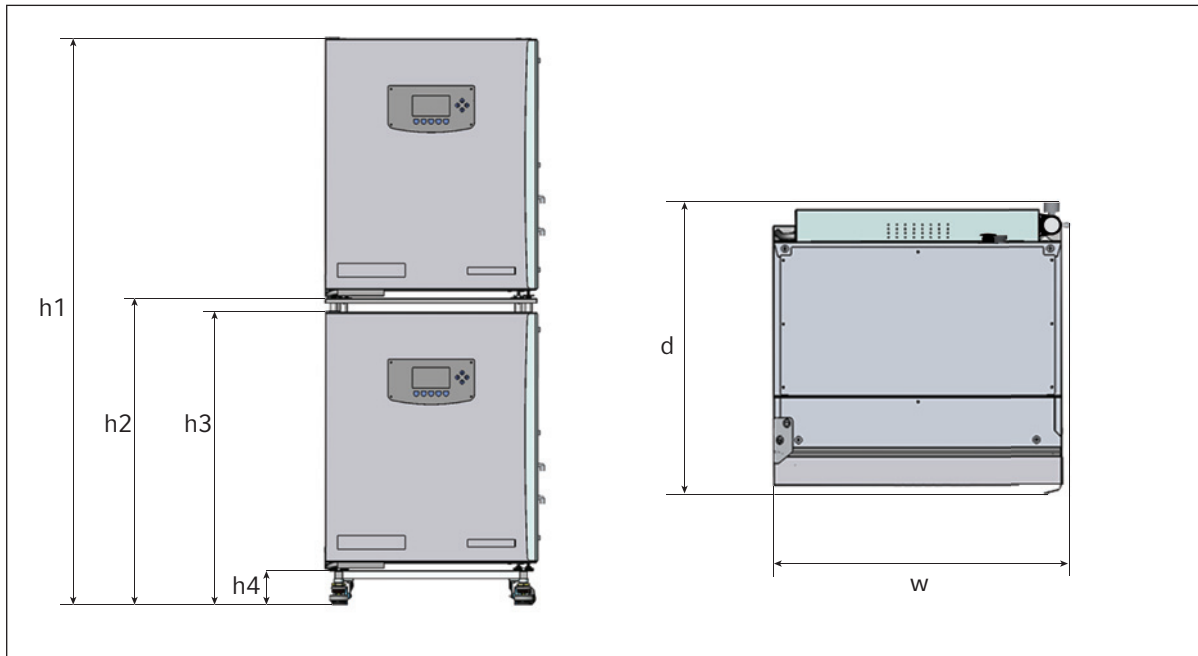
Technical data

Galaxy® 170 R/S CO2 Incubators
English (EN)

11.1.4 Shelves

Polished stainless steel, perforated (standard)

Width	52.2 cm (20.6 in)
Depth	42.8 cm (16.9 in)
Number of shelves	4 standard; upgrade to 8 shelves with multiple position option available
Flatness tolerance of shelf	1 mm
Thickness of shelf	1.5 mm
Max load to the shelf (with 1.3° deflection)	8 kg



Height				Depth	Width
h1	h2	h3	h4	d	w
190.5 cm	105.4 cm	103.2 cm	14.8 cm	70.1 cm	70.8 cm
(75.0 in)	(41.5 in)	(40.6 in)	(5.8 in)	(27.6 in)	(27.9 in)

11.2 Power supply

Mains/power connection	110 V – 127 V ±10 %, 50 Hz – 60 Hz 220 V – 240 V ±10 %, 50 Hz – 60 Hz
Power consumption for 110 V – 127 V	1000 W
Power consumption for 220 V – 240 V	1700 W
Energy to maintain 37 °C	< 0.1 kWh
Overvoltage category	II (IEC 61010-1)
Protection class	I
Max. Power consumption during normal application 110 V – 127 V 220 V – 240 V	850 W 1200 W
Max. Power consumption during high temperature disinfection 110 V – 127 V 220 V – 240 V	1000 W 1700 W

11.3 Ambient conditions

Ambient Temperature	15 °C – 28 °C
Storage Temperature	10 °C – 50 °C
Altitude limit	2000 m
Relative humidity	20 % – 80 %
Pollution degree	2

11.4 Application parameters

11.4.1 Temperature management

- Measurements of chamber and door temperatures are taken by 6 RT (resistance temperature) curve-matched sensors with a sensitivity of 0.01 °C.
- Door heating element features an adjustable independent control.
- “Out of Limits” temperature protection system is independent of the microprocessor control.

Range	4 °C above ambient temperature to 50 °C
Control increment	0.1 °C
Stability	± 0.1 °C at 37 °C
Uniformity	± 0.3 °C at ambient 20 °C – 25 °C



If ambient temperature is close to the programmed value, control settings may need adjusting. Consult Eppendorf Service for instructions.

Technical data

Galaxy® 170 R/S CO₂ Incubators
English (EN)

11.4.2 CO₂ control

Solid-state infrared CO₂ sensor operating independent of humidity. Programmable, fully automatic zeroing function.

Range	0.2 - 20 %
Control increment	0.1 %
Stability	± 0.2 % at 5 % CO ₂
Uniformity	± 0.1 %
Gas connections	inner diameter of 6.5 mm and outer diameter of 10 mm
Required gas pressure	0.05 MPa (0.5 bar/7.2 psi)

11.4.3 Relative humidity

Reservoir capacity	2.5 L
Humidity control	95 % at 37 °C

Relative humidity attained could vary in the range of 90 % +/-5 % depending on ambient humidity level and other factors.

11.4.4 Calibration

Maximum operating ambient temperature is 28 °C.

Factory calibration of the incubator is carried out at 37 °C, 5.0 % CO₂ and 90 to 95 % RH, in an ambient temperature of 20 °C – 25 °C with no heat-generating apparatus inside the chamber.

Software calibration adjustments may be required to optimize performance if the incubator is being used well outside these operating conditions. Performance specifications may also be affected.

For advice on calibration adjustments and relevant performance specifications, contact Eppendorf service. Please be prepared with the model and serial number of your incubator and the complete details of your operating conditions.



Performance values represent the average of instruments tested in the factory under optimum conditions.