

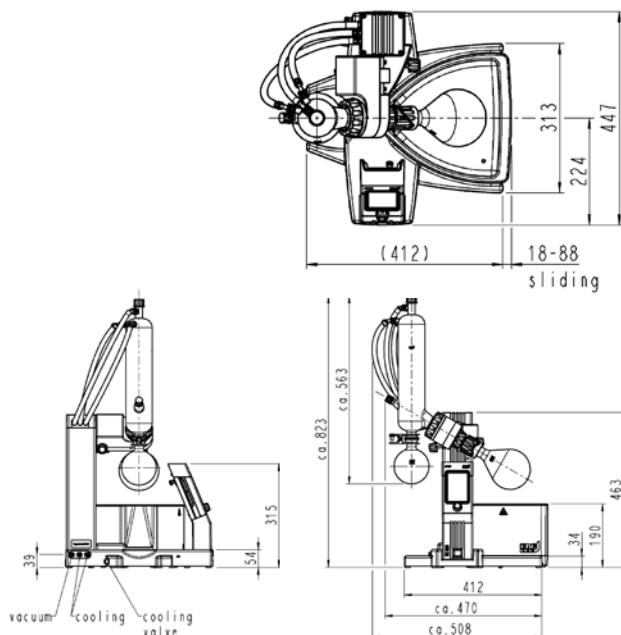
RC 900.

TECHNICAL DATA AND ACCESSORIES.

TECHNICAL DATA	
Heating bath	
Heating bath temperature [°C]	20 – 180
Coolant supply parameters (chilled condenser)	
Permissible pressure [psig]	44
Permissible temperature [°C]	-15 to +20
Coolant-coated surface [cm²]	1230
Parameters of evaporation flask	
Size of evaporation flask [mL]	50 – 3000
Evaporation flask rotation speed [per min]	25 – 250
Length of stroke [mm]	150
Lifting speed [mm/s]	38
RC 900	
Dimensions W x D x H [mm]:	
- without glass (footprint)	431 x 447 x 464
- with glass	487 x 447 x 823
Remote control unit	
Wireless range	approx. 50 m without obstacles

ACCESSORIES	
Description	ID
Protective cover for heating bath	127204
Refill valve	300639
Coolant valve	300853
Vacuum seal	113046
Dry ice cold finger	301696

DIMENSIONS



A detailed breakdown of the technical data is available at www.knfusa.com/rotaryevaporator