

8.1 Specifications

The table below shows the specifications for MultiTemp IV Thermostatic Circulator.

		MultiTemp IV	
Temperature Range		-10°C to +80°C +14°F to +176°F	
Temperature Stability		±0.1°C	
Cooling Capacity¹			
Heater Capacity at 20°C	50Hz 60Hz	2.0 Kilowatts 1.2 Kilowatts	
Nominal Weight	kg lb	29 64	
Pumping Type²		Force	
Maximum Flow Rate³	lpm gpm	17 4.5	
Maximum Pressure³	mbar psi	300 4.4	
Reservoir Volume	liters gallons	2.8 0.7	

- Specifications obtained at sea level using water (above 5°C) and 50/50 EG/Water (<5°C) as the recirculating fluid at a 20°C process setpoint, 20°C ambient condition, at nominal operating voltage. Other fluids, process temperatures, ambient temperatures, altitude or operating voltage will affect performance.
- Nominal values ±10% when using 12mm fitting.
 - Specifications subject to change without notice.
- For 100V/50Hz, maximum pressure is 250 mBar and flow is 12.5 lpm.

8.2 Ambient conditions

The table below shows the ambient conditions for operating MultiTemp IV Thermostatic Circulator.

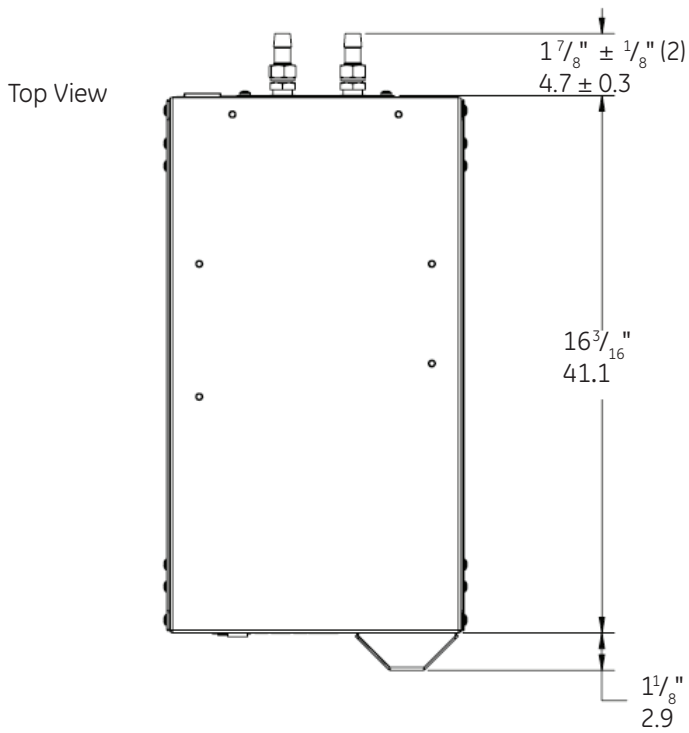
Property	Value
Maximum Relative Humidity (non condensing)*	80% at 31°C (88°F)
Operating Altitude	Sea level to 2000 meters (6560 feet) Elevation above sea level requires reduction of 1°C/1000m on maximum ambient and 2%/1000m reduction in rated capacity.
Overvoltage category	II
Pollution Degree	2
Degree of Protection	IP 20
Ambient environment	Temperature:10°C to 40°C Air humidity: 20% to 95%, non-condensing
Dimensions & weight	Refer to <i>Dimensions, on page 88.</i>
Sound power level	Less than 58dBA

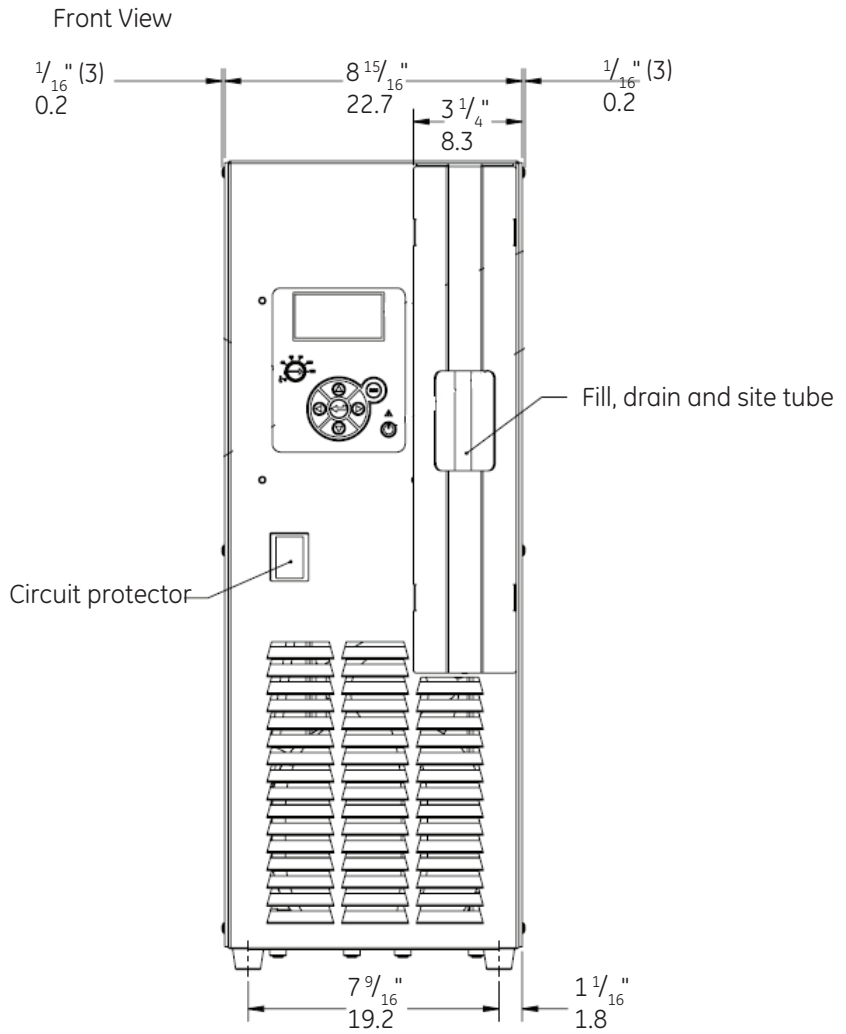
* Derate ambient by 1°C/1000m and capacity by 2%/1000m.

8.3 Dimensions

Dimensions

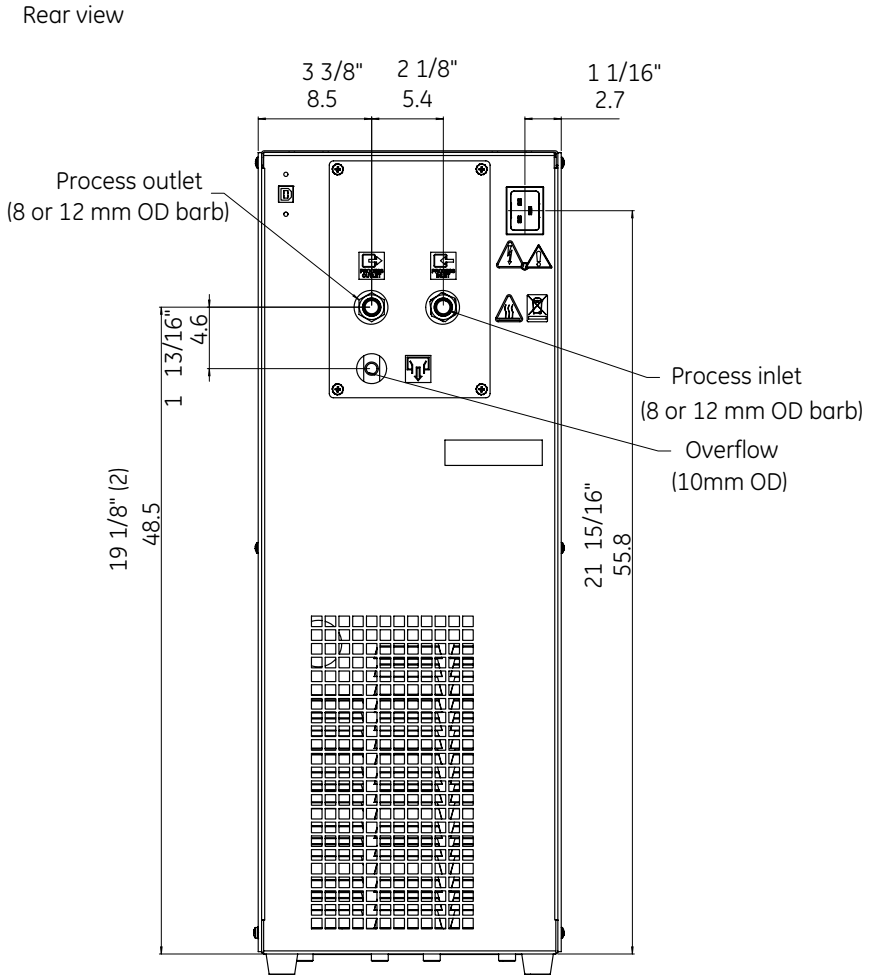
The following illustrations show the dimensions (inches/centimeters) for MultiTemp IV Thermostatic Circulator.





8 Reference information

8.3 Dimensions



Side view

