



Agilent 1290 Infinity Thermostat

User Manual



Agilent Technologies

Notices

© Agilent Technologies, Inc. 2011-2014, 2015

No part of this manual may be reproduced in any form or by any means (including electronic storage and retrieval or translation into a foreign language) without prior agreement and written consent from Agilent Technologies, Inc. as governed by United States and international copyright laws.

Manual Part Number

G1330-90014 Rev. B

Edition

05/2015

Printed in Germany

Agilent Technologies
Hewlett-Packard-Strasse 8
76337 Waldbronn

Warranty

The material contained in this document is provided “as is,” and is subject to being changed, without notice, in future editions. Further, to the maximum extent permitted by applicable law, Agilent disclaims all warranties, either express or implied, with regard to this manual and any information contained herein, including but not limited to the implied warranties of merchantability and fitness for a particular purpose. Agilent shall not be liable for errors or for incidental or consequential damages in connection with the furnishing, use, or performance of this document or of any information contained herein. Should Agilent and the user have a separate written agreement with warranty terms covering the material in this document that conflict with these terms, the warranty terms in the separate agreement shall control.

Technology Licenses

The hardware and/or software described in this document are furnished under a license and may be used or copied only in accordance with the terms of such license.

Restricted Rights Legend

If software is for use in the performance of a U.S. Government prime contract or subcontract, Software is delivered and licensed as “Commercial computer software” as defined in DFAR 252.227-7014 (June 1995), or as a “commercial item” as defined in FAR 2.101(a) or as “Restricted computer software” as defined in FAR 52.227-19 (June 1987) or any equivalent agency regulation or contract clause. Use, duplication or disclosure of Software is subject to Agilent Technologies’ standard commercial license terms, and non-DOD Departments and Agencies of the U.S. Government will

receive no greater than Restricted Rights as defined in FAR 52.227-19(c)(1-2) (June 1987). U.S. Government users will receive no greater than Limited Rights as defined in FAR 52.227-14 (June 1987) or DFAR 252.227-7015 (b)(2) (November 1995), as applicable in any technical data.

Safety Notices

CAUTION

A **CAUTION** notice denotes a hazard. It calls attention to an operating procedure, practice, or the like that, if not correctly performed or adhered to, could result in damage to the product or loss of important data. Do not proceed beyond a **CAUTION** notice until the indicated conditions are fully understood and met.

WARNING

A **WARNING** notice denotes a hazard. It calls attention to an operating procedure, practice, or the like that, if not correctly performed or adhered to, could result in personal injury or death. Do not proceed beyond a **WARNING** notice until the indicated conditions are fully understood and met.

Contents

1	Introduction	5
	Introduction to the Thermostat	6
	Thermostat Operation	8
2	Site Requirements and Specifications	11
	Site Requirements	12
	Physical Specifications	15
	Performance Specifications	16
3	Installing the Thermostat	17
	Damaged Packaging	18
	Optimizing the Stack Configuration	19
	Installing the Thermostat	21
	Transporting the Thermostatted Autosampler or Fraction Collector	32
4	Troubleshooting and Diagnostics	33
	Agilent Lab Advisor Software	34
	Overview of the Thermostat's Indicators and Test Functions	35
	Status Indicators	36
5	Error Information	39
	What Are Error Messages	40
	General Error Messages	41
	Thermostat Error Messages	48
6	Maintenance	53
	Warnings and Cautions	54
	Introduction to Maintenance	56
	Cleaning the Module	57
	Exchanging the Power Supply Fuses	58

7	Parts for Maintenance	61
	Main Assemblies (External Parts)	62
	Accessory Kit	63
	HPLC System Tool Kit	64
	Plastic Parts	65
8	Cable Identification	67
	Cable Overview	68
	Analog Cables	70
	Remote Cables	72
	BCD Cables	75
	Auxiliary Cable	77
	CAN/LAN Cables	78
	External Contact Cable	79
	RS-232 Cable Kit	80
9	Hardware Information	81
	Electrical Connections	82
	Early Maintenance Feedback	85
10	Appendix	87
	General Safety Information	88
	The Waste Electrical and Electronic Equipment (WEEE) Directive (2002/96/EC)	91
	Radio Interference	92
	Sound Emission	93
	Agilent Technologies on Internet	94



1 Introduction

Introduction to the Thermostat 6

Thermostat Operation 8



Introduction to the Thermostat

The Agilent 1290 Infinity Thermostat is designed for use with other modules of the Agilent 1200 Infinity Series or with other LC systems if adequate remote control inputs and outputs are available. The thermostat is controlled from the Agilent 1200 Infinity Series Instant Pilot or from your Agilent control software for LC systems.

The specially-designed thermostatable sample trays holds either 100 × 1.8 mL vials or two wellplates and 10 × 1.8 mL vials.

The thermostat contains Peltier-controlled heat exchangers. A fan draws air from the area above the sample vial tray of the autosampler and then blows it through the fins of the cooling/heating module. There it is cooled or heated according to the temperature setting. The thermostatted air enters the autosampler through a recess underneath the specially-designed sample tray. The air is then distributed evenly through the sample tray ensuring effective temperature control, regardless of how many vials are in the tray.

In cooling mode condensation is generated on the cooled side of the Peltier elements. This condensed water is safely guided into the leak system.

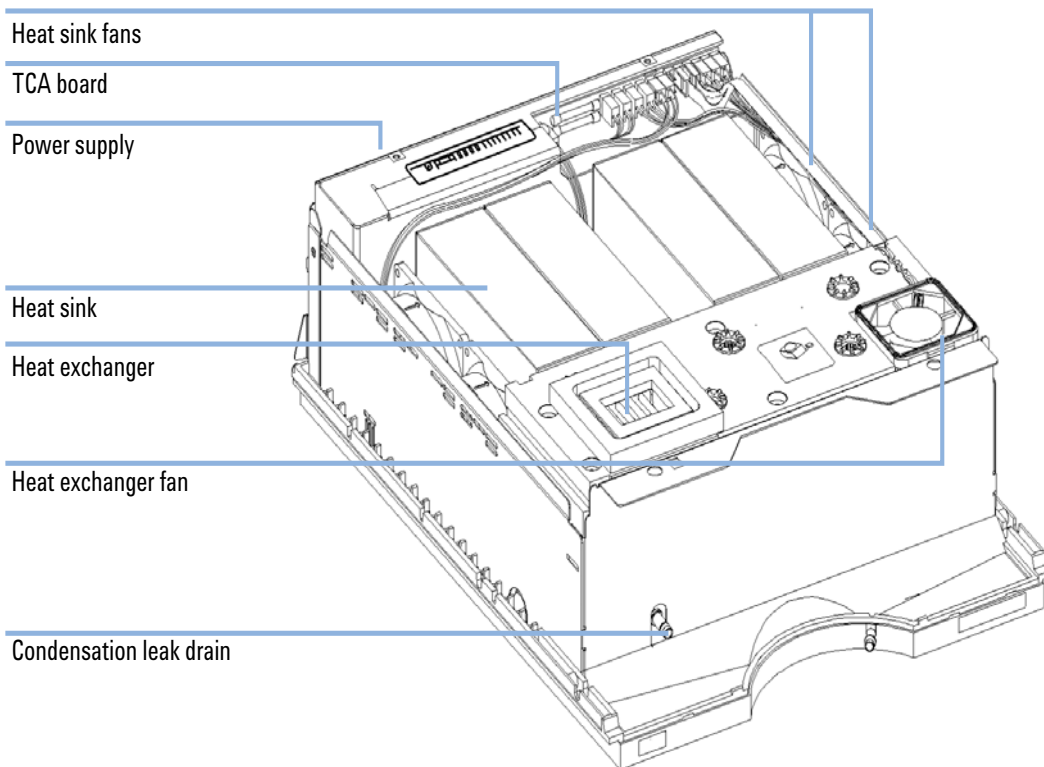


Figure 1 Overview of the Thermostat

Thermostat Operation

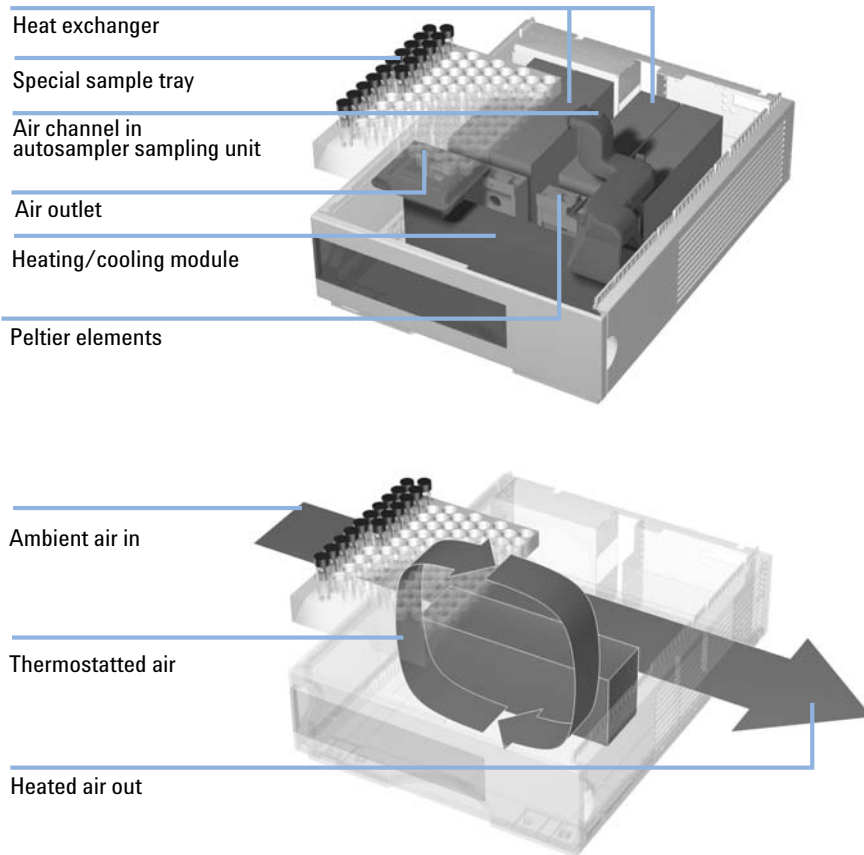


Figure 2 Thermostat Principle

The thermostat is equipped with a cooling/heating module which uses Peltier elements for efficient air cooling. When turned on the front side of the Peltier elements is heated/cooled according to the temperature setting. A fan draws air from the sample tray area and blows it through the channels of the heating/cooling module. The fan speed is determined according to the environmental conditions (e.g., ambient temperature, humidity). In the heating/cooling module the air reaches the temperature of the Peltier elements and this thermostatted air is blown underneath the special sample tray where it is evenly distributed and streams back into the sample tray area. From there it is again drawn into the thermostat. This “recycle” mode assures a very efficient cooling/heating of the sample vials.

In cooling mode the opposite side of the Peltier element will become very hot and to maintain the performance of the elements they have to be cooled down. This is done with large heat exchangers in the back of the thermostat. Four fans blow air from left to right through the instrument to remove the heated air. The fan speed is controlled according to the temperature of the Peltier elements.

During cooling condensation will appear in the heating/cooling module. The condensed water will be guided out of the thermostat.

1 Introduction
Thermostat Operation



2 Site Requirements and Specifications

Site Requirements	12
Power Consideration	12
Power Cords	13
Bench Space	14
Environment	14
Physical Specifications	15
Performance Specifications	16

This chapter provides information on environmental requirements, physical and performance specifications.



Site Requirements

A suitable site environment is important to ensure optimum performance of the instrument.

Power Consideration

The autosamplers comprises two modules, the autosampler module (G1329A/B, G1367A-D, G1367E, G1377A, G2260A, G4226A, G5667A, G4303A) or fraction collector (G1364A-C, G1364D, G5664A) and the thermostat module (G1330B). Both modules have a separate power supply and a power plug for the line connections. The two modules are connected by a control cable and both are turned on by the autosampler or fraction collector.

The autosampler or fraction collector power supplies have automatic voltage selectors. Consequently there are no voltage selectors in the rear of the two autosampler or fraction collector modules. The autosampler or fraction collector has no externally accessible fuses, because automatic electronic fuses are implemented in its power supply. The thermostat power supply has two externally accessible fuses.

WARNING

Hazard of electrical shock or damage of your instrumentation can result, if the devices are connected to a line voltage higher than specified.

→ Connect your instrument to the specified line voltage only.

CAUTION

Inaccessible power plug.

In case of emergency it must be possible to disconnect the instrument from the power line at any time.

→ Make sure the power connector of the instrument can be easily reached and unplugged.

→ Provide sufficient space behind the power socket of the instrument to unplug the cable.

Power Cords

Different power cords are offered as options with the module. The female end of all power cords is identical. It plugs into the power-input socket at the rear. The male end of each power cord is different and designed to match the wall socket of a particular country or region.

WARNING

Absence of ground connection or use of unspecified power cord

The absence of ground connection or the use of unspecified power cord can lead to electric shock or short circuit.

- Never operate your instrumentation from a power outlet that has no ground connection.
 - Never use a power cord other than the Agilent Technologies power cord designed for your region.
-

WARNING

Use of unsupplied cables

Using cables not supplied by Agilent Technologies can lead to damage of the electronic components or personal injury.

- Never use cables other than the ones supplied by Agilent Technologies to ensure proper functionality and compliance with safety or EMC regulations.
-

WARNING

Unintended use of supplied power cords

Using power cords for unintended purposes can lead to personal injury or damage of electronic equipment.

- Never use the power cords that Agilent Technologies supplies with this instrument for any other equipment.
-

Bench Space

The module dimensions and weight (see [Table 1](#) on page 15) allow you to place the module on almost any desk or laboratory bench. It needs an additional 25 cm (10 inches) of space on either side and approximately 8 cm (3.1 inches) in the rear for air circulation and electric connections.

If the bench shall carry a complete HPLC system, make sure that the bench is designed to bear the weight of all modules.

The module should be operated in a horizontal position.

Environment

Your modules will work at ambient temperatures and relative humidity as described in [Table 1](#) on page 15.

CAUTION

Condensation within the module

Condensation will damage the system electronics.

- Do not store, ship or use your module under conditions where temperature fluctuations could cause condensation within the module.
 - If your module was shipped in cold weather, leave it in its box and allow it to warm slowly to room temperature to avoid condensation.
-

Physical Specifications

Table 1 Physical Specifications

Type	Specification	Comments
Weight	20.7 kg (46 lbs)	
Dimensions (height × width × depth)	140 × 345 × 435 mm (5.5 × 13.5 × 17 inches)	
Line voltage	100 – 240 VAC, ± 10 %	Wide-ranging capability
Line frequency	50 or 60 Hz, ± 5 %	
Power consumption	260 VA / 210 W / 717 BTU	Maximum
Ambient operating temperature	4 – 40 °C (39 – 104 °F)	See warning "" on page 15
Ambient non-operating temperature	-40 – 70 °C (-40 – 158 °F)	
Humidity	< 95 % r.h. at 40 °C (104 °F)	Non-condensing
Operating altitude	Up to 2000 m (6562 ft)	
Non-operating altitude	Up to 4600 m (15091 ft)	For storing the module
Safety standards: IEC, CSA, UL	Installation category II, Pollution degree 2	For indoor use only.

WARNING

Hot rear panel

Using the module at high environmental temperatures may cause the rear panel to become hot.

→ Do not use the module at environmental temperatures higher than 50 °C (122 °F)

Performance Specifications

Table 2 Performance specifications Agilent 1290 Infinity Thermostat

Type	Specification
Temperature range	Settable from 4 °C to 40 °C in 1 ° increments
Temperature accuracy at ambient temperatures < 25 °C and humidity < 50 %	3 °C to 8 °C at a setpoint of 4 °C*
Temperature accuracy at ambient temperatures <30 °C and humidity <60 %	3 °C to 9 °C at a setpoint of 4 °C*

* Measurement conditions:

G1329B:

with 100-Vial Tray in vial location 2,10,92 and 100 vials filled with water

G1367A/G1367B/G1367C/G1377A/G1367E/G5667A/G2258A/G4226A:

For vials: Using the Thermostatable Tray (G1329-60011) or 100 Micro-Vial (G4226-60021), both loaded with 100 vials. Temperature is measured in vial locations 1,10,23,25,45,75,91 and 100 (filled with 1 mL of water)

For well plates: Standard Tray (G2258-60011) for two Well Plates loaded with two Agilent 96 Well Plate (5042-1386)



3 Installing the Thermostat

Damaged Packaging	18
Delivery Checklist	18
Optimizing the Stack Configuration	19
Installing the Thermostat	21
Stage 1: Preparing the Thermostat and Autosampler/ Fraction Collector	22
Stage 2: Power Cable and Interface Cable Connection	25
Stage 3: Flow Connections	27
Stage 4: Installing the Sample Tray	29
Stage 5: Installing Tray Cover and Front Cover	31
Stage 6: Turning on the Thermostatted Autosampler/ Fraction collector	31
Transporting the Thermostatted Autosampler or Fraction Collector	32



Damaged Packaging

If the delivery packaging shows signs of external damage, please call your Agilent Technologies sales and service office immediately. Inform your service representative that the instrument may have been damaged during shipment.

CAUTION

"Defective on arrival" problems

If there are signs of damage, please do not attempt to install the module. Inspection by Agilent is required to evaluate if the instrument is in good condition or damaged.

- Notify your Agilent sales and service office about the damage.
- An Agilent service representative will inspect the instrument at your site and initiate appropriate actions.

Delivery Checklist

Unpack the module. Ensure all parts and materials have been delivered. The delivery checklist is shown in [Table 3](#) on page 18. Please report missing or damaged parts to your local Agilent Technologies sales and service office.

Table 3 Thermostat Checklist

Description	Quantity	Part Number
Thermostat	1	
Power cable	1	as ordered
Accessory kit (see "Accessory Kit" on page 63 for more information)	1	G1330-68755
HPLC System Tool Kit, optional (see "HPLC System Tool Kit" on page 64 for more information)	1	G4203-68708

Optimizing the Stack Configuration

If your autosampler/fraction collector is part of a system, you can ensure optimum performance by installing the autosampler/fraction collector in the stack in the position shown in [Figure 3](#) on page 19 and [Figure 4](#) on page 20. This configuration optimizes the system flow path, ensuring minimum delay volume. As the autosampler thermostat is very heavy, it should always be installed at the bottom of a stack.

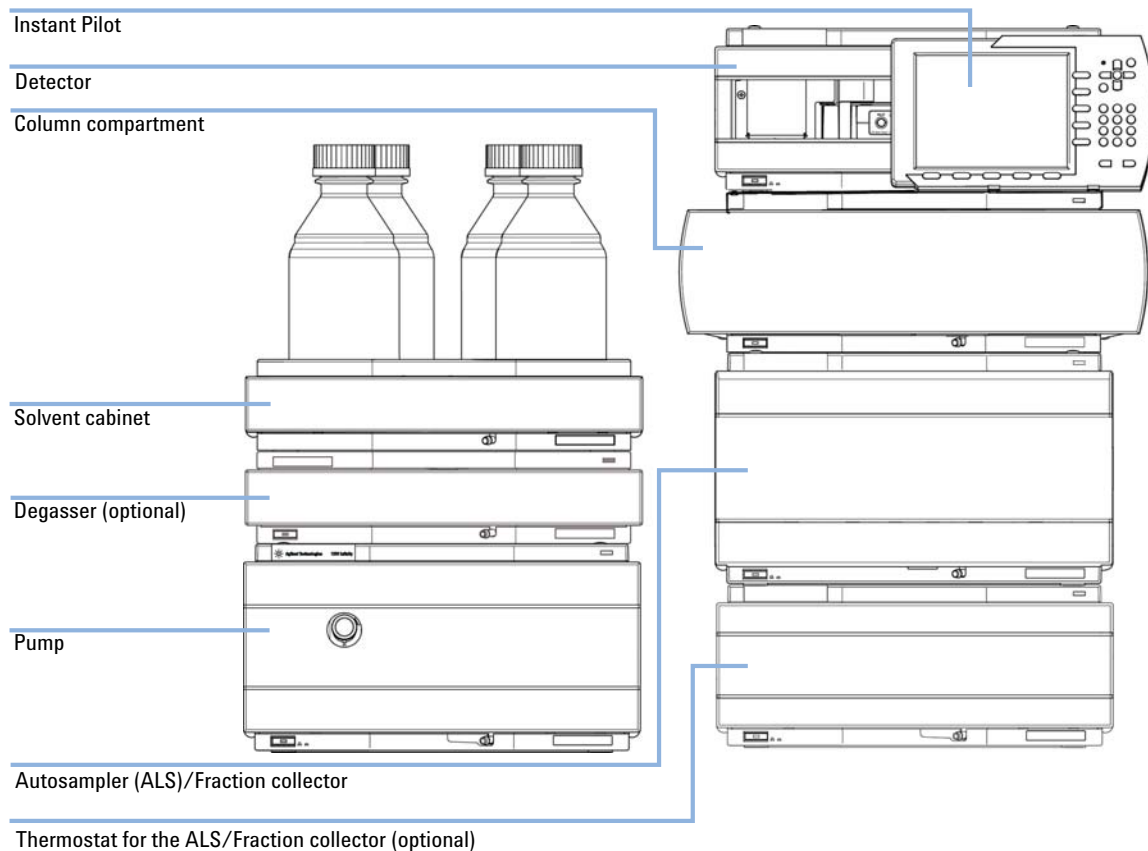


Figure 3 Recommended Stack Configuration (Front View)

3 Installing the Thermostat

Optimizing the Stack Configuration

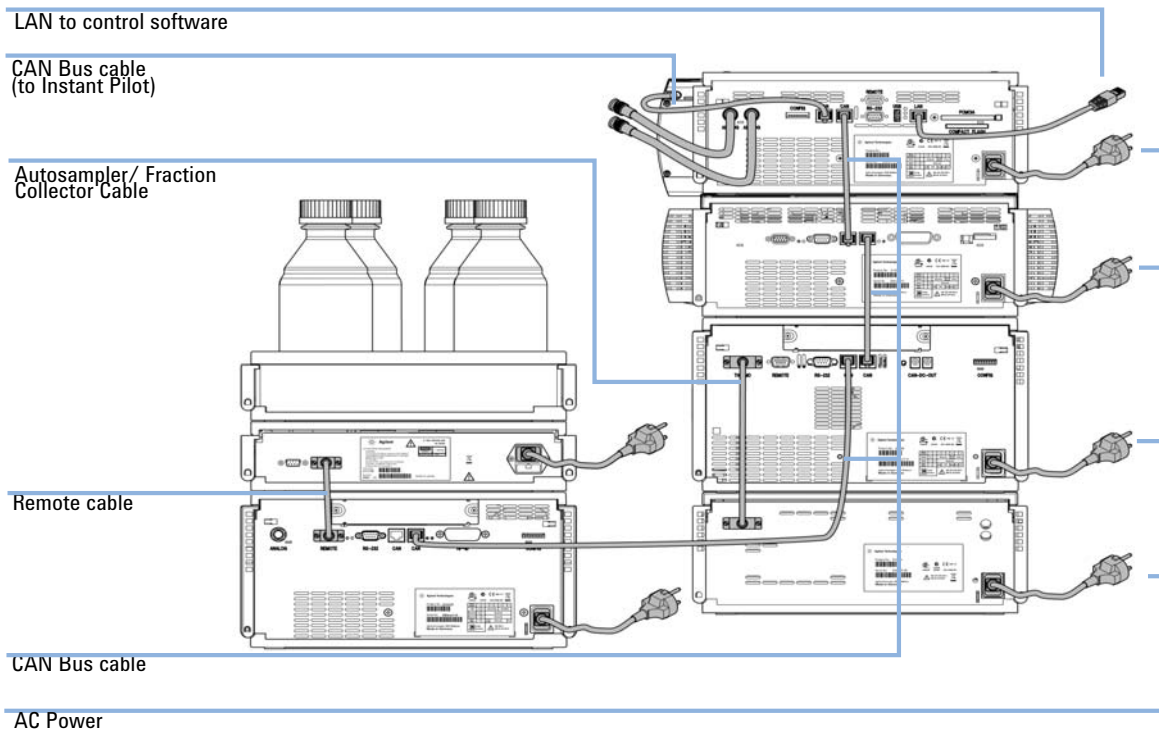


Figure 4 Recommended Stack Configuration (Rear View)

Installing the Thermostat

WARNING

Module is partially energized when switched off, as long as the power cord is plugged in.

Repair work at the module can lead to personal injuries, e.g. shock hazard, when the cover is opened and the module is connected to power.

- Make sure that it is always possible to access the power plug.
 - Remove the power cable from the instrument before opening the cover.
 - Do not connect the power cable to the Instrument while the covers are removed.
-

WARNING

Personal injury

To avoid personal injury, keep fingers away from the needle area during autosampler operation.

- Do not bend the safety flap away from its position, or attempt to remove the safety cover.
 - Do not attempt to insert or remove a vial from the gripper when the gripper is positioned below the needle.
-

CAUTION

"Defective on arrival" problems

If there are signs of damage, please do not attempt to install the module. Inspection by Agilent is required to evaluate if the instrument is in good condition or damaged.

- Notify your Agilent sales and service office about the damage.
 - An Agilent service representative will inspect the instrument at your site and initiate appropriate actions.
-

3 Installing the Thermostat

Installing the Thermostat

CAUTION

Damaged electronics

Disconnecting or reconnecting the autosampler/ fraction collector to thermostat cable when the power cords are connected to either of the two modules will damage the electronics of the modules. In such a case, mainboards of both instruments must be exchanged, otherwise they can damage the other instrument.

- Make sure the power cords are unplugged before disconnecting or reconnecting the autosampler/ fraction collector to thermostat cable.
-

Stage 1: Preparing the Thermostat and Autosampler/ Fraction Collector

CAUTION

Damage through condensation

If the condensation tube is located in liquid the condensed water cannot flow out of the tube and the outlet is blocked. Any further condensation will then remain in the instrument. This may damage the instruments electronics.

- Make sure the condensation tube is always above the liquid level in the vessel.
 - Make sure the waste container is not sealed.
 - Ensure the drain tube has no loops and leads directly into the waste bottle.
-

NOTE

Even under average humidity conditions, a significant amount of condensed water gathers every day. A suitable container must be provided and emptied regularly in order to avoid overflow.

- 1 Place the thermostat on the bench or in the stack.
- 2 Remove the front cover. Press the two snap fasteners on the sides of the cover and move it away.

- 3 If the thermostat is located on top of another Agilent 1200 Infinity Series module place the waste tube assembly into the top cover of the thermostat and locate the other end in the waste funnel of the module beneath.

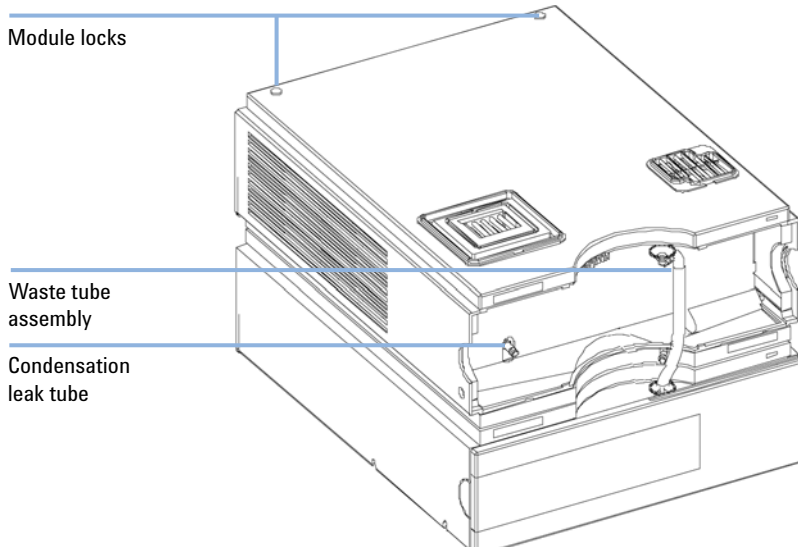


Figure 5 Preparation of the Thermostat

- 4 Connect the condensation leak tube to the main waste exit of the thermostat and place into an appropriate vessel. It is possible to either let the condensation leak tubing exit the module at the front or at the left side of the module. Make sure that the leak tube is fully fixed on the outlet.

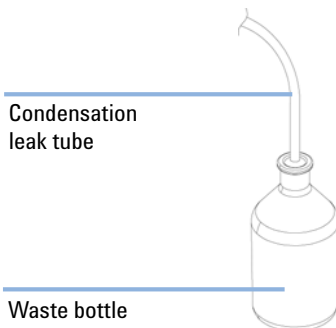


Figure 6 Condensation Leak outlet

3 Installing the Thermostat

Installing the Thermostat

- 5 Install the front cover of the thermostat.
- 6 Place the autosampler/ fraction collector module on top of the thermostat. Make sure that the autosampler/ fraction collector is correctly engaged in the thermostat locks.
- 7 Remove the tray and place the air channel adapter into the autosampler/ fraction collector tray base. Make sure the adapter is fully pressed down. This assures that the cold airstream from the thermostat is correctly guided to the tray area of the autosampler or fraction collector.

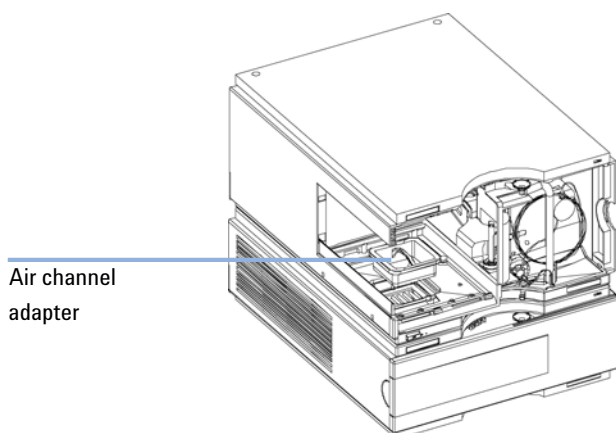
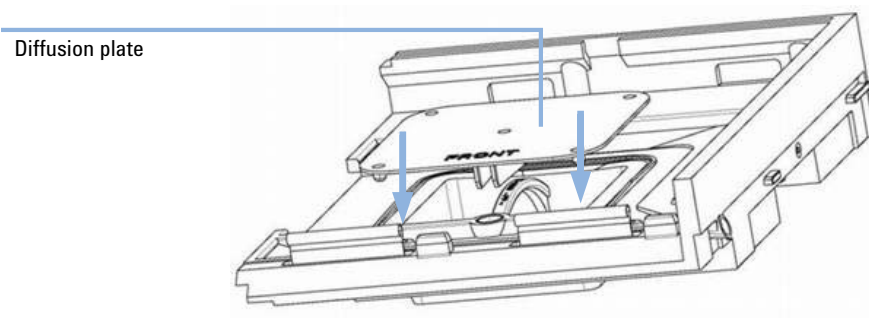


Figure 7 Air channel adapter

- 8 Install the diffusion plate on the air channel adapter.



- 9 Re-install the tray.

- 10 If there is no Agilent 1260/1290 Infinity Series module located beneath the thermostat connect the waste tube to the central waste exit of the autosampler/ fraction collector and place in a waste vessel.

Stage 2: Power Cable and Interface Cable Connection

CAUTION

Damaged electronics

Disconnecting or reconnecting the autosampler/ fraction collector to thermostat cable when the power cords are connected to either of the two modules will damage the electronics of the modules. In such a case, mainboards of both instruments must be exchanged, otherwise they can damage the other instrument.

- Make sure the power cords are unplugged before disconnecting or reconnecting the autosampler/ fraction collector to thermostat cable.

- 1 Ensure the power switch on the front of the autosampler/ fraction collector is OFF and the power cables are disconnected.
- 2 Connect the cable between the autosampler/ fraction collector and the thermostat, see [Figure 8](#) on page 26.
- 3 Move the safety lever at the rear of the two modules to the right position, see [Figure 8](#) on page 26.
- 4 Connect the power cables to the power connectors.
- 5 Connect the CAN interface cables to other modules in the system (see [Figure 4](#) on page 20 and [Figure 9](#) on page 27).
- 6 If required, connect additional interface and control cables to the autosampler (see [Figure 4](#) on page 20 and [Figure 9](#) on page 27). Refer to the documentation of the Agilent 1200 Infinity Series Instant Pilot or ChemStation for LC for more information.

NOTE

In an Agilent 1290 Infinity or 1260 Infinity system, the individual modules are connected by a CAN cable. The Agilent 1200 Infinity Series Instant Pilot can be connected to the CAN bus at any of the modules in the system. The control software can be connected to the system by one GPIB cable at any of the modules. If an Agilent detector is part of the system, the LAN connection must be at the detector. For more information about connecting the instant pilot or control software refer to the respective user manual. For connecting the Agilent 1290 Infinity equipment to non-Agilent 1290 Infinity equipment, see Autosampler manual).

3 Installing the Thermostat

Installing the Thermostat

7 Connect additional cables as required (see [Figure 9](#) on page 27).

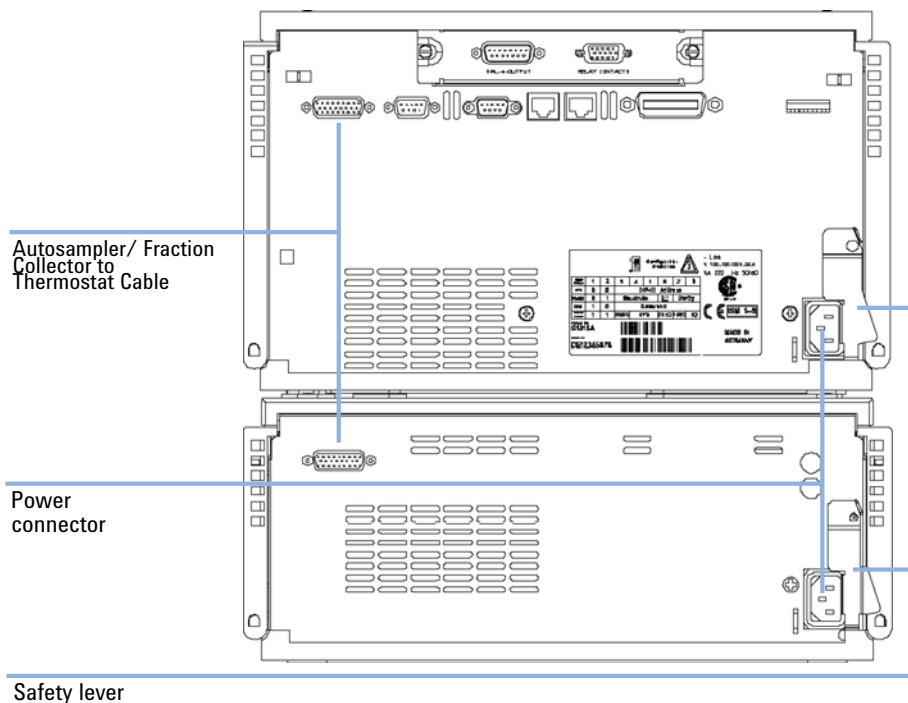


Figure 8 Power Connectors and Safety Levers at Rear of thermostatted Autosampler/Fraction Collector.

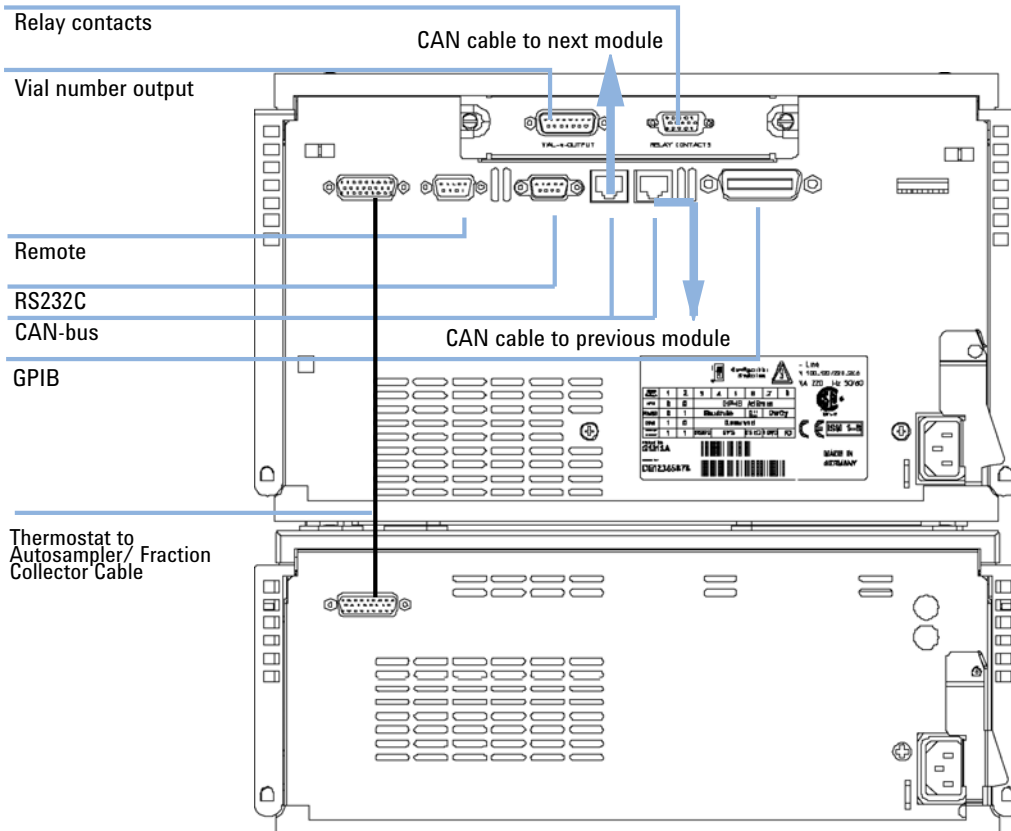


Figure 9 Cable Connections.

Stage 3: Flow Connections

WARNING

When opening capillary or tube fittings, solvents may leak out.

The handling of toxic and hazardous solvents and reagents can carry health risks.

- Observe appropriate safety procedures (for example, wear goggles, safety gloves and protective clothing) as described in the material handling and safety data sheet supplied by the solvent vendor, especially when toxic or hazardous solvents are used.

3 Installing the Thermostat

Installing the Thermostat

The following procedure describes the installation of the flow connections of the G1329A/B Autosampler. For information about other autosampler or fraction collector modules see the 'Installing' chapter in the corresponding manuals.

- 1 Connect the pump outlet capillary to port 1 of the injection valve.
- 2 Connect column-compartment inlet capillary to port 6 of the injection valve.
- 3 Ensure that the waste tube is positioned inside the leak channel.

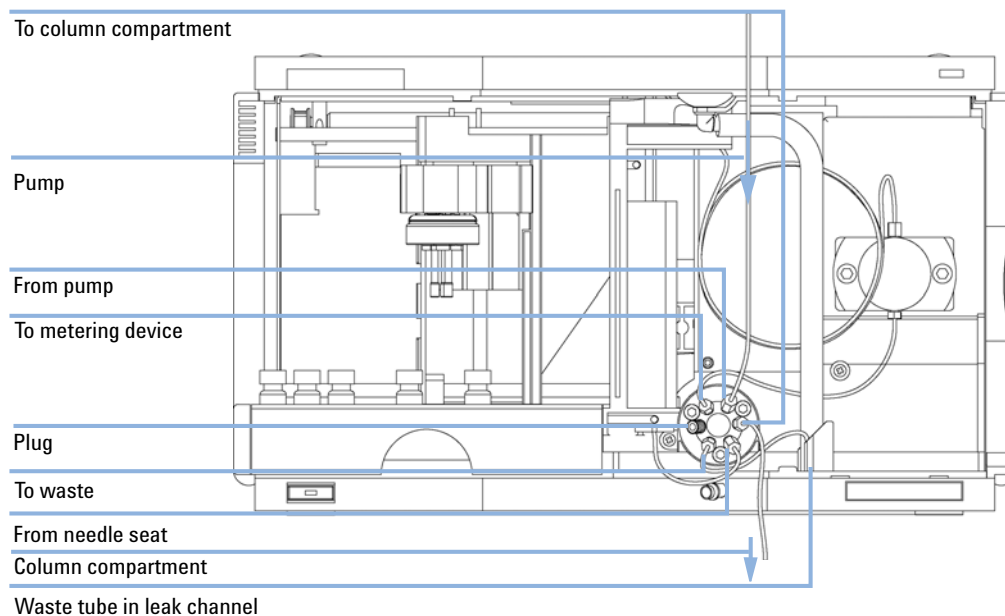


Figure 10 Hydraulic Connections

Stage 4: Installing the Sample Tray

- 1 Load the sample tray with sample vials as required.
- 2 Slide the sample tray into the autosampler so that the rear of the sample tray is seated firmly against the rear of the sample-tray area.
- 3 Press the front of the sample tray down to secure the tray in the autosampler. If the tray pops out of its position the air channel adapter is not inserted correctly.

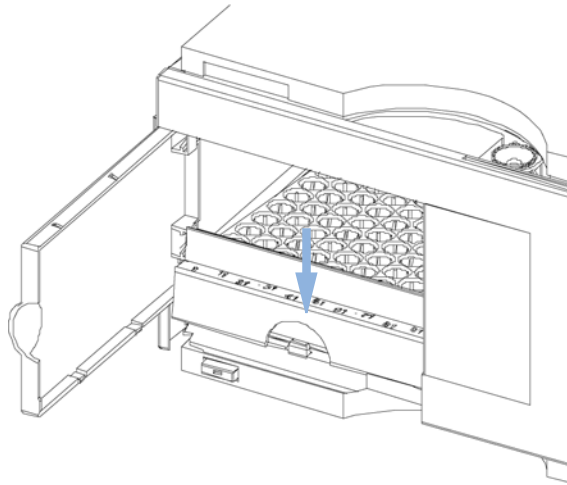


Figure 11 Installing the Sample Tray

Half-Tray Combinations

NOTE

In the autosampler only the 100 vial tray is supported for temperature control of the vials. Nevertheless the half trays of the standard autosampler (G1329A/B) can be used in the thermostatted autosampler as well. However when these trays are installed cooling or heating of the vials in the tray will not work.

Half-trays can be installed in any combination enabling both 1.8 ml- and 6 ml-vials to be used simultaneously.

3 Installing the Thermostat

Installing the Thermostat

Numbering of Vial Positions

The standard 100-vial tray has vial positions 1 to 100. However, when using two half-trays, the numbering convention is slightly different. The vial positions of the right-hand half tray begin at position 101 as follows:

Left-hand 40-position tray: 1–40

Left-hand 15-position tray: 1–15

Right-hand 40-position tray: 101–140

Right-hand 15-position tray: 101–115

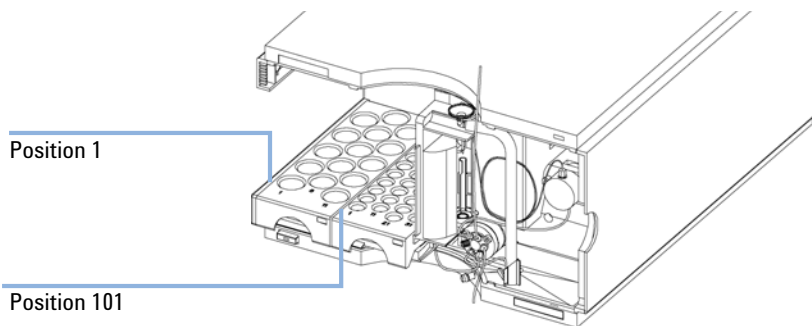


Figure 12 Numbering of Tray Positions.

Stage 5: Installing Tray Cover and Front Cover

- 1 Fix the tray cover in the clips of the left autosampler cover side by sliding it in position. Do not close the tray cover.
- 2 Position the front cover in the top left corner of the autosampler and turn it towards the instrument. Press the stop fastener to secure it in the right side cover of the autosampler.
- 3 Close the tray cover.

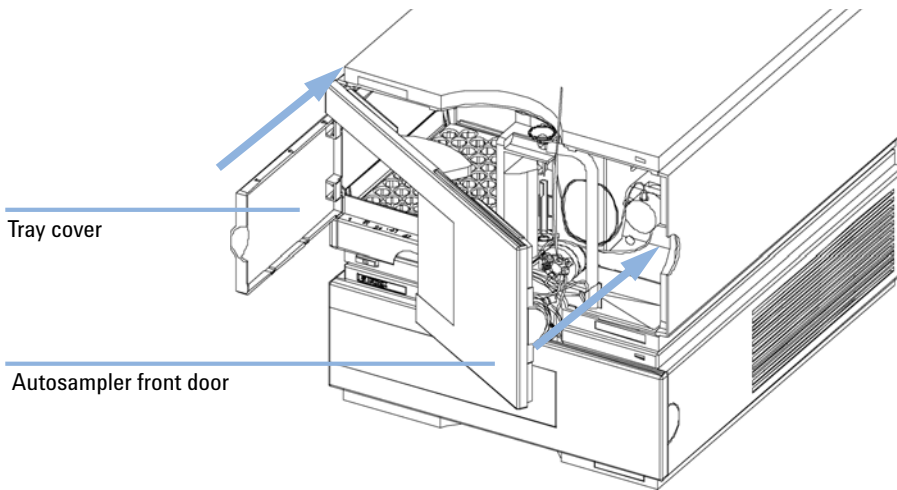


Figure 13 Installation of Tray Cover and Front Cover of the Autosampler

Stage 6: Turning on the Thermostatted Autosampler/ Fraction collector

- 1 Depress the power switch to turn on the two modules.

NOTE

The power switch stays depressed (1) and a green indicator lamp in the power switch is on when the module is turned on. When the line power switch stands out (0) and the green light is off, the module is turned off.

3 Installing the Thermostat

Transporting the Thermostatted Autosampler or Fraction Collector

Transporting the Thermostatted Autosampler or Fraction Collector

When moving the autosampler or fraction collector around the laboratory, make sure that any condensed water inside the thermostat is removed. Tilt the module to the front, so that the water inside the thermostat can safely flow into the leak funnel. Otherwise no special precautions are needed for the modules.

WARNING

Heavy weight

The module is heavy (20.7 kg (45.6 lbs)).

- Carry the module at least with 2 people.
- Avoid back strain or injury by following all precautions for lifting heavy objects.
- Ensure that the load is as close to your body as possible.
- Ensure that you can cope with the weight of your load.

CAUTION

Mechanical damage of the module

If the transport assembly is not parked, the module could be damaged due to excessive shock of the shipping container during transport.

- Always park the transport assembly before shipment.

If the autosampler or fraction collector needs to be shipped to another location via carrier, ensure:

- The two modules are shipped in separate boxes.
- The transport assembly of the autosampler or fraction collector is parked, see "Park Arm (Park Gripper)" in your respective Service Manual for more information.
- The vial tray is secured.



4 Troubleshooting and Diagnostics

Agilent Lab Advisor Software	34
Overview of the Thermostat's Indicators and Test Functions	35
Status Indicators	36
Power Supply Indicator	36
Module Status Indicator	37



Agilent Lab Advisor Software

The Agilent Lab Advisor software is a standalone product that can be used with or without data system. Agilent Lab Advisor software helps to manage the lab for high quality chromatographic results and can monitor in real time a single Agilent LC or all the Agilent GCs and LCs configured on the lab intranet.

Agilent Lab Advisor software provides diagnostic capabilities for all Agilent 1200 Infinity Series modules. This includes diagnostic capabilities, calibration procedures and maintenance routines for all the maintenance routines.

The Agilent Lab Advisor software also allows users to monitor the status of their LC instruments. The Early Maintenance Feedback (EMF) feature helps to carry out preventive maintenance. In addition, users can generate a status report for each individual LC instrument. The tests and diagnostic features as provided by the Agilent Lab Advisor software may differ from the descriptions in this manual. For details refer to the Agilent Lab Advisor software help files.

The Instrument Utilities is a basic version of the Lab Advisor with limited functionality required for installation, use and maintenance. No advanced repair, troubleshooting and monitoring functionality is included.

Overview of the Thermostat's Indicators and Test Functions

Status Indicators

The thermostatted autosampler is provided with two status indicators which indicate the operational state (prerun, run, and error states) of the instrument. Both are located on the autosampler module. The status indicators provide a quick visual check of the operation of the thermostatted autosampler (see [“Status Indicators”](#) on page 36).

Error Messages

In the event of an electronic, mechanical or hydraulic failure, the instrument generates an error message in the user interface. For details on error messages and error handling, please refer to the Agilent Lab Advisor software.

Status Indicators

Two status indicators are located on the front of the autosampler. The lower left indicates the power supply status, the upper right indicates the thermostatted autosampler status.

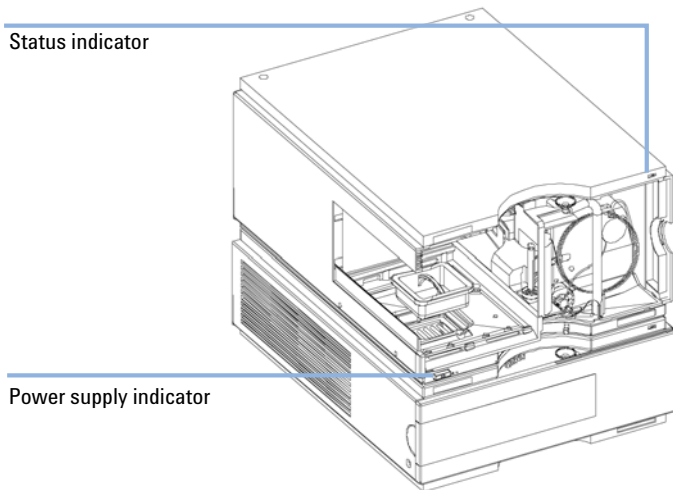


Figure 14 Location of Status Indicators

Power Supply Indicator

The power supply indicator is integrated into the main power switch. When the indicator is illuminated (*green*) the power is ON.

Module Status Indicator

NOTE

The Thermostat itself has no status indicator. Any Error condition will only show up on the Autosampler/Fraction Collector status LED's.

- When the status indicator is *OFF* (and power switch light is on), the module is in a *prerun* condition, and is ready to begin an analysis.
- A *green* status indicator, indicates the module is performing an analysis (*run* mode).
- A *yellow* indicator indicates a *not-ready* condition. The module is in a not-ready state when it is waiting for a specific condition to be reached or completed (for example, immediately after changing a set point), or while a self-test procedure is running.
- An *error* condition is indicated when the status indicator is *red*. An error condition indicates the module has detected an internal problem which affects correct operation of the module. Usually, an error condition requires attention (e.g. leak, defective internal components). An error condition always interrupts the analysis.

If the error occurs during analysis, it is propagated within the LC system, i.e. a red LED may indicate a problem of a different module. Use the status display of your user interface for finding the root cause/module of the error.

- A *blinking* indicator indicates that the module is in resident mode (e.g. during update of main firmware).
- A *fast blinking* indicator indicates that the module is in a low-level error mode. In such a case try to re-boot the module or try a cold-start, then try a firmware update of the autosampler/ fraction collector (for details see the manual of your autosampler/ fraction collector).

4 Troubleshooting and Diagnostics

Status Indicators



5 Error Information

What Are Error Messages	40
General Error Messages	41
Timeout	41
Shutdown	42
Remote Timeout	42
Lost CAN Partner	43
Leak Sensor Short	43
Leak Sensor Open	44
Compensation Sensor Open	44
Compensation Sensor Short	45
Fan Failed	45
Leak	46
Open Cover	46
Cover Violation	47
Thermostat Error Messages	48
Fan Failed	48
Temperature Control Failed (1 - 4)	49
Temperature Sensor Failed (1 - 4)	49
Lost Contact to Autosampler Thermostat	50
Power Fail for Autosampler Thermostat Module	50
Temperature out of Range	51
Bad Cooling / Heating Performance	52

This chapter describes the meaning of error messages, and provides information on probable causes and suggested actions how to recover from error conditions.



What Are Error Messages

Error messages are displayed in the user interface when an electronic, mechanical, or hydraulic (flow path) failure occurs which requires attention before the analysis can be continued (for example, repair, or exchange of consumables is necessary). In the event of such a failure, the red status indicator at the front of the module is switched on, and an entry is written into the module logbook.

If an error occurs outside a method run, other modules will not be informed about this error. If it occurs within a method run, all connected modules will get a notification, all LEDs get red and the run will be stopped. Depending on the module type, this stop is implemented differently. For example, for a pump the flow will be stopped for safety reasons. For a detector, the lamp will stay on in order to avoid equilibration time. Depending on the error type, the next run can only be started, if the error has been resolved, for example liquid from a leak has been dried. Errors for presumably single time events can be recovered by switching on the system in the user interface.

Special handling is done in case of a leak. As a leak is a potential safety issue and may have occurred at a different module from where it has been observed, a leak always causes a shutdown of all modules, even outside a method run.

In all cases, error propagation is done via the CAN bus or via an APG remote cable (see documentation for the APG interface).

General Error Messages

General error messages are generic to all Agilent series HPLC modules and may show up on other modules as well.

Timeout

Error ID: 0062

The timeout threshold was exceeded.

Probable cause

- 1 The analysis was completed successfully, and the timeout function switched off the module as requested.
- 2 A not-ready condition was present during a sequence or multiple-injection run for a period longer than the timeout threshold.

Suggested actions

- Check the logbook for the occurrence and source of a not-ready condition. Restart the analysis where required.
- Check the logbook for the occurrence and source of a not-ready condition. Restart the analysis where required.

Shutdown

Error ID: 0063

An external instrument has generated a shutdown signal on the remote line.

The module continually monitors the remote input connectors for status signals. A LOW signal input on pin 4 of the remote connector generates the error message.

Probable cause

- 1 Leak detected in another module with a CAN connection to the system.
- 2 Leak detected in an external instrument with a remote connection to the system.
- 3 Shut-down in an external instrument with a remote connection to the system.

Suggested actions

- Fix the leak in the external instrument before restarting the module.
- Fix the leak in the external instrument before restarting the module.
- Check external instruments for a shut-down condition.

Remote Timeout

Error ID: 0070

A not-ready condition is still present on the remote input. When an analysis is started, the system expects all not-ready conditions (for example, a not-ready condition during detector balance) to switch to run conditions within one minute of starting the analysis. If a not-ready condition is still present on the remote line after one minute the error message is generated.

Probable cause

- 1 Not-ready condition in one of the instruments connected to the remote line.
- 2 Defective remote cable.
- 3 Defective components in the instrument showing the not-ready condition.

Suggested actions

- Ensure the instrument showing the not-ready condition is installed correctly, and is set up correctly for analysis.
- Exchange the remote cable.
- Check the instrument for defects (refer to the instrument's documentation).

Lost CAN Partner

Error ID: 0071

During an analysis, the internal synchronization or communication between one or more of the modules in the system has failed.

The system processors continually monitor the system configuration. If one or more of the modules is no longer recognized as being connected to the system, the error message is generated.

Probable cause

- 1 CAN cable disconnected.
- 2 Defective CAN cable.
- 3 Defective main board in another module.

Suggested actions

- Ensure all the CAN cables are connected correctly.
 - Ensure all CAN cables are installed correctly.
- Exchange the CAN cable.
- Switch off the system. Restart the system, and determine which module or modules are not recognized by the system.

Leak Sensor Short

Error ID: 0082

The leak sensor in the module has failed (short circuit).

The current through the leak sensor is dependent on temperature. A leak is detected when solvent cools the leak sensor, causing the leak sensor current to change within defined limits. If the current increases above the upper limit, the error message is generated.

Probable cause

- 1 Defective leak sensor.
- 2 Leak sensor incorrectly routed, being pinched by a metal component.

Suggested actions

- Please contact your Agilent service representative.
- Please contact your Agilent service representative.

Leak Sensor Open

Error ID: 0083

The leak sensor in the module has failed (open circuit).

The current through the leak sensor is dependent on temperature. A leak is detected when solvent cools the leak sensor, causing the leak-sensor current to change within defined limits. If the current falls outside the lower limit, the error message is generated.

Probable cause	Suggested actions
1 Leak sensor not connected to the main board.	Please contact your Agilent service representative.
2 Defective leak sensor.	Please contact your Agilent service representative.
3 Leak sensor incorrectly routed, being pinched by a metal component.	Please contact your Agilent service representative.

Compensation Sensor Open

Error ID: 0081

The ambient-compensation sensor (NTC) on the main board in the module has failed (open circuit).

The resistance across the temperature compensation sensor (NTC) on the main board is dependent on ambient temperature. The change in resistance is used by the leak circuit to compensate for ambient temperature changes. If the resistance across the sensor increases above the upper limit, the error message is generated.

Probable cause	Suggested actions
1 Defective main board.	Please contact your Agilent service representative.

Compensation Sensor Short

Error ID: 0080

The ambient-compensation sensor (NTC) on the main board in the module has failed (short circuit).

The resistance across the temperature compensation sensor (NTC) on the main board is dependent on ambient temperature. The change in resistance is used by the leak circuit to compensate for ambient temperature changes. If the resistance across the sensor falls below the lower limit, the error message is generated.

Probable cause

- 1 Defective main board.

Suggested actions

Please contact your Agilent service representative.

Fan Failed

Error ID: 0068

The cooling fan in the module has failed.

The hall sensor on the fan shaft is used by the main board to monitor the fan speed. If the fan speed falls below a certain limit for a certain length of time, the error message is generated.

Depending on the module, assemblies (e.g. the lamp in the detector) are turned off to assure that the module does not overheat inside.

Probable cause

- 1 Fan cable disconnected.
- 2 Defective fan.
- 3 Defective main board.

Suggested actions

Please contact your Agilent service representative.

Please contact your Agilent service representative.

Please contact your Agilent service representative.

Leak

Error ID: 0064

A leak was detected in the module.

The signals from the two temperature sensors (leak sensor and board-mounted temperature-compensation sensor) are used by the leak algorithm to determine whether a leak is present. When a leak occurs, the leak sensor is cooled by the solvent. This changes the resistance of the leak sensor which is sensed by the leak-sensor circuit on the main board.

Probable cause

- 1 Loose fittings.
- 2 Broken capillary.

Suggested actions

- Ensure all fittings are tight.
- Exchange defective capillaries.

Open Cover

Error ID: 0205

The top foam has been removed.

Probable cause

- 1 Foam not activating the sensor.
- 2 Defective sensor or main board.

Suggested actions

- Please contact your Agilent service representative.
- Please contact your Agilent service representative.

Cover Violation

Error ID: 7461

The top foam has been removed.

The sensor on the main board detects when the top foam is in place. If the foam is removed while the lamps are on (or if an attempt is made to switch on for example the lamps with the foam removed), the lamps are switched off, and the error message is generated.

Probable cause

- 1 The top foam was removed during operation.
- 2 Foam not activating the sensor.

Suggested actions

- Please contact your Agilent service representative.
- Please contact your Agilent service representative.

Thermostat Error Messages

Error messages are displayed in the user interface when an electronic failure occurs with the autosampler thermostat module which requires attention. In the event of such a failure, the red status indicator at the front of the thermostatted autosampler is switched on, and an entry is written into the instrument log book.

This section describes the meaning of autosampler thermostat module error messages, and provides information on probable causes and suggested actions how to recover from error conditions.

Fan Failed

Error ID: 4109

Each fan in the thermostat is equipped with a speed sensor, that allows monitoring and control the speed of the fans. If the sensor shows no signal, when the fan is activated, it is very likely that the fan is defective. The number in brackets indicates the fan position. Position numbers of the fans are as follows (seen from front of the thermostat)

- **fan failed 1** - left side, fan in front position
- **fan failed 2** - left side, fan in back position
- **fan failed 3** - right side, fan in back position
- **fan failed 4** - right side, fan in front position
- **fan failed 5** - small cooler fan on top of cooling / heating module

Probable cause

- 1 One of the 4 heat-sink fans is defective.
- 2 The cooling heating module fan is defective

Suggested actions

- See *Service Manual* for Exchanging the Heatsink Fans.
- See *Service Manual* for Exchanging Heat Exchanger Fan.

Temperature Control Failed (1 - 4)

Error ID: 4110

There are four Peltier elements built into the autosampler thermostat for efficient cooling / heating. The electronics monitor the current through the Peltier elements. If the Peltier current is out of a specified limit the Peltier element is defective.

Probable cause

- 1 One of the four peltier elements is defective.

Suggested actions

Peltier elements cannot be replaced on-site. Please contact Agilent Technologies service organization to initiate instrument exchange process.

Temperature Sensor Failed (1 - 4)

Error ID: 4111

The autosampler thermostat is equipped with four sensors to monitor the performance of the instrument. The sensors are connected to both sides of the Peltier elements for control of the cooling / heating efficiency. As the positioning of the sensor is critical to meet the performance requirements of the autosampler thermostat the single sensors cannot be replaced separately.

Probable cause

- 1 Temperature sensor is defective

Suggested actions

See *Service Manual* for Exchanging the Sensors.

Lost Contact to Autosampler Thermostat

Error ID: 4112

The autosampler control electronics continuously check whether the autosampler thermostat is active or not.

Probable cause	Suggested actions
1 Bad cable connection between autosampler and autosampler thermostat	Check cable connection between autosampler and autosampler thermostat.
2 Cable between autosampler and thermostat module not connected	Connect cable between autosampler and autosampler thermostat.
3 Defective electronic board in autosampler or autosampler thermostat	<ul style="list-style-type: none">• Exchange ASM board in the autosampler.• Exchange TCA board in the thermostat.• Contact the Agilent Technologies service organization.

Power Fail for Autosampler Thermostat Module

Error ID: 4113

The +36 V that is generated in the autosampler thermostat power supply is checked by the autosampler electronics. If this voltage is missing the error message will be generated.

Probable cause	Suggested actions
1 Autosampler thermostat module not connected to line power	Check correct power line connection.
2 Autosampler thermostat module fuse(s) defective	Check fuse(s) and replace if defective.
3 Autosampler thermostat power supply defective	Contact the Agilent Technologies service organization.

Temperature out of Range

Error ID: 4114

To protect the Peltier elements from damage their working range is limited to -3 °C to 65 °C. The error message is generated when at least one of the four Peltier elements exceeds this limit.

Probable cause

- 1 The four main heat exchanger fans are not able to blow enough air through the autosampler thermostat
- 2 Ambient temperature too high / low

Suggested actions

- Clean the air filters and heat exchanger fins in the autosampler thermostat. Switch off the thermostat and wait 10 min for the peltier elements to equilibrate.
 - Make sure that there is enough space on left and right side of the autosampler thermostat and that the air channel inlets and outlets are not blocked.
- Make sure that the ambient air temperature is within its specified limits (4 °C to 55 °C).

Bad Cooling / Heating Performance

Error ID: 4120

When turned on, the autosampler thermostat Peltier elements are activated according to the given setpoint or to given setpoint change. The electronics check whether the actual temperature is moving in the correct direction (e.g., decreasing when cooled down).

Probable cause

- 1 Peltier element(s) defective
- 2 Peltier element(s) not connected or incorrectly connected (e.g., after repair or maintenance)
- 3 The four main heat exchanger fans are not able to blow enough air through the autosampler thermostat

Suggested actions

- Contact the Agilent Technologies service organization.
- Check connections of the Peltier elements.
- Clean the air filters and heat exchanger fins in the autosampler thermostat. Switch off the thermostat and wait 10 min for the peltier elements to equilibrate.
 - Make sure that there is enough space on left and right side of the autosampler thermostat and that the air channel inlets and outlets are not blocked.



6 Maintenance

Warnings and Cautions	54
Introduction to Maintenance	56
Cleaning the Module	57
Exchanging the Power Supply Fuses	58



Warnings and Cautions

CAUTION

Damaged electronics

Disconnecting or reconnecting the autosampler/ fraction collector to thermostat cable when the power cords are connected to either of the two modules will damage the electronics of the modules. In such a case, mainboards of both instruments must be exchanged, otherwise they can damage the other instrument.

- Make sure the power cords are unplugged before disconnecting or reconnecting the autosampler/ fraction collector to thermostat cable.
-

WARNING

Module is partially energized when switched off, as long as the power cord is plugged in.

Risk of stroke and other personal injury. Repair work at the module can lead to personal injuries, e. g. shock hazard, when the module cover is opened and the instrument is connected to power.

- Never perform any adjustment, maintenance or repair of the module with the top cover removed and with the power cord plugged in.
 - The security lever at the power input socket prevents that the module cover is taken off when line power is still connected. Never plug the power line back in when cover is removed.
-

WARNING

Sharp metal edges

Sharp-edged parts of the equipment may cause injuries.

- To prevent personal injury, be careful when getting in contact with sharp metal areas.
-

WARNING

Toxic, flammable and hazardous solvents, samples and reagents

The handling of solvents, samples and reagents can hold health and safety risks.

- When working with these substances observe appropriate safety procedures (for example by wearing goggles, safety gloves and protective clothing) as described in the material handling and safety data sheet supplied by the vendor, and follow good laboratory practice.
 - The volume of substances should be reduced to the minimum required for the analysis.
 - Do not operate the instrument in an explosive atmosphere.
-

CAUTION

Safety standards for external equipment

- If you connect external equipment to the instrument, make sure that you only use accessory units tested and approved according to the safety standards appropriate for the type of external equipment.
-

Introduction to Maintenance

The module is designed for easy maintenance. Maintenance can be done from the front with module in place in the system stack.

NOTE

There are no serviceable parts inside.
Do not open the module.

Cleaning the Module

To keep the module case clean, use a soft cloth slightly dampened with water, or a solution of water and mild detergent.

WARNING

Liquid dripping into the electronic compartment of your module can cause shock hazard and damage the module

- Do not use an excessively damp cloth during cleaning.
 - Drain all solvent lines before opening any connections in the flow path.
-

Exchanging the Power Supply Fuses

The fuse holders are located on the rear panel of the thermostat.

When If wrong fuses are installed.

Tools required

Description
Flat head screwdriver

Parts required

p/n	Description
2110-0015	Fuses T2.5 A/250V (CSA, UL listed)

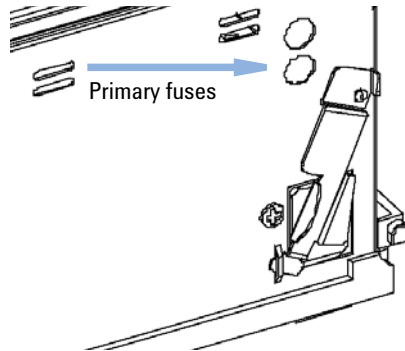
CAUTION

Damaged electronics

Disconnecting or reconnecting the autosampler/ fraction collector to thermostat cable when the power cords are connected to either of the two modules will damage the electronics of the modules. In such a case, mainboards of both instruments must be exchanged, otherwise they can damage the other instrument.

→ Make sure the power cords are unplugged before disconnecting or reconnecting the autosampler/ fraction collector to thermostat cable.

- 1 Switch OFF the power switch at the front of the thermostatted autosampler.
- 2 Remove the power cable from the two modules.
- 3 Insert the flat head screwdriver in the fuse holder, slightly press and turn counter clockwise to release the fuse holder from the socket.



- 4 Pull the fuse holder out of the socket.
- 5 Remove the fuse from the fuse holder.
- 6 Insert a new fuse in the fuse holder.
- 7 Reinsert the fuse holder and fix with the screwdriver.
- 8 Reinsert the power cables.
- 9 Switch ON the power switch.

6 Maintenance

Exchanging the Power Supply Fuses



7 Parts for Maintenance

Main Assemblies (External Parts) 62

Accessory Kit 63

HPLC System Tool Kit 64

Plastic Parts 65



Main Assemblies (External Parts)

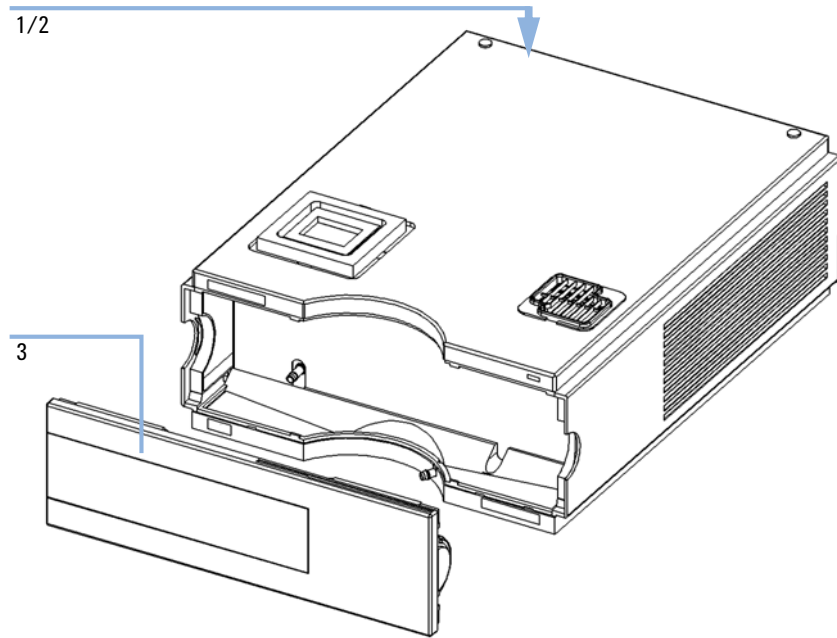


Figure 15 Main Assemblies

Item	p/n	Description
1	2110-0015	Fuses T2.5 A/250V (CSA, UL listed)
2	2110-0029	Fuse TCA - Board (T3 A/250 V; CSA, UL listed)
3	5065-9982	Plastics kit (includes base, top, left and right sides)
	G1330-81600	Cable, Autosampler/ Fraction Collector to Thermostat

Accessory Kit

Item	p/n	Description
1	G1330-67300	Waste Tube Assy
2	G1330-81600	Cable, Autosampler/ Fraction Collector to Thermostat

HPLC System Tool Kit

HPLC System Tool Kit (G4203-68708) contains some accessories and tools needed for installation and maintenance of the module.

Plastic Parts

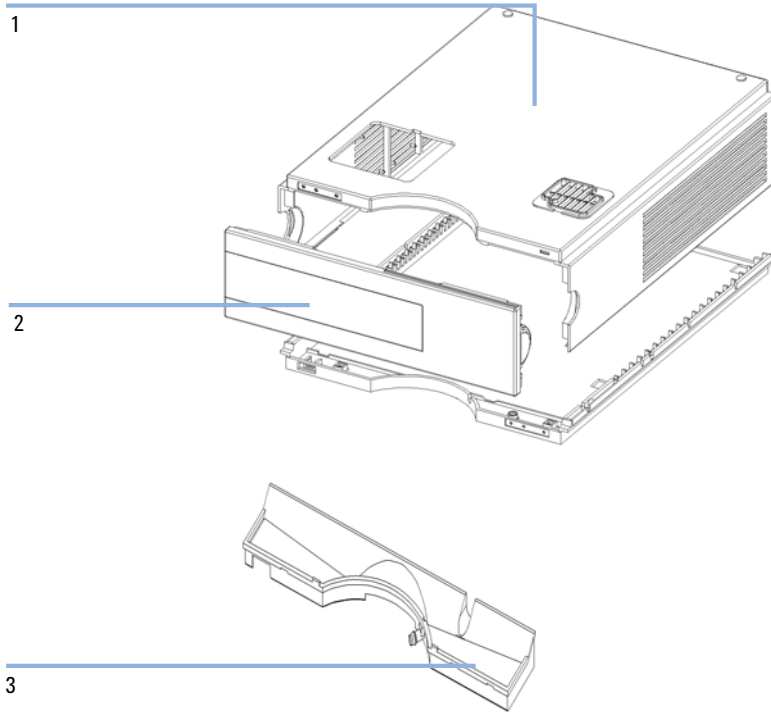


Figure 16 Plastic Parts

Item	p/n	Description
1	G1330-68723	Cover kit (includes base, top, left and right)
2	5065-9982	Plastics kit (includes base, top, left and right sides)
	5042-8907	Leak pan, solvent cabinet

7 **Parts for Maintenance**

Plastic Parts



8 Cable Identification

Cable Overview	68
Analog Cables	70
Remote Cables	72
BCD Cables	75
Auxiliary Cable	77
CAN/LAN Cables	78
External Contact Cable	79
RS-232 Cable Kit	80



Cable Overview

NOTE

Never use cables other than the ones supplied by Agilent Technologies to ensure proper functionality and compliance with safety or EMC regulations.

Analog cables

p/n	Description
35900-60750	Agilent module to 3394/6 integrators
35900-60750	Agilent 35900A A/D converter
01046-60105	Analog cable (BNC to general purpose, spade lugs)

Remote cables

p/n	Description
03394-60600	Agilent module to 3396A Series I integrators 3396 Series II / 3395A integrator, see details in section “Remote Cables” on page 72
03396-61010	Agilent module to 3396 Series III / 3395B integrators
5061-3378	Remote Cable
01046-60201	Agilent module to general purpose

BCD cables

p/n	Description
03396-60560	Agilent module to 3396 integrators
G1351-81600	Agilent module to general purpose

CAN cables

p/n	Description
5181-1516	CAN cable, Agilent module to module, 0.5 m
5181-1519	CAN cable, Agilent module to module, 1 m

LAN cables

p/n	Description
5023-0203	Cross-over network cable, shielded, 3 m (for point to point connection)
5023-0202	Twisted pair network cable, shielded, 7 m (for point to point connection)

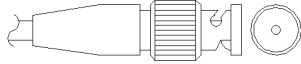
External Contact Cable

p/n	Description
G1103-61611	External contact cable - Agilent module interface board to general purposes

RS-232 cables

p/n	Description
G1530-60600	RS-232 cable, 2 m
RS232-61601	RS-232 cable, 2.5 m Instrument to PC, 9-to-9 pin (female). This cable has special pin-out, and is not compatible with connecting printers and plotters. It's also called "Null Modem Cable" with full handshaking where the wiring is made between pins 1-1, 2-3, 3-2, 4-6, 5-5, 6-4, 7-8, 8-7, 9-9.
5181-1561	RS-232 cable, 8 m

Analog Cables



One end of these cables provides a BNC connector to be connected to Agilent modules. The other end depends on the instrument to which connection is being made.

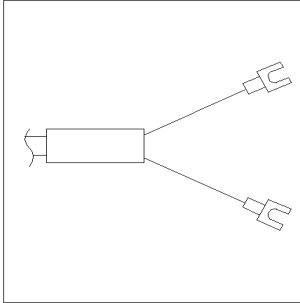
Agilent Module to 3394/6 Integrators

p/n 35900-60750	Pin 3394/6	Pin Agilent module	Signal Name
	1		Not connected
	2	Shield	Analog -
	3	Center	Analog +

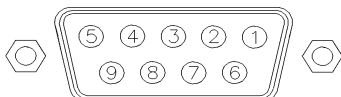
Agilent Module to BNC Connector

p/n 8120-1840	Pin BNC	Pin Agilent module	Signal Name
	Shield	Shield	Analog -
	Center	Center	Analog +

Agilent Module to General Purpose

p/n 01046-60105	Pin	Pin Agilent module	Signal Name
	1		Not connected
	2	Black	Analog -
	3	Red	Analog +

Remote Cables



One end of these cables provides a Agilent Technologies APG (Analytical Products Group) remote connector to be connected to Agilent modules. The other end depends on the instrument to be connected to.

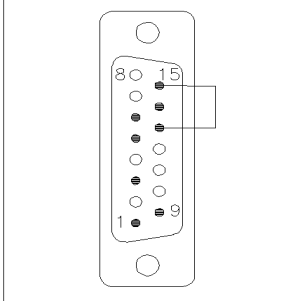
Agilent Module to 3396A Integrators

p/n 03394-60600	Pin 3396A	Pin Agilent module	Signal Name	Active (TTL)
	9	1 - White	Digital ground	
	NC	2 - Brown	Prepare run	Low
	3	3 - Gray	Start	Low
	NC	4 - Blue	Shut down	Low
	NC	5 - Pink	Not connected	
	NC	6 - Yellow	Power on	High
	5,14	7 - Red	Ready	High
	1	8 - Green	Stop	Low
	NC	9 - Black	Start request	Low
	13, 15		Not connected	

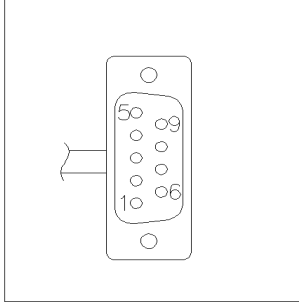
Agilent Module to 3396 Series II / 3395A Integrators

Use the cable Agilent module to 3396A Series I integrators (03394-60600) and cut pin #5 on the integrator side. Otherwise the integrator prints START; not ready.

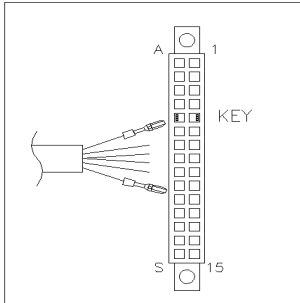
Agilent Module to 3396 Series III / 3395B Integrators

p/n 03396-61010	Pin 33XX	Pin Agilent module	Signal Name	Active (TTL)
	9	1 - White	Digital ground	
	NC	2 - Brown	Prepare run	Low
	3	3 - Gray	Start	Low
	NC	4 - Blue	Shut down	Low
	NC	5 - Pink	Not connected	
	NC	6 - Yellow	Power on	High
	14	7 - Red	Ready	High
	4	8 - Green	Stop	Low
	NC	9 - Black	Start request	Low
	13, 15		Not connected	

Agilent Module to Agilent 35900 A/D Converters

p/n 5061-3378	Pin 35900 A/D	Pin Agilent module	Signal Name	Active (TTL)
	1 - White	1 - White	Digital ground	
	2 - Brown	2 - Brown	Prepare run	Low
	3 - Gray	3 - Gray	Start	Low
	4 - Blue	4 - Blue	Shut down	Low
	5 - Pink	5 - Pink	Not connected	
	6 - Yellow	6 - Yellow	Power on	High
	7 - Red	7 - Red	Ready	High
	8 - Green	8 - Green	Stop	Low
	9 - Black	9 - Black	Start request	Low

Agilent Module to General Purpose

p/n 01046-60201	Wire Color	Pin Agilent module	Signal Name	Active (TTL)
	White	1	Digital ground	
	Brown	2	Prepare run	Low
	Gray	3	Start	Low
	Blue	4	Shut down	Low
	Pink	5	Not connected	
	Yellow	6	Power on	High
	Red	7	Ready	High
	Green	8	Stop	Low
	Black	9	Start request	Low

BCD Cables

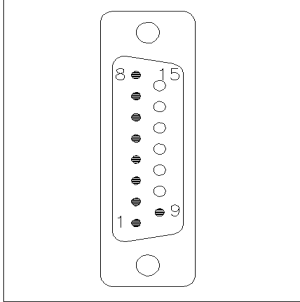


One end of these cables provides a 15-pin BCD connector to be connected to the Agilent modules. The other end depends on the instrument to be connected to

Agilent Module to General Purpose

p/n G1351-81600	Wire Color	Pin Agilent module	Signal Name	BCD Digit
	Green	1	BCD 5	20
	Violet	2	BCD 7	80
	Blue	3	BCD 6	40
	Yellow	4	BCD 4	10
	Black	5	BCD 0	1
	Orange	6	BCD 3	8
	Red	7	BCD 2	4
	Brown	8	BCD 1	2
	Gray	9	Digital ground	Gray
	Gray/pink	10	BCD 11	800
	Red/blue	11	BCD 10	400
	White/green	12	BCD 9	200
	Brown/green	13	BCD 8	100
	not connected	14		
	not connected	15	+ 5 V	Low

Agilent Module to 3396 Integrators

p/n 03396-60560	Pin 3396	Pin Agilent module	Signal Name	BCD Digit
	1	1	BCD 5	20
	2	2	BCD 7	80
	3	3	BCD 6	40
	4	4	BCD 4	10
	5	5	BCD0	1
	6	6	BCD 3	8
	7	7	BCD 2	4
	8	8	BCD 1	2
	9	9	Digital ground	
	NC	15	+ 5 V	Low

Auxiliary Cable

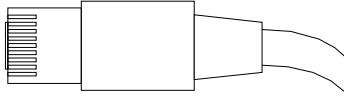


One end of this cable provides a modular plug to be connected to the Agilent vacuum degasser. The other end is for general purpose.

Agilent Vacuum Degasser to general purposes

p/n G1322-81600	Color	Pin Agilent 1100	Signal Name
	White	1	Ground
	Brown	2	Pressure signal
	Green	3	
	Yellow	4	
	Grey	5	DC + 5 V IN
	Pink	6	Vent

CAN/LAN Cables



Both ends of this cable provide a modular plug to be connected to Agilent modules CAN or LAN connectors.

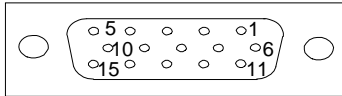
CAN Cables

p/n	Description
5181-1516	CAN cable, Agilent module to module, 0.5 m
5181-1519	CAN cable, Agilent module to module, 1 m

LAN Cables

p/n	Description
5023-0203	Cross-over network cable, shielded, 3 m (for point to point connection)
5023-0202	Twisted pair network cable, shielded, 7 m (for point to point connection)

External Contact Cable



One end of this cable provides a 15-pin plug to be connected to Agilent modules interface board. The other end is for general purpose.

Agilent Module Interface Board to general purposes

p/n G1103-61611	Color	Pin Agilent module	Signal Name
	White	1	EXT 1
	Brown	2	EXT 1
	Green	3	EXT 2
	Yellow	4	EXT 2
	Grey	5	EXT 3
	Pink	6	EXT 3
	Blue	7	EXT 4
	Red	8	EXT 4
	Black	9	Not connected
	Violet	10	Not connected
	Grey/pink	11	Not connected
	Red/blue	12	Not connected
	White/green	13	Not connected
	Brown/green	14	Not connected
	White/yellow	15	Not connected

RS-232 Cable Kit

p/n	Description
G1530-60600	RS-232 cable, 2 m
RS232-61601	RS-232 cable, 2.5 m Instrument to PC, 9-to-9 pin (female). This cable has special pin-out, and is not compatible with connecting printers and plotters. It's also called "Null Modem Cable" with full handshaking where the wiring is made between pins 1-1, 2-3, 3-2, 4-6, 5-5, 6-4, 7-8, 8-7, 9-9.
5181-1561	RS-232 cable, 8 m



9 Hardware Information

Electrical Connections	82
Information on Instrument Serial Number	83
Rear View of the Module	84
Early Maintenance Feedback	85

This chapter describes the module in more detail on hardware and electronics.

NOTE

Details on electrical connections are described in the autosampler/fraction collector manuals.



Electrical Connections

- The CAN bus is a serial bus with high speed data transfer. The two connectors for the CAN bus are used for internal module data transfer and synchronization.
- The interface board slot is used for external contacts and BCD bottle number output or LAN connections.
- The REMOTE connector may be used in combination with other analytical instruments from Agilent Technologies if you want to use features such as start, stop, common shut down, prepare, and so on.
- With the appropriate software, the RS-232C connector may be used to control the module from a computer through a RS-232C connection. This connector is activated and can be configured with the configuration switch.
- The Thermostat-Autosampler/ Fraction collector connection is used for control signal transfer and synchronization of the two modules. The cable must be installed for operation of the thermostat. Make sure the power cords are unplugged before disconnecting or reconnecting the cable coupling between both modules.
- The power input socket accepts a line voltage of 100 – 240 VAC \pm 10 % with a line frequency of 50 or 60 Hz. Maximum power consumption varies by module. There is no voltage selector on your module because the power supply has wide-ranging capability. There are no externally accessible fuses, because automatic electronic fuses are implemented in the power supply.

NOTE

Never use cables other than the ones supplied by Agilent Technologies to ensure proper functionality and compliance with safety or EMC regulations.

Information on Instrument Serial Number

Serial Number Information 1200 Series and 1290 Infinity

The serial number information on the instrument labels provide the following information:

CCYWWSSSSS	Format
CC	country of manufacturing <ul style="list-style-type: none"> • DE = Germany • JP = Japan • CN = China
YWW	year and week of last major manufacturing change, e.g. 820 could be week 20 of 1998 or 2008
SSSSS	real serial number

Serial Number Information 1260 Infinity

The serial number information on the instrument labels provide the following information:

CCXZZ00000	Format
CC	Country of manufacturing <ul style="list-style-type: none"> • DE = Germany • JP = Japan • CN = China
X	Alphabetic character A-Z (used by manufacturing)
ZZ	Alpha-numeric code 0-9, A-Z, where each combination unambiguously denotes a module (there can be more than one code for the same module)
00000	Serial number

Rear View of the Module

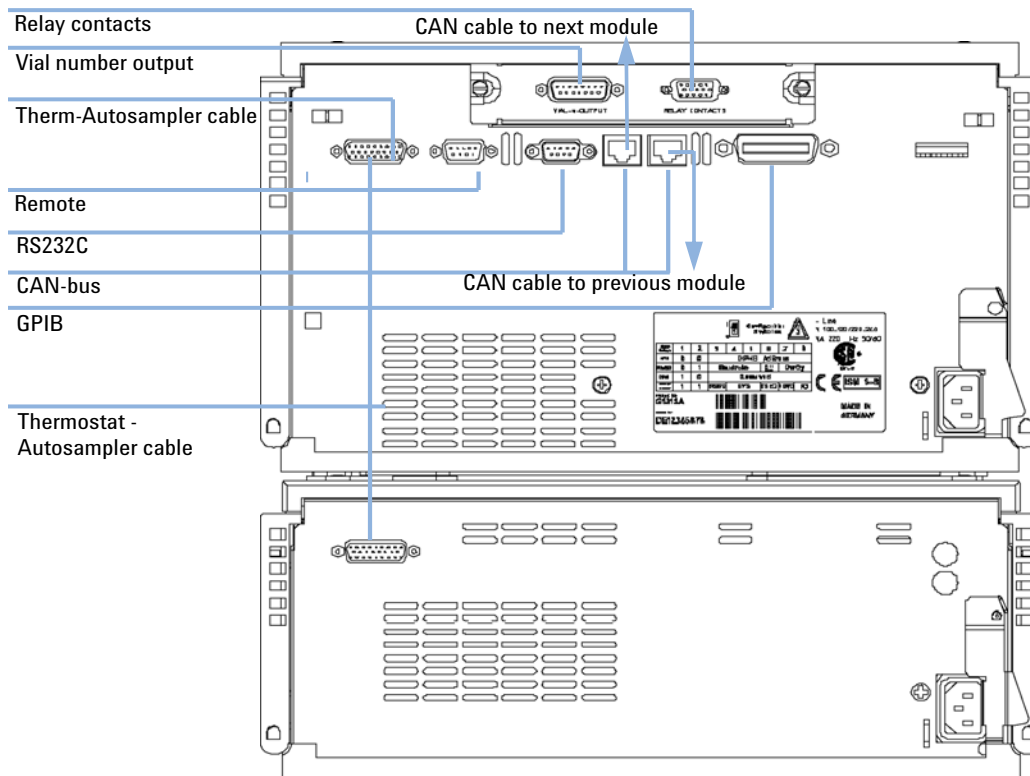


Figure 17 Electrical Connections

Early Maintenance Feedback

Maintenance requires the exchange of components which are subject to wear or stress. Ideally, the frequency at which components are exchanged should be based on the intensity of usage of the module and the analytical conditions, and not on a predefined time interval. The early maintenance feedback (**EMF**) feature monitors the usage of specific components in the instrument, and provides feedback when the user-selectable limits have been exceeded. The visual feedback in the user interface provides an indication that maintenance procedures should be scheduled.

EMF Counters

EMF counters increment with use and can be assigned a maximum limit which provides visual feedback in the user interface when the limit is exceeded. Some counters can be reset to zero after the required maintenance procedure.

Using the EMF Counters

The user-settable **EMF** limits for the **EMF Counters** enable the early maintenance feedback to be adapted to specific user requirements. The useful maintenance cycle is dependent on the requirements for use. Therefore, the definition of the maximum limits need to be determined based on the specific operating conditions of the instrument.

Setting the EMF Limits

The setting of the **EMF** limits must be optimized over one or two maintenance cycles. Initially the default **EMF** limits should be set. When instrument performance indicates maintenance is necessary, take note of the values displayed by the **EMF counters**. Enter these values (or values slightly less than the displayed values) as **EMF** limits, and then reset the **EMF counters** to zero. The next time the **EMF counters** exceed the new **EMF** limits, the **EMF** flag will be displayed, providing a reminder that maintenance needs to be scheduled.

9 **Hardware Information**
Early Maintenance Feedback



10 Appendix

General Safety Information 88

The Waste Electrical and Electronic Equipment (WEEE) Directive
(2002/96/EC) 91

Radio Interference 92

Sound Emission 93






Agilent Technologies on Internet 94



General Safety Information

Safety Symbols

Table 4 Safety Symbols

Symbol	Description
	The apparatus is marked with this symbol when the user should refer to the instruction manual in order to protect risk of harm to the operator and to protect the apparatus against damage.
	Indicates dangerous voltages.
	Indicates a protected ground terminal.
	Indicates eye damage may result from directly viewing the light produced by the deuterium lamp used in this product.
	The apparatus is marked with this symbol when hot surfaces are available and the user should not touch it when heated up.

WARNING

A WARNING

alerts you to situations that could cause physical injury or death.

- Do not proceed beyond a warning until you have fully understood and met the indicated conditions.

CAUTION

A CAUTION

alerts you to situations that could cause loss of data, or damage of equipment.

- Do not proceed beyond a caution until you have fully understood and met the indicated conditions.

General Safety Information

The following general safety precautions must be observed during all phases of operation, service, and repair of this instrument. Failure to comply with these precautions or with specific warnings elsewhere in this manual violates safety standards of design, manufacture, and intended use of the instrument. Agilent Technologies assumes no liability for the customer's failure to comply with these requirements.

WARNING

Ensure the proper usage of the equipment.

The protection provided by the equipment may be impaired.

→ The operator of this instrument is advised to use the equipment in a manner as specified in this manual.

Safety Standards

This is a Safety Class I instrument (provided with terminal for protective earthing) and has been manufactured and tested according to international safety standards.

Operation

Before applying power, comply with the installation section. Additionally the following must be observed.

Do not remove instrument covers when operating. Before the instrument is switched on, all protective earth terminals, extension cords, auto-transformers, and devices connected to it must be connected to a protective earth via a ground socket. Any interruption of the protective earth grounding will cause a potential shock hazard that could result in serious personal injury. Whenever it is likely that the protection has been impaired, the instrument must be made inoperative and be secured against any intended operation.

Make sure that only fuses with the required rated current and of the specified type (normal blow, time delay, and so on) are used for

replacement. The use of repaired fuses and the short-circuiting of fuse holders must be avoided.

Some adjustments described in the manual, are made with power supplied to the instrument, and protective covers removed. Energy available at many points may, if contacted, result in personal injury.

Any adjustment, maintenance, and repair of the opened instrument under voltage should be avoided whenever possible. When inevitable, this has to be carried out by a skilled person who is aware of the hazard involved. Do not attempt internal service or adjustment unless another person, capable of rendering first aid and resuscitation, is present. Do not replace components with power cable connected.

Do not operate the instrument in the presence of flammable gases or fumes. Operation of any electrical instrument in such an environment constitutes a definite safety hazard.

Do not install substitute parts or make any unauthorized modification to the instrument.

Capacitors inside the instrument may still be charged, even though the instrument has been disconnected from its source of supply. Dangerous voltages, capable of causing serious personal injury, are present in this instrument. Use extreme caution when handling, testing and adjusting.

When working with solvents, observe appropriate safety procedures (for example, goggles, safety gloves and protective clothing) as described in the material handling and safety data sheet by the solvent vendor, especially when toxic or hazardous solvents are used.

The Waste Electrical and Electronic Equipment (WEEE) Directive (2002/96/EC)

Abstract

The Waste Electrical and Electronic Equipment (WEEE) Directive (2002/96/EC), adopted by EU Commission on 13 February 2003, is introducing producer responsibility on all electric and electronic appliances starting with 13 August 2005.

NOTE

This product complies with the WEEE Directive (2002/96/EC) marking requirements. The affixed label indicates that you must not discard this electrical/electronic product in domestic household waste.

Product Category:

With reference to the equipment types in the WEEE Directive Annex I, this product is classed as a Monitoring and Control Instrumentation product.



NOTE

Do not dispose off in domestic household waste

To return unwanted products, contact your local Agilent office, or see www.agilent.com for more information.

Radio Interference

Cables supplied by Agilent Technologies are screened to provide optimized protection against radio interference. All cables are in compliance with safety or EMC regulations.

Test and Measurement

If test and measurement equipment is operated with unscreened cables, or used for measurements on open set-ups, the user has to assure that under operating conditions the radio interference limits are still met within the premises.

Sound Emission

Manufacturer's Declaration

This statement is provided to comply with the requirements of the German Sound Emission Directive of 18 January 1991.

This product has a sound pressure emission (at the operator position) < 70 dB.

- Sound Pressure $L_p < 70$ dB (A)
- At Operator Position
- Normal Operation
- According to ISO 7779:1988/EN 27779/1991 (Type Test)

Agilent Technologies on Internet

For the latest information on products and services visit our worldwide web site on the Internet at:

<http://www.agilent.com>

Index

A

- Agilent Lab Advisor software 34
- Agilent Lab Advisor 34
- Agilent
 - on internet 94
- ALS thermostat parts and materials
 - accessory kit 63
 - main assemblies 62, 63
- ALS thermostat repairs
 - power supply fuses 58
- ambient non-operating temperature 15
- ambient operating temperature 15
- analog
 - cable 70
- Autosampler Thermostat Operation 8
- auxiliary
 - cable 77

B

- BCD
 - cable 75
- bench space 14

C

- cable
 - analog 70
 - auxiliary 77
 - BCD 75
 - CAN 78
 - external contact 79
 - LAN 78
 - remote 72
 - RS-232 80
- cables

- analog 68
- BCD 68
- CAN 69
 - external contact 69
- LAN 69
- overview 68
- remote 68
- RS-232 69

CAN

- cable 78
- cautions and warnings 54
- cleaning 57
- compensation sensor open 44
- compensation sensor short 45
- condensation 6, 14, 14

D

- defect on arrival 18
- delay volume 19
- delivery checklist 18, 18
- dimensions 15

E

- electrical connections
 - descriptions of 82
- electronic waste 91
- EMF
 - early maintenance feedback 85
- environment 12, 14
- error messages
 - ALS thermostat 48
 - bad cooling / heating performance 52
 - compensation sensor open 44

- compensation sensor short 45
- fan failed 45, 48
- ignition without cover 46, 46
- leak sensor open 44
- leak sensor short 43
- leak 46
- lost CAN partner 43
- lost contact to ALS thermostat 50
- power fail ALS thermostat 50
- remote timeout 42
- shutdown 42
- temperature control failed 49
- temperature out of range 51
- temperature sensor failed 49
- timeout 41

- external contact
 - cable 79

F

- failure 35
- fan failed 45
- flow path 19
- frequency range 15
- fuses 12, 58

G

- general error messages 41

H

- half-tray combinations 29
- humidity 15

I

- injection valve 6

Index

- installation
 - thermostatted autosampler 21
- installation
 - bench space 14
- installing the thermostat
 - preparation 22
- installing the thermostatted autosampler
 - flow connections 27
 - power cable and interface cable 25
 - sample tray 29
 - tray cover and front cover 31
 - turning on the instrument 31
- internet 94
- introduction to the thermostat 6
- L**
- LAN
 - cable 78
- leak sensor open 44
- leak sensor short 43
- leak 46
- line frequency 15
- line voltage 15
- lost CAN partner 43
- M**
- maintenance
 - definition of 56
 - feedback 85
- message
 - ignition without cover 46, 46
 - remote timeout 42
- missing parts 18
- multi-draw option 6
- N**
- non-operating altitude 15
- non-operating temperature 15
- O**
- operating Altitude 15
- operating temperature 15
- optimizing the stack configuration 19, 19
- P**
- packaging
 - damaged 18
- park transport assembly 32
- parts and materials 18
- performance specifications 16
- physical specifications 15
- power consideration 12
- power consumption 15
- power cords 13
- power requirements 12
- power supply indicator 36
- R**
- radio interference 92
- remote
 - cable 72
- repairs
 - cautions and warnings 54
- RS-232C
 - cable 80
- S**
- safety class I 89
- safety
 - general information 89
 - standards 15
 - symbols 88
- sample tray 6
- sample trays
 - numbering of vial positions 30
- serial number
 - information 83, 83
- shipping 32
- shutdown 42
- site requirements 12, 12
 - power cords 13
- sound emission 93
- specification
 - physical 15
- specifications 16
- status indicators 36
- status indicator 35
- storage 14
- T**
- temperature sensor 46
- temperature 14
- timeout 41
- tool kit
 - hplc system 64
- transport mechanism 6
- transport 32, 32
- troubleshooting
 - error messages 40
- V**
- vial racks 6
- vial tray 32
- vials 6
- voltage range 15
- W**
- warnings and cautions 54
- waste
 - electrical and electronic equipment 91
- WEEE directive 91
- weight 15

In This Book

This manual contains information about the Agilent 1290 Infinity Thermostat. This manual describes the following:

- introduction,
- site requirements and specifications,
- installing the thermostatted autosampler,
- optimizing performance,
- troubleshooting and diagnostics,
- maintenance,
- parts and materials for maintenance,
- cable identification,
- configuring the thermostatted autosampler,
- appendix.

© Agilent Technologies 2011-2014, 2015

Printed in Germany
05/2015



G1330-90014
Rev. B