



Agilent 1260 Infinity Quaternary Pump VL

User Manual



Agilent Technologies

Notices

© Agilent Technologies, Inc. 2010-2012, 2013

No part of this manual may be reproduced in any form or by any means (including electronic storage and retrieval or translation into a foreign language) without prior agreement and written consent from Agilent Technologies, Inc. as governed by United States and international copyright laws.

Manual Part Number

G1311-90015 Rev. B

Edition

11/2013

Printed in Germany

Agilent Technologies
Hewlett-Packard-Strasse 8
76337 Waldbronn

This product may be used as a component of an in vitro diagnostic system if the system is registered with the appropriate authorities and complies with the relevant regulations. Otherwise, it is intended only for general laboratory use.

Warranty

The material contained in this document is provided “as is,” and is subject to being changed, without notice, in future editions. Further, to the maximum extent permitted by applicable law, Agilent disclaims all warranties, either express or implied, with regard to this manual and any information contained herein, including but not limited to the implied warranties of merchantability and fitness for a particular purpose. Agilent shall not be liable for errors or for incidental or consequential damages in connection with the furnishing, use, or performance of this document or of any information contained herein. Should Agilent and the user have a separate written agreement with warranty terms covering the material in this document that conflict with these terms, the warranty terms in the separate agreement shall control.

Technology Licenses

The hardware and/or software described in this document are furnished under a license and may be used or copied only in accordance with the terms of such license.

Restricted Rights Legend

If software is for use in the performance of a U.S. Government prime contract or subcontract, Software is delivered and licensed as “Commercial computer software” as defined in DFAR 252.227-7014 (June 1995), or as a “commercial item” as defined in FAR 2.101(a) or as “Restricted computer software” as defined in FAR 52.227-19 (June 1987) or any equivalent agency regulation or contract clause. Use, duplication or disclosure of Software is subject to Agilent Technologies’ standard commercial license terms, and non-DOD Departments and Agencies of the U.S. Government will

receive no greater than Restricted Rights as defined in FAR 52.227-19(c)(1-2) (June 1987). U.S. Government users will receive no greater than Limited Rights as defined in FAR 52.227-14 (June 1987) or DFAR 252.227-7015 (b)(2) (November 1995), as applicable in any technical data.

Safety Notices

CAUTION

A **CAUTION** notice denotes a hazard. It calls attention to an operating procedure, practice, or the like that, if not correctly performed or adhered to, could result in damage to the product or loss of important data. Do not proceed beyond a **CAUTION** notice until the indicated conditions are fully understood and met.

WARNING

A **WARNING** notice denotes a hazard. It calls attention to an operating procedure, practice, or the like that, if not correctly performed or adhered to, could result in personal injury or death. Do not proceed beyond a **WARNING** notice until the indicated conditions are fully understood and met.

In This Guide...

This manual covers the Agilent 1260 Infinity Quaternary Pump VL (G1311C).

1 Introduction

This chapter gives an introduction to the module, instrument overview and internal connectors.

2 Site Requirements and Specifications

This chapter provides information on environmental requirements, physical and performance specifications.

3 Installing the Pump

This chapter gives information about the preferred stack setup for your system and the installation of your module.

4 Using the Pump

This chapter provides information for optimized usage of the module.

5 Optimizing Performance

This chapter gives hints on how to optimize the performance or use additional devices.

6 Troubleshooting and Diagnostics

This chapter gives an overview about the troubleshooting and diagnostic features and the different user interfaces.

7 Error Information

This chapter describes the meaning of error messages, and provides information on probable causes and suggested actions how to recover from error conditions.

In This Guide...

8 Test Functions and Calibration

This chapter describes the tests for the module.

9 Maintenance

This chapter describes the maintenance of the module.

10 Parts for Maintenance

This chapter provides information on parts for maintenance.

11 Identifying Cables

This chapter provides information on cables used with the Agilent 1200 Infinity Series modules.

12 Hardware Information

This chapter describes the pump in more detail on hardware and electronics.

13 Appendix

This chapter provides addition information on safety, legal and web.

Contents

| | | |
|----------|---|-----------|
| 1 | Introduction | 9 |
| | Introduction to the Pump | 10 |
| | Overview of the Hydraulic Path | 11 |
| | System Overview | 16 |
| 2 | Site Requirements and Specifications | 19 |
| | Site Requirements | 20 |
| | Physical Specifications | 23 |
| | Performance Specifications | 24 |
| 3 | Installing the Pump | 27 |
| | Unpacking the Pump | 28 |
| | Optimizing the Stack Configuration | 32 |
| | Installation Information on Leak and Waste Handling | 35 |
| | Installing the Pump | 39 |
| | Connecting Modules and Control Software | 42 |
| | Flow Connections of the Pump | 44 |
| | Priming the System | 47 |
| 4 | Using the Pump | 53 |
| | Leak and Waste Handling | 54 |
| | Hints for Successful Use of the Pump | 55 |
| | Setting up the Pump with the G4208A Instant Pilot | 56 |
| | Setting up the Pump with the Instrument Control Interface | 57 |
| | Solvent Information | 66 |
| | Algae Growth in HPLC Systems | 72 |
| | Prevent Blocking of Solvent Filters | 73 |

| | | |
|----------|---|------------|
| 5 | Optimizing Performance | 75 |
| | Using the Degasser | 76 |
| | Operational Hints for the Multi Channel Gradient Valve (MCGV) | 77 |
| | When to use the Seal Wash Function | 78 |
| | Choosing the Right Pump Seals | 79 |
| | Optimize the Compressibility Compensation Setting | 80 |
| 6 | Troubleshooting and Diagnostics | 83 |
| | Overview of the Module's Indicators and Test Functions | 84 |
| | Status Indicators | 86 |
| | User Interfaces | 88 |
| | Agilent Lab Advisor Software | 89 |
| 7 | Error Information | 91 |
| | What Are Error Messages | 93 |
| | General Error Messages | 94 |
| | Module Error Messages | 102 |
| 8 | Test Functions and Calibration | 117 |
| | Introduction | 118 |
| | System Pressure Test | 119 |
| | Leak Rate Test | 124 |
| 9 | Maintenance | 129 |
| | Introduction to Maintenance | 130 |
| | Warnings and Cautions | 131 |
| | Overview of Maintenance and Repair | 132 |
| | Cleaning the Module | 133 |
| | Checking and Replacing the Solvent Filter | 134 |
| | Exchanging the Passive Inlet Valve (PIV) | 135 |
| | Exchanging the Outlet Valve | 137 |
| | Exchanging the Purge Valve Frit | 139 |
| | Removing the Pump Head Assembly | 141 |
| | Maintenance of a Pump Head Without Seal Wash Option | 143 |
| | Maintenance of a Pump Head with Seal Wash Option | 146 |
| | Reinstalling the Pump Head Assembly | 150 |

| | |
|--|------------|
| Seal Wear-in Procedure | 152 |
| Exchanging the Multi-Channel Gradient Valve (MCGV) | 153 |
| Exchanging the Optional Interface Board | 156 |
| Exchanging the Active Inlet Valve (AIV) or its Cartridge | 158 |
| Exchanging the Seal Wash Cartridge | 160 |
| Replacing the Module Firmware | 162 |
| 10 Parts for Maintenance | 163 |
| Pump Head Assembly Without Seal Wash | 164 |
| Pump Head Assembly with Seal Wash | 166 |
| Outlet Valve | 168 |
| Purge Valve Assembly | 169 |
| Active Inlet Valve Assembly | 170 |
| HPLC Starter Kit G4201-68707 | 171 |
| HPLC Starter Kit G4202-68707 | 172 |
| HPLC System Tool Kit | 173 |
| Solvent Cabinet | 174 |
| Bottle Head Assembly | 175 |
| Hydraulic Path of the Quaternary Pump | 176 |
| 11 Identifying Cables | 179 |
| Cable Overview | 180 |
| Analog Cables | 182 |
| Remote Cables | 184 |
| BCD Cables | 187 |
| CAN Cable | 189 |
| External Contact Cable | 190 |
| Agilent Module to PC | 191 |
| Agilent 1200 Module to Printer | 192 |

12 Hardware Information 193

- The Electronics 194
- Firmware Description 195
- Optional Interface Boards 198
- Electrical Connections 202
- Interfaces 204
- Setting the 8-bit Configuration Switch (without On-board) LAN 211
- Early Maintenance Feedback 215
- Instrument Layout 216

13 Appendix 217

- General Safety Information 218
- The Waste Electrical and Electronic Equipment Directive 221
- Batteries Information 222
- Radio Interference 223
- Sound Emission 224
- Agilent Technologies on Internet 225



1 Introduction

| | |
|---|----|
| Introduction to the Pump | 10 |
| Overview of the Hydraulic Path | 11 |
| Hydraulic Path | 12 |
| How Does the Pump Work? | 12 |
| How Does Compressibility Compensation Work? | 15 |
| How Does Variable Stroke Volume Work? | 15 |
| System Overview | 16 |
| Leak and Waste Handling | 16 |

This chapter gives an introduction to the module, instrument overview and internal connectors.



Introduction to the Pump

The quaternary pump comprises an optional solvent cabinet, a vacuum degasser and a four-channel gradient pump. The four-channel gradient pump comprises a high-speed proportioning valve and a pump assembly. It provides gradient generation by low pressure mixing. A solvent cabinet provides enough space for four one-liter bottles. An active seal wash (optional) is available when the quaternary pump is used with concentrated buffer solutions.

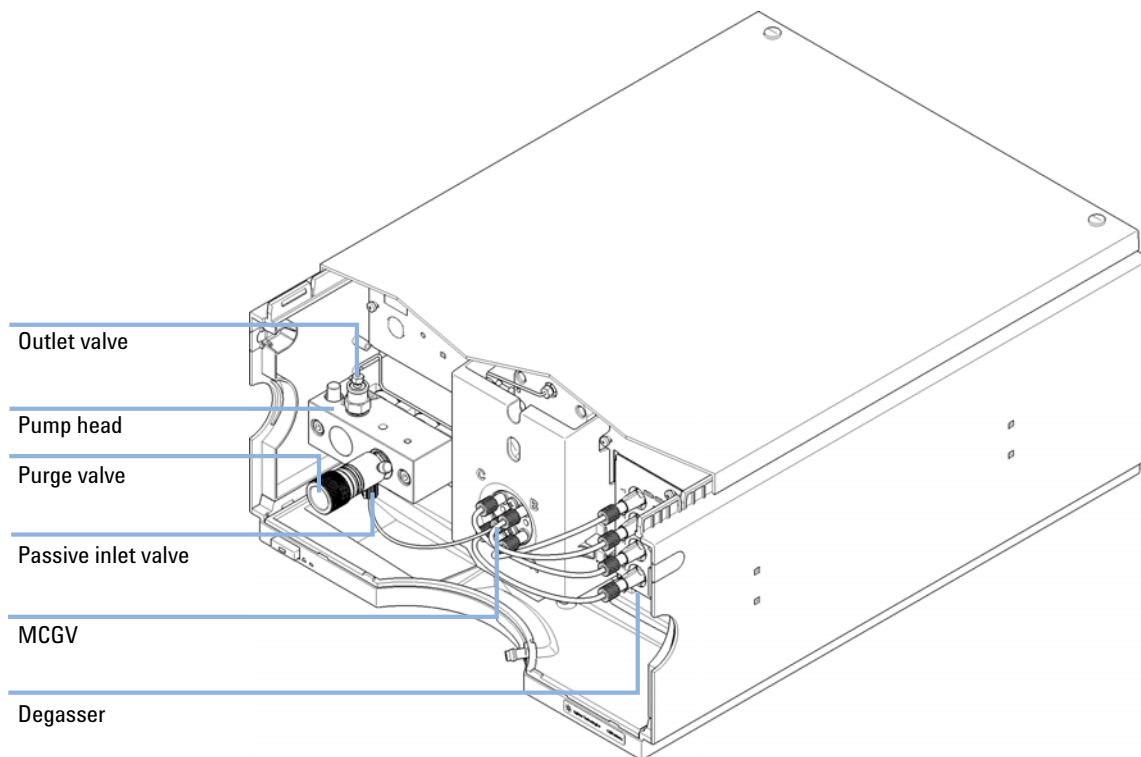


Figure 1 Overview of the Quaternary Pump

Overview of the Hydraulic Path

The quaternary pump is based on a two-channel, dual-piston in-series design which comprises all essential functions that a solvent delivery system has to fulfill. Metering of solvent and delivery to the high-pressure side are performed by one pump assembly which can generate pressure up to 400 bar.

Degassing of the solvents is done in a built-in vacuum degasser. Solvent compositions are generated on the low-pressure side by a multi-channel gradient valve (MCGV), which is a high-speed proportioning valve.

The pump assembly includes a pump head with a passive inlet valve and an outlet valve. A damping unit is connected between the two piston chambers. A purge valve including a PTFE frit is fitted at the pump outlet for convenient priming of the pump head.

An optional seal wash function is available for applications using concentrated buffers as solvents.

Hydraulic Path

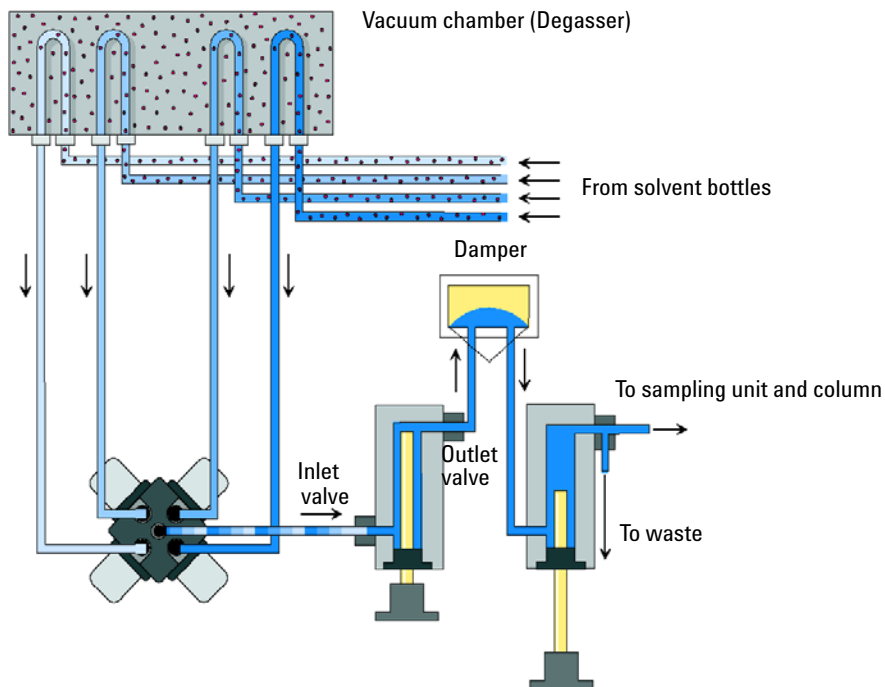


Figure 2 Hydraulic Path of the Quaternary Pump

How Does the Pump Work?

In the quaternary pump, the liquid runs from the solvent reservoir through the degasser to the MCGV and from there to the inlet valve.

The pump assembly comprises two substantially identical piston/chamber units. Both piston/chamber units comprise a ball-screw drive and a pump head with one sapphire piston for reciprocating movement in it.

A servo-controlled variable reluctance motor drives the two ball screw drives in opposite directions. The gears for the ball-screw drives have different circumferences (ratio 2:1) allowing the first piston to move at twice the speed of the second piston. The solvent enters the pump head close to the bottom limit and leaves it at its top. The outer diameter of

the piston is smaller than the inner diameter of the pump head chamber allowing the solvent to fill the gap inbetween. The first piston has a stroke volume in the range of 20 – 100 μL depending on the flow rate. The microprocessor controls all flow rates in a range of 1 $\mu\text{L}/\text{min}$ – 10 mL/min . The inlet of the first pumping unit is connected to the passive inlet valve.

The outlet of the first piston/chamber unit is connected through the outlet valve and the damping unit to the inlet of the second piston/chamber unit. The outlet of the purge valve assembly is then connected to the following chromatographic system.

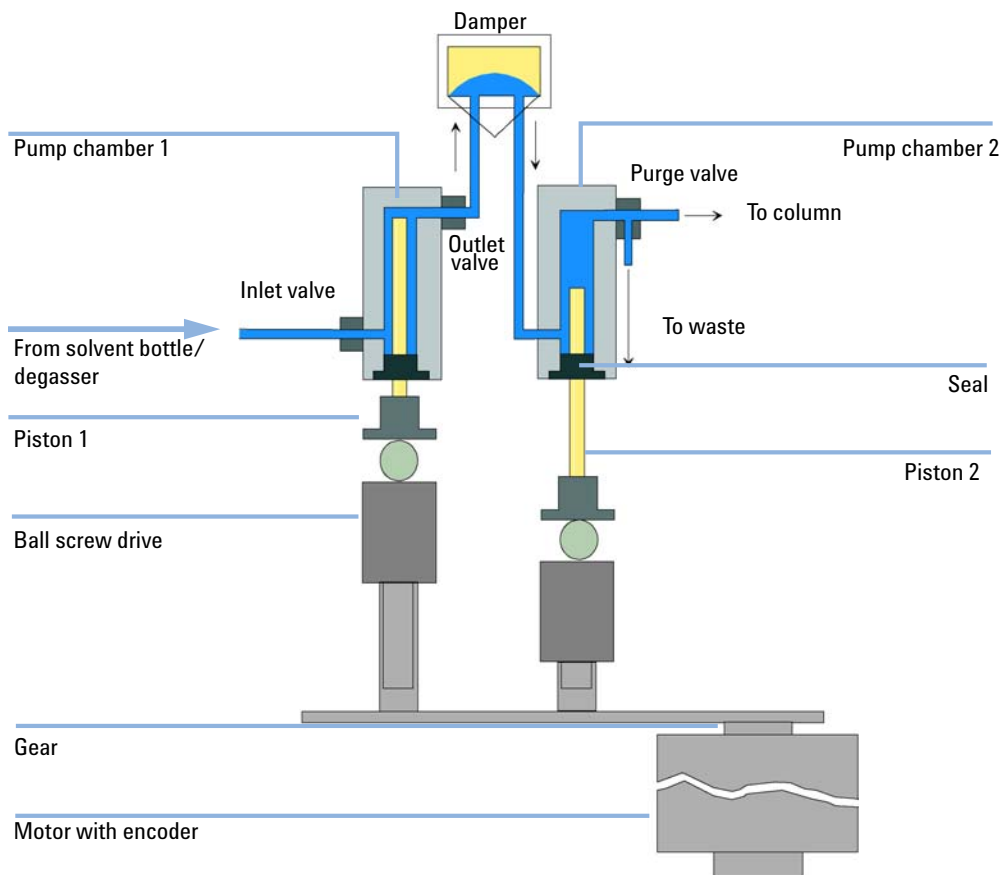


Figure 3 Principle of the Pump

1 Introduction

Overview of the Hydraulic Path

When turned on, the pump runs through an initialization procedure to determine the upper dead position of the first piston. The first piston moves slowly upwards into the mechanical stop of the pump chamber and from there it moves back for a defined distance. The controller stores this piston position in memory. After this initialization the pump starts operation with the set parameters. The passive inlet valve opens and the down-moving piston draws solvent into the first pump chamber. At the same time the second piston moves upwards delivering to the system. After a controller-defined stroke length that depends on the flow rate the drive motor is stopped and the passive inlet valve closes. The motor direction is reversed and moves the first piston up until it reaches the stored upper limit and at the same time the second piston moves downwards. Then the sequence starts again moving the pistons up and down between the two limits. During the up movement of the first piston the solvent in the pump chamber is pressed through the outlet valve into the second pump chamber. The second piston draws in half of the volume displaced by the first piston and the remaining half volume is directly delivered to the system. During the drawing stroke of the first piston, the second piston delivers the drawn volume to the system.

For solvent compositions from the solvent bottles A, B, C, D the controller divides the length of the intake stroke in certain fractions in which the gradient valve connects the specified solvent channel to the pump input.

For specifications of the quaternary pump, see [“Performance Specifications”](#) on page 24.

How Does Compressibility Compensation Work?

The compressibility of the solvents in use will affect retention-time stability when the back pressure in the system changes (for example, ageing of column). In order to minimize this effect, the pump provides a compressibility compensation feature which optimizes the flow stability according to the solvent type. The compressibility compensation is set to a default value and can be changed through the user interface.

Without a compressibility compensation the following will happen during a stroke of the first piston. The pressure in the piston chamber increases and the volume in the chamber will be compressed depending on back pressure and solvent type. The volume displaced into the system will be reduced by the compressed volume.

With a compressibility value set the processor calculates a compensation volume, that depends on the back pressure of the system and the selected compressibility. This compensation volume will be added to the normal stroke volume and compensates the previously described *loss* of volume during the delivery stroke of the first piston.

How Does Variable Stroke Volume Work?

Due to the compression of the pump-chamber volume each piston stroke of the pump will generate a small pressure pulsation, influencing the flow stability of the pump. The amplitude of the pressure pulsation depends mainly on the stroke volume and the compressibility compensation for the solvent in use. Small stroke volumes generate pressure pulsations of smaller amplitude than higher stroke volumes at the same flow rate. In addition, the frequency of the pressure pulsations is higher. This decreases the influence of flow pulsations on quantitative results.

In gradient mode smaller stroke volumes result in a lower flow ripple improve composition ripple.

The module uses a processor-controlled spindle system for driving its pistons. The normal stroke volume is optimized for the selected flow rate. Small flow rates use a small stroke volume while higher flow rates use a higher stroke volume.

By default, the stroke volume for the pump is set to AUTO mode. This means that the stroke is optimized for the flow rate in use. A change to larger stroke volumes is possible but not recommended.

System Overview

Leak and Waste Handling

The 1200 Infinity Series has been designed for safe leak and waste handling. It is important that all security concepts are understood and instructions are carefully followed.

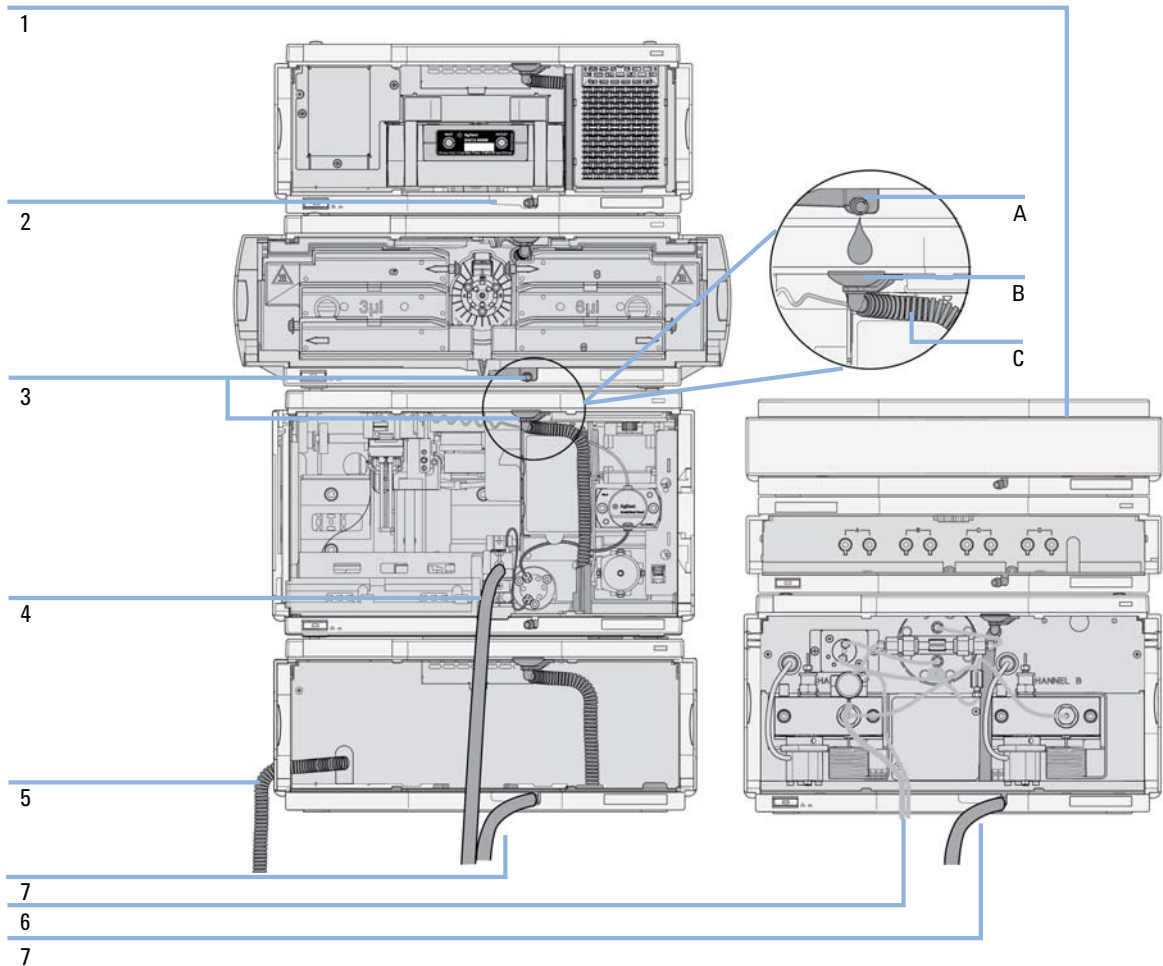


Figure 4 Leak and waste handling concept (overview - typical stack configuration as an example)

The solvent cabinet (1) is designed to store a maximum volume of 6 L solvent. The maximum volume for an individual bottle stored in the solvent cabinet should not exceed 2.5 L. For details, see the usage guideline for the Agilent 1200 Infinity Series Solvent Cabinets (a printed copy of the guideline has been shipped with the solvent cabinet, electronic copies are available on the Internet).

The leak pan (2) (individually designed in each module) guides solvents to the front of the module. The concept covers also leakages on internal parts (e.g. the detector's flow cell). The leak sensor in the leak pan stops the running system as soon as the leak detection level is reached.

The leak pan's outlet port (3, A) guides excessive overflow from one module to the next, as the solvent flows into the next module's leak funnel (3, B) and the connected corrugated waste tube (3, C). The corrugated waste tube guides the solvent to the next lower positioned module's leak tray and sensor.

The waste tube of the sampler's needle wash port (4) guides solvents to waste.

The condense drain outlet of the autosampler cooler (5) guides condensate to waste.

The waste tube of the purge valve (6) guides solvents to waste.

The waste tube connected to the leak pan outlet on each of the bottom instruments (7) guides the solvent to a suitable waste container.

1 Introduction

System Overview



2 Site Requirements and Specifications

| | |
|----------------------------|----|
| Site Requirements | 20 |
| Physical Specifications | 23 |
| Performance Specifications | 24 |

This chapter provides information on environmental requirements, physical and performance specifications.



Site Requirements

A suitable environment is important to ensure optimal performance of the instrument.

Power Considerations

The module power supply has wide ranging capability. It accepts any line voltage in the range described in [Table 1](#) on page 23. Consequently there is no voltage selector in the rear of the module. There are also no externally accessible fuses, because automatic electronic fuses are implemented in the power supply.

WARNING

Hazard of electrical shock or damage of your instrumentation can result, if the devices are connected to a line voltage higher than specified.

→ Connect your instrument to the specified line voltage only.

WARNING

The module is partially energized when switched off, as long as the power cord is plugged in.

Repair work at the module can lead to personal injuries, e.g. electrical shock, when the cover is opened and the module is connected to power.

→ Always unplug the power cable before opening the cover.

→ Do not connect the power cable to the instrument while the covers are removed.

CAUTION

Inaccessible power plug.

In case of emergency it must be possible to disconnect the instrument from the power line at any time.

→ Make sure the power connector of the instrument can be easily reached and unplugged.

→ Provide sufficient space behind the power socket of the instrument to unplug the cable.

Power Cords

Different power cords are offered as options with the module. The female end of all power cords is identical. It plugs into the power-input socket at the rear. The male end of each power cord is different and designed to match the wall socket of a particular country or region.

WARNING

Absence of ground connection or use of unspecified power cord

The absence of ground connection or the use of unspecified power cord can lead to electric shock or short circuit.

- Never operate your instrumentation from a power outlet that has no ground connection.
 - Never use a power cord other than the Agilent Technologies power cord designed for your region.
-

WARNING

Use of unsupplied cables

Using cables not supplied by Agilent Technologies can lead to damage of the electronic components or personal injury.

- Never use cables other than the ones supplied by Agilent Technologies to ensure proper functionality and compliance with safety or EMC regulations.
-

WARNING

Unintended use of supplied power cords

Using power cords for unintended purposes can lead to personal injury or damage of electronic equipment.

- Never use the power cords that Agilent Technologies supplies with this instrument for any other equipment.
-

Bench Space

The module dimensions and weight (see [Table 1](#) on page 23) allow you to place the module on almost any desk or laboratory bench. It needs an additional 2.5 cm (1.0 inches) of space on either side and approximately 8 cm (3.1 inches) in the rear for air circulation and electric connections.

If the bench shall carry a complete HPLC system, make sure that the bench is designed to bear the weight of all modules.

The module should be operated in a horizontal position.

Condensation

CAUTION

Condensation within the module

Condensation will damage the system electronics.

- Do not store, ship or use your module under conditions where temperature fluctuations could cause condensation within the module.
 - If your module was shipped in cold weather, leave it in its box and allow it to warm slowly to room temperature to avoid condensation.
-

Physical Specifications

Table 1 Physical Specifications

| Type | Specification | Comments |
|--|--|-------------------------|
| Weight | 14.5 kg (32 lbs) | |
| Dimensions (height × width × depth) | 180 x 345 x 435 mm (7.0 x 13.5 x 17 inches) | |
| Line voltage | 100 – 240 VAC, ± 10 % | Wide-ranging capability |
| Line frequency | 50 or 60 Hz, ± 5 % | |
| Power consumption | 180 VA, 110W / 375 BTU | Maximum |
| Ambient operating temperature | 4–55 °C (39–131 °F) | |
| Ambient non-operating temperature | -40 – 70 °C (-40 – 158 °F) | |
| Humidity | < 95 % r.h. at 40 °C (104 °F) | Non-condensing |
| Operating altitude | Up to 2000 m (6562 ft) | |
| Non-operating altitude | Up to 4600 m (15091 ft) | For storing the module |
| Safety standards: IEC, CSA, UL | Installation category II, Pollution degree 2 | For indoor use only. |

Performance Specifications

Table 2 Performance Specification Agilent 1260 Infinity Quaternary Pump VL (G1311C)

| Type | Specification |
|------------------------------|---|
| Hydraulic system | Dual piston in series pump with servo-controlled variable stroke drive, power transmission by gears and ball screws, floating pistons |
| Settable flow range | Set points 0.001 – 10 mL/min, in 0.001 mL/min increments |
| Flow range | 0.2 – 10.0 mL/min |
| Flow precision | ≤0.07 % RSD, or ≤ 0.02 min SD whatever is greater, based on retention time at constant room temperature |
| Flow accuracy | ± 1 % or 10 µL/min whatever is greater, pumping degassed H ₂ O at 10 MPa (100 bar) |
| Pressure operating range | Operating range up to 40 MPa (400 bar, 5880 psi) up to 5 mL/min Operating range up to 20 MPa (200 bar, 2950 psi) up to 10 mL/min |
| Pressure pulsation | < 2 % amplitude (typically < 1.0 %), or < 0.3 MPa (3 bar, 44 psi), whatever is greater, at 1 mL/min isopropanol, at all pressures > 1 MPa (10 bar, 145 psi) |
| Compressibility compensation | User-selectable, based on mobile phase compressibility |
| Recommended pH range | 1.0 – 12.5, solvents with pH < 2.3 should not contain acids which attack stainless steel |
| Gradient formation | Low pressure quaternary mixing/gradient capability using proprietary high-speed proportioning valve |
| Delay volume | 600 – 900 µL, dependent on back pressure; measured with water at 1 mL/min (water/caffeine tracer) |
| Composition range | 0 – 95 % or 5 – 100 %, user selectable |
| Composition precision | < 0.2 % RSD or <0.04 min SD, whatever is greater, at 1 mL/min; based on retention time at constant room temperature |
| Integrated degassing unit | Number of channels: 4 Internal volume per channel: 1.5 mL |

Table 2 Performance Specification Agilent 1260 Infinity Quaternary Pump VL (G1311C)

| | |
|------------------------|--|
| Control | Agilent control software (e.g. ChemStation, EZChrom, OL, MassHunter) |
| Local control | Agilent Instant Pilot |
| Analog output | For pressure monitoring, 2 mV/bar, one output |
| Communications | Controller-area network (CAN), RS-232C, APG Remote: ready, start, stop and shut-down signals, LAN optional |
| Safety and maintenance | Extensive diagnostics, error detection and display through Agilent LabAdvisor, leak detection, safe leak handling, leak output signal for shutdown of the pumping system. Low voltage in major maintenance areas. |
| GLP features | Early maintenance feedback (EMF) for continuous tracking of instrument usage in terms of seal wear and volume of pumped mobile phase with pre-defined and user settable limits and feedback messages. Electronic records of maintenance and errors |
| Housing | All materials are recyclable |

2 Site Requirements and Specifications

Performance Specifications



3 Installing the Pump

| | |
|---|----|
| Unpacking the Pump | 28 |
| Delivery Checklist | 29 |
| Accessory Kit | 31 |
| Optimizing the Stack Configuration | 32 |
| One Stack Configuration | 32 |
| Installation Information on Leak and Waste Handling | 35 |
| Installing the Pump | 39 |
| Connecting Modules and Control Software | 42 |
| Connecting Modules | 42 |
| Connecting Control Software and/or G4208A Instant Pilot | 43 |
| Flow Connections of the Pump | 44 |
| Priming the System | 47 |
| Initial Priming | 47 |
| Regular Priming | 49 |
| Changing Solvents | 50 |

This chapter gives information about the preferred stack setup for your system and the installation of your module.



Unpacking the Pump

If the delivery packaging shows signs of external damage, please call your Agilent Technologies sales and service office immediately. Inform your service representative that the instrument may have been damaged during shipment.

CAUTION

"Defective on arrival" problems

If there are signs of damage, please do not attempt to install the module. Inspection by Agilent is required to evaluate if the instrument is in good condition or damaged.

- Notify your Agilent sales and service office about the damage.
 - An Agilent service representative will inspect the instrument at your site and initiate appropriate actions.
-

Delivery Checklist

General

Ensure all parts and materials have been delivered with the pump. For checking the completeness of your specific shipment, please use the list included in your shipment. To aid in parts identification, please refer to chapter *Parts and Materials for Maintenance*. Please report missing or damaged parts to your local Agilent Technologies sales and service office.

G1311C Quaternary Pump VL Delivery Checklist

| p/n | Description |
|------------------|---|
| G1311C | Agilent 1260 Infinity Quaternary Pump VL |
| G1311-60003 (4x) | Bottle-head assembly |
| G1311-90310 | Agilent 1260 Infinity Quaternary LC VL System Manual and Quick Reference not orderable |
| G4203-68708 | HPLC System Tool Kit (OPTIONAL) |
| 959961-902 | Column Eclipse Plus C18, 4.6 x 100 mm, 3.5 µm (OPTIONAL) |
| 699975-902 | Column Poroshell 120 EC-C18, 4.6 x 50 mm, 2.7 µm (OPTIONAL) |
| 883975-902 | Column SB-C18, 4.6 x 150 mm, 5 µm (OPTIONAL) |
| G4201-68707 | HPLC Starter Kit incl. 0.17 mm i.d. cap (OPTIONAL) |
| G4202-68707 | HPLC Starter Kit incl. 0.12 mm i.d. cap (OPTIONAL) |
| G1369C | Interface board (LAN) (OPTIONAL) |
| G4800-64500 | Agilent 1200 Infinity Series User Documentation DVD (OPTIONAL) not orderable (OPTIONAL) |
| 5067-4770 | Solvent Cabinet Kit (OPTIONAL) |
| M8500A | Lab Advisor incl. license (OPTIONAL) Power cord |

NOTE

Items identified as "optional" are additional accessories. They are not included in the standard scope of delivery.

NOTE

Items identified as "not orderable" can be downloaded from the Agilent website <http://www.agilent.com>.

NOTE

Either one of the three columns listed will be part of the delivery (as ordered).

Accessory Kit

The Accessory Kit (G1311-68755) contains the following items:

| p/n | Description |
|-------------|--|
| 5062-2461 | Waste tube, 5 m (reorder pack) |
| 5063-6527 | Tubing assembly, i.d. 6 mm, o.d. 9 mm, 1.2 m (to waste) |
| 5181-1519 | CAN cable, Agilent module to module, 1 m |
| G1329-87300 | Capillary ST 0.17 mm x 900 mm S/S pump to thermostatted autosampler |
| G1312-87303 | Capillary ST 0.17 mm x 400 mm S/S pump to injector |
| 5042-9967 | Tubing clip (set of 5 clips) |

Optimizing the Stack Configuration

If your module is part of a complete Agilent 1260 Infinity Liquid Chromatograph, you can ensure optimum performance by installing the following configurations. These configurations optimize the system flow path, ensuring minimum delay volume.

One Stack Configuration

Ensure optimum performance by installing the modules of the Agilent 1260 Infinity LC System in the following configuration (see [Figure 5](#) on page 33 and [Figure 6](#) on page 34). This configuration optimizes the flow path for minimum delay volume and minimizes the bench space required.

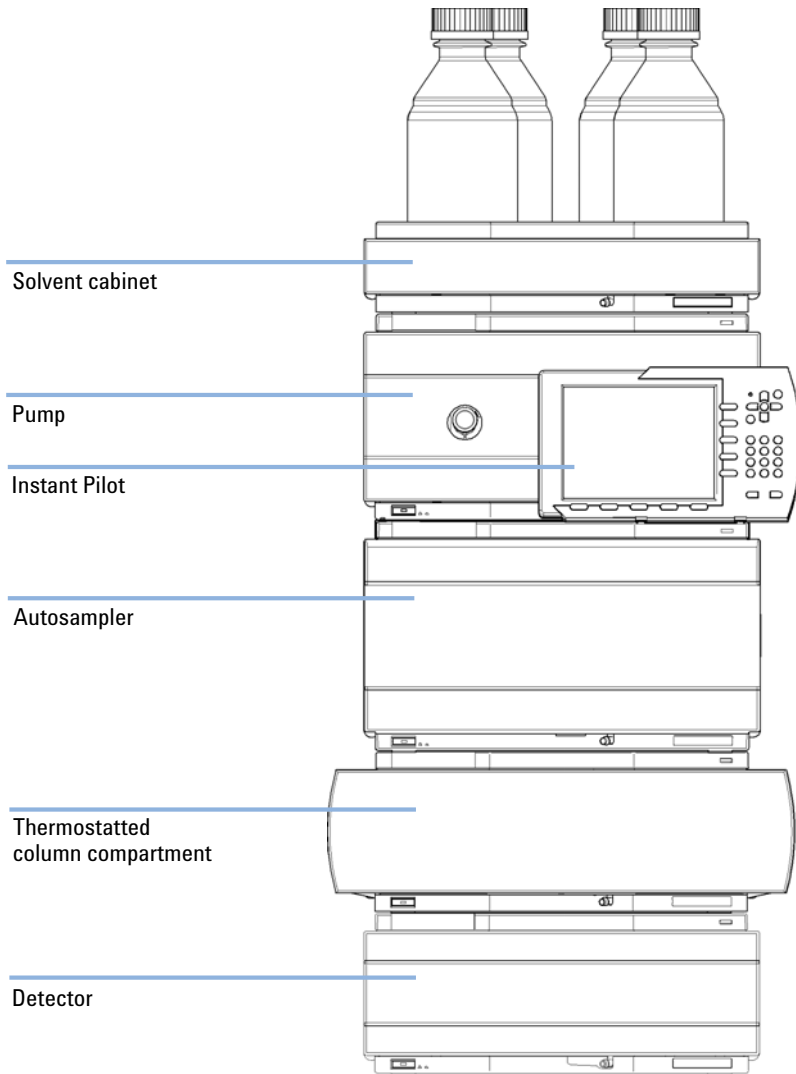


Figure 5 Recommended Stack Configuration for 1260 Infinity (Front View)

3 Installing the Pump

Optimizing the Stack Configuration

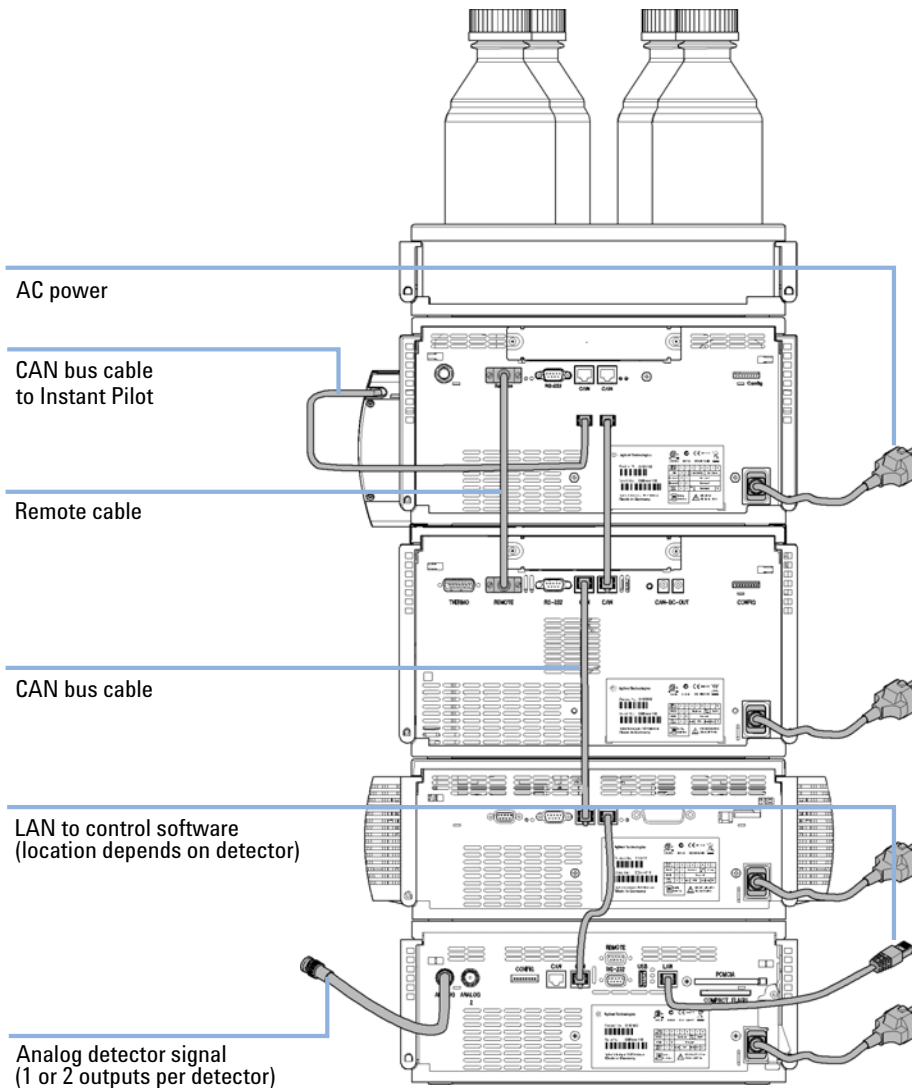


Figure 6 Recommended Stack Configuration for 1260 Infinity (Rear View)

Installation Information on Leak and Waste Handling

The Agilent 1200 Infinity Series has been designed for safe leak and waste handling. It is important that all security concepts are understood and instructions are carefully followed.

WARNING

Toxic, flammable and hazardous solvents, samples and reagents

The handling of solvents, samples and reagents can hold health and safety risks.

- When working with these substances observe appropriate safety procedures (for example by wearing goggles, safety gloves and protective clothing) as described in the material handling and safety data sheet supplied by the vendor, and follow good laboratory practice.
- The volume of substances should be reduced to the minimum required for the analysis.
- Never exceed the maximal permissible volume of solvents (6 L) in the solvent cabinet.
- Do not use bottles that exceed the maximum permissible volume as specified in the usage guideline for the Agilent 1200 Infinity Series Solvent Cabinets.
- Arrange the bottles as specified in the usage guideline for the solvent cabinet.
- A printed copy of the guideline has been shipped with the solvent cabinet, electronic copies are available on the Internet.

NOTE

Recommendations for Solvent Cabinet

For details, see the usage guideline for the Agilent 1200 Infinity Series Solvent Cabinets.

3 Installing the Pump

Installation Information on Leak and Waste Handling

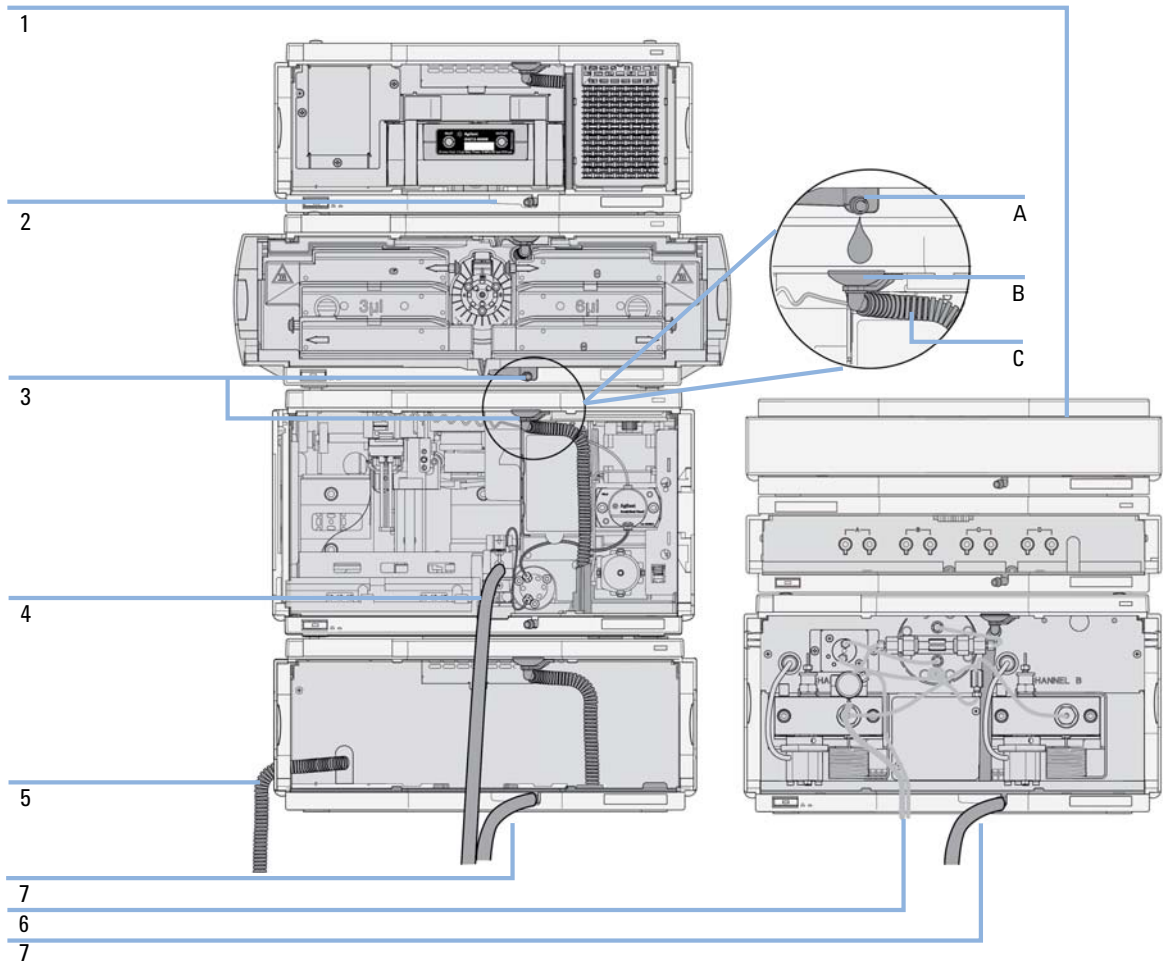


Figure 7 Leak and waste handling (overview - typical stack configuration as an example)

| | |
|---|---|
| 1 | Solvent cabinet |
| 2 | Leak pan |
| 3 | Leak pan's outlet port (A), leak funnel (B) and corrugated waste tube (C) |
| 4 | Waste tube of the sampler's needle wash |
| 5 | Condense drain outlet of the autosampler cooler |
| 6 | Waste tube of the purge valve |
| 7 | Waste tube |

- Stack the modules according to the adequate stack configuration.
The leak pan outlet of the upper module must be vertically positioned above the leak tray of the lower module, see [Figure 7](#) on page 36.
- Connect data and power cables to the modules, see section *Installing the Module* below.
- Connect capillaries and tubes to the modules, see section *Flow Connections to the module* below or the relevant system manual.

WARNING**Toxic, flammable and hazardous solvents, samples and reagents**

- Keep solvent path free from blockages.
- Keep the flow path closed (in case the pump in the system is equipped with a passive inlet valve, solvent may leak out due to hydrostatic pressure, even if your instrument is off).
- Avoid loops.
- Tubes must not sag.
- Do not bend tubes.
- Do not immerse tube end in waste liquid.
- Do not intubate tubes in other tubes.
- For correct tubing follow instructions on label attached to the module.

3 Installing the Pump

Installation Information on Leak and Waste Handling



Figure 8 Warning label (illustration for correct waste tubing)

Installing the Pump

| Parts required | # | p/n | Description |
|----------------|---|--------|--------------------|
| | 1 | | Pump |
| | 1 | | Data System and/or |
| | 1 | G4208A | Instant Pilot |
| | 1 | | Power cord |

For other cables see text below and “[Cable Overview](#)” on page 180.

- Preparations**
- Locate bench space.
 - Provide power connections.
 - Unpack the module.

WARNING

Module is partially energized when switched off, as long as the power cord is plugged in.

Repair work at the module can lead to personal injuries, e.g. shock hazard, when the cover is opened and the module is connected to power.

- Make sure that it is always possible to access the power plug.
- Remove the power cable from the instrument before opening the cover.
- Do not connect the power cable to the Instrument while the covers are removed.

CAUTION

"Defective on arrival" problems

If there are signs of damage, please do not attempt to install the module. Inspection by Agilent is required to evaluate if the instrument is in good condition or damaged.

- Notify your Agilent sales and service office about the damage.
- An Agilent service representative will inspect the instrument at your site and initiate appropriate actions.

3 Installing the Pump

Installing the Pump

- 1 Place the module on the bench in a horizontal position.
- 2 Ensure the power switch on the front of the module is OFF (switch stands out).

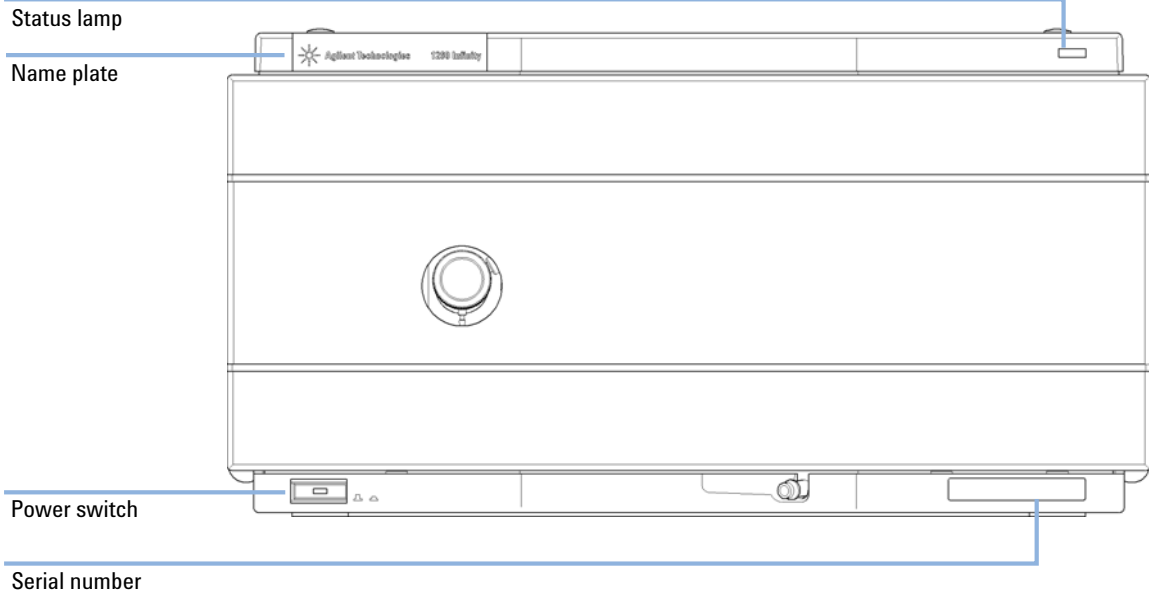
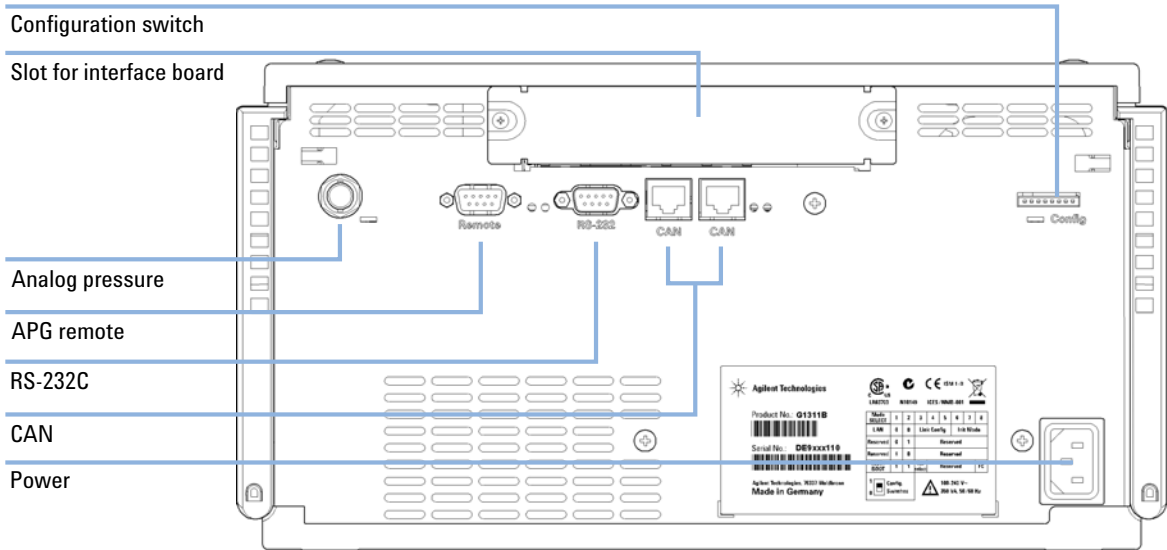


Figure 9 Front of Pump

- 3 Connect the power cable to the power connector at the rear of the module.

- 4 Connect the required interface cables to the quaternary pump, see “Connecting Modules and Control Software” on page 42.



- 5 Connect all capillaries, solvent tubes and waste tubing (see “Flow Connections of the Pump” on page 44).
- 6 Press the power switch to turn on the module.

NOTE

The power switch stays pressed in and a green indicator lamp in the power switch is on when the module is turned on. When the line power switch stands out and the green light is off, the module is turned off.

- 7 Purge the quaternary pump (see “Initial Priming” on page 47).

NOTE

The pump was shipped with default configuration settings. To change these settings, see “Setting the 8-bit Configuration Switch (without On-board) LAN” on page 211.

Connecting Modules and Control Software

WARNING

Use of unsupplied cables

Using cables not supplied by Agilent Technologies can lead to damage of the electronic components or personal injury.

- Never use cables other than the ones supplied by Agilent Technologies to ensure proper functionality and compliance with safety or EMC regulations.
-

Connecting Modules

- 1 Place the individual modules in a stack configuration as shown in [Figure 5](#) on page 33.
- 2 Ensure the power switches on the front of the modules are OFF (switches stand out).
- 3 Plug a CAN cable into the CAN connector at the rear of the respective module (except vacuum degasser).
- 4 Connect the CAN cable to the CAN connector of the next module, see [Figure 6](#) on page 34.
- 5 Press in the power switches to turn on the modules.

Connecting Control Software and/or G4208A Instant Pilot

NOTE

With the introduction of the Agilent 1260 Infinity, all GPIB interfaces have been removed. The preferred communication is LAN.

NOTE

Usually the detector is producing the most data in the stack, followed by the pump, and it is therefore highly recommended to use either of these modules for the LAN connection.

- 1 Ensure the power switches on the front of the modules in the stack are OFF (switches stand out).
- 2 If there are no other 1260 with LAN port in the HPLC stack, install a G1369B LAN board into the extension slot of the pump.
- 3 Connect the LAN enabled module with a LAN cable to the data system.
- 4 Plug the CAN connector of the Instant Pilot into any available CAN port of the 1260 system.
- 5 Plug a CAN cable into the CAN connector of the Instant Pilot.
- 6 Connect the CAN cable to the CAN connector of one of the modules.
- 7 Press in the power switches to turn on the modules.

NOTE

The Agilent control software can also be connected to the system through a LAN cable, which requires the installation of a LAN-board. For more information about connecting the Instant Pilot or Agilent control software refer to the respective user manual. ["Interfaces"](#) on page 204 provides information on how to connect external hardware.

Flow Connections of the Pump

| | | |
|-----------------------|------------|-----------------------------|
| Tools required | p/n | Description |
| | 8710-0510 | Wrench open 1/4 — 5/16 inch |

| | |
|-----------------------|-------------------------|
| Parts required | Description |
| | Other modules |
| | Parts from starter kits |

| | |
|---------------------|------------------------------------|
| Preparations | Pump is installed in the LC system |
|---------------------|------------------------------------|

WARNING

Toxic, flammable and hazardous solvents, samples and reagents

The handling of solvents, samples and reagents can hold health and safety risks.

- When working with these substances observe appropriate safety procedures (for example by wearing goggles, safety gloves and protective clothing) as described in the material handling and safety data sheet supplied by the vendor, and follow good laboratory practice.
 - The volume of substances should be reduced to the minimum required for the analysis.
 - Do not operate the instrument in an explosive atmosphere.
-

- 1 Remove the front cover by pressing the snap fasteners on both sides.

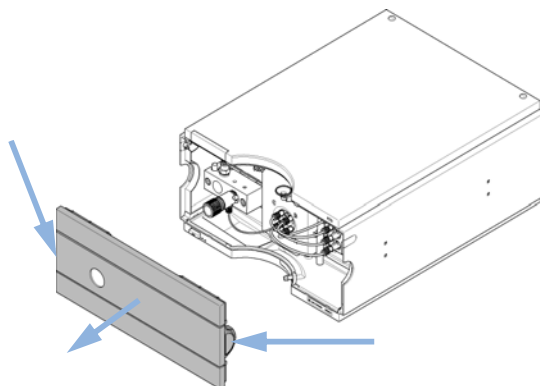


Figure 10 Removing the Front Cover

- 2 Place the solvent cabinet on top of the UHPLC stack.
- 3 Put the bottle-head assemblies into empty solvent reservoirs and place the bottle in the solvent cabinet.
- 4 Connect the inlet tubes from the bottle-head assemblies to the inlet connectors A to D at the right hand side of the vacuum degasser, see [Figure 11](#) on page 46. Fix the tubes in the tube clips of the pump.
- 5 Connect the solvent tubes from the MCGV inlet to the outlets of the vacuum degasser.
- 6 Using a piece of sanding paper connect the waste tubing to the purge valve and place it into your waste system.
- 7 If the pump is not part of an Agilent 1260 Infinity system stack or placed on the bottom of a stack, connect the waste tube to the waste outlet of the pump leak handling system.
- 8 Connect the pump outlet capillary (pump to injection device) to the outlet of the purge valve.
- 9 Fill solvent reservoirs with your mobile phase.

3 Installing the Pump

Flow Connections of the Pump

10 Prime your system before first use (see “Initial Priming” on page 47).

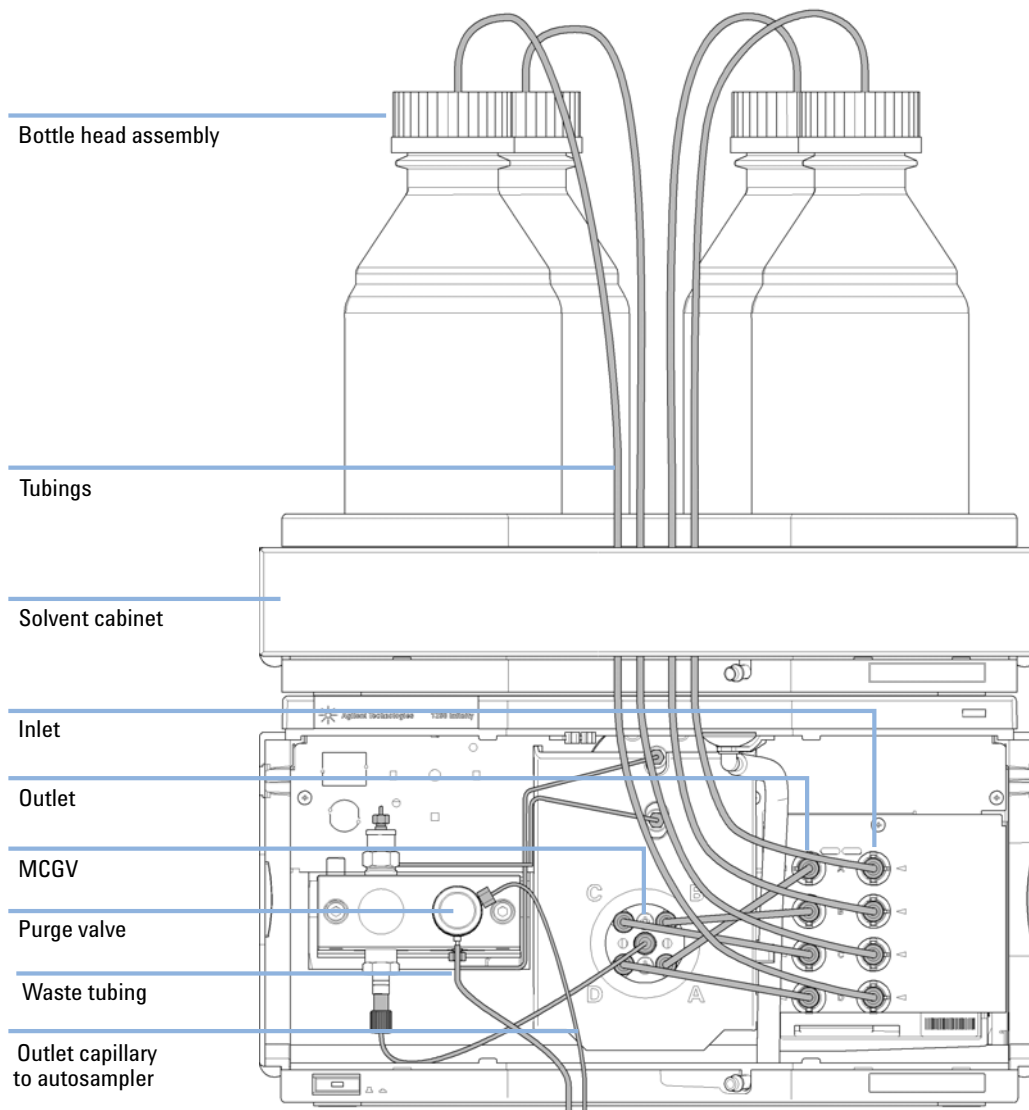


Figure 11 Flow Connections of the Quaternary Pump

Priming the System

Initial Priming

When Before a degasser or solvent tubing can be used, it is necessary to prime the system. Isopropanol is recommended as priming solvent due to its miscibility with nearly all HPLC solvents and its excellent wetting properties.

| Parts required | # | Description |
|-----------------------|----------|--------------------|
| | 1 | Isopropanol |

Preparations Connect all modules hydraulically as described in the respective module manuals.
Fill each solvent bottle with 100 mL isopropanol
Switch the system on

WARNING

When opening capillary or tube fittings, solvents may leak out.

The handling of toxic and hazardous solvents and reagents can carry health risks.

→ Observe appropriate safety procedures (for example, wear goggles, safety gloves and protective clothing) as described in the material handling and safety data sheet supplied by the solvent vendor, especially when toxic or hazardous solvents are used.

NOTE

The purge tool of the LabAdvisor or Instrument Utilities can be used to purge the pump automatically.

NOTE

If the pump is not able to aspirate the solvent from the bottles, use a syringe to draw the solvent manually through tubing and degasser.

3 Installing the Pump

Priming the System

NOTE

When priming the vacuum degasser with a syringe, the solvent is drawn through the degasser tubes very quickly. The solvent at the degasser outlet will therefore not be fully degassed. Pump for approximately 10 minutes at your desired flow rate before starting an analysis. This will allow the vacuum degasser to properly degas the solvent in the degasser tubes.

- 1 Open the purge valve of the pump
- 2 Set the flow rate to 5 mL/min.
- 3 Select channel A.
- 4 Turn the flow on
- 5 Observe if the solvent in the tubing of channel A is advancing towards the pump. If not, disconnect the solvent tubing from the MCGV, attach a syringe with a syringe adapter and pull the liquid through the degasser. Reattach the tubing to the MCGV.
- 6 Pump 30 mL isopropanol to remove residual air bubbles.
- 7 Switch to the next solvent channel and repeat steps 5 and 6 until all channels have been purged.
- 8 Turn the flow off and close the purge valve.

Regular Priming

When When the pumping system has been turned off for a certain time (for example, overnight) air will rediffuse into the solvent channel between the vacuum degasser and the pump. If solvents containing volatile components are left in the degasser without flow for a prolonged period, there will be a slight loss of the volatile components.

Preparations Switch the system on

NOTE

The purge tool of the Lab Advisor can be used for automatically purging the pump.

- 1 Open the purge valve of your pump by turning it counterclockwise and set the flow rate to 5 mL/min.
- 2 Flush the vacuum degasser and all tubes with at least 10 mL of solvent.
- 3 Repeat step 1 and 2 for the other channel(s) of the pump.
- 4 Set the required composition and flow rate for your application and close the purge valve.
- 5 Pump for approximately 10 minutes before starting your application.

Changing Solvents

When When the solvent of a channel is to be replaced by another solvent that is not compatible (solvents are immiscible or one solvent contains a buffer), it is necessary to follow the procedure below to prevent clogging of the pump by salt precipitation or residual liquid droplets in parts of the system.

| Parts required | # | p/n | Description |
|----------------|---|-----------|--|
| | 1 | | Purging solvent(s), see Table 3 on page 51 |
| | 1 | 5022-2184 | Union ZDV |

Preparations Remove the column and replace it by a ZDV fitting
Prepare bottles with appropriate intermediate solvents (see [Table 3](#) on page 51)

- 1 If the channel is not filled with buffer, proceed to step 4.
- 2 Place the solvent intake filter into a bottle of water.
- 3 Flush the channel at a flow rate suitable for the installed tubing (typically 3 – 5 mL/min) for 10 min.
- 4 Modify the flow path of your system as required for your application. For delay volume optimization, see the Binary LC System User Guide.

CAUTION

Buffer salt of aqueous buffers may precipitate in residual isopropanol.

Capillaries and filter may be clogged by precipitating salt.

- Flush solvent lines containing high concentration of salts first with water before introducing organic solvent.
- Do not perform steps 5 to 7 for channels running with aqueous buffer as solvent.

-
- 5 Replace the solvent bottle by a bottle of isopropanol.
 - 6 Flush the channel at a flow rate suitable for the installed tubing (typically 3 – 5 mL/min) for 5 min.
 - 7 Swap the bottle of isopropanol with a bottle of solvent for your application.
 - 8 Repeat steps 1 to 7 for the other channel(s) of the pump.
 - 9 Install the desired column, set the required composition and flow rate for your application and equilibrate the system for approx. 10 minutes prior to starting a run.

Table 3 Choice of Priming Solvents for Different Purposes

| Activity | Solvent | Comments |
|---|----------------------------|--|
| After an installation When switching between reverse phase and normal phase (both times) | Isopropanol Isopropanol | Best solvent to flush air out of the system Miscible with almost all solvents |
| After an installation | Ethanol or methanol | Alternative to isopropanol (second choice) if no isopropanol is available |
| To clean the system when using buffers | HPLC grade water | Best solvent to re-dissolve buffer crystals |
| After changing aqueous solvents | HPLC grade water | Best solvent to re-dissolve buffer crystals |
| After the installation of normal phase seals (PE seals (pack of 2) (0905-1420)) | Hexane + 5 % isopropanol | Good wetting properties |

3 **Installing the Pump** Priming the System



4 Using the Pump

| | |
|---|----|
| Leak and Waste Handling | 54 |
| Hints for Successful Use of the Pump | 55 |
| Setting up the Pump with the G4208A Instant Pilot | 56 |
| Setting up the Pump with the Instrument Control Interface | 57 |
| Overview | 57 |
| Instrument Configuration | 57 |
| The Pump User Interface (Dashboard Panel) | 59 |
| Control Settings | 61 |
| Method Parameter Settings | 62 |
| Solvent Information | 66 |
| Algae Growth in HPLC Systems | 72 |
| How to Prevent and-or Reduce the Algae Problem | 72 |
| Prevent Blocking of Solvent Filters | 73 |

This chapter provides information for optimized usage of the module.



Leak and Waste Handling

WARNING

Toxic, flammable and hazardous solvents, samples and reagents

The handling of solvents, samples and reagents can hold health and safety risks.

- When working with these substances observe appropriate safety procedures (for example by wearing goggles, safety gloves and protective clothing) as described in the material handling and safety data sheet supplied by the vendor, and follow good laboratory practice.
- The volume of substances should be reduced to the minimum required for the analysis.
- Do not operate the instrument in an explosive atmosphere.
- Never exceed the maximal permissible volume of solvents (6 L) in the solvent cabinet.
- Do not use bottles that exceed the maximum permissible volume as specified in the usage guideline for the Agilent 1200 Infinity Series Solvent Cabinets.
- Arrange the bottles as specified in the usage guideline for the solvent cabinet.
- A printed copy of the guideline has been shipped with the solvent cabinet, electronic copies are available on the Internet.
- The residual free volume in the appropriate waste container must be large enough to collect the waste liquid.
- Check the filling level of the waste container regularly.
- To achieve maximal safety, check the correct installation regularly.

NOTE

Recommendations for Solvent Cabinet

For details, see the usage guideline for the Agilent 1200 Infinity Series Solvent Cabinets.

For details on correct installation, see [“Installation Information on Leak and Waste Handling”](#) on page 35.

Hints for Successful Use of the Pump

- Always place the solvent cabinet with the solvent bottles on top of the quaternary pump (or at a higher level).
- When using salt solutions and organic solvents in the quaternary pump it is recommended to connect the salt solution to one of the bottom gradient valve ports and the organic solvent to one of the upper gradient valve ports. It is best to have the organic channel directly above the salt solution channel. Regular flushing of all MCGV channels with water is recommended to remove all possible salt deposits in the valve ports.
- Before operating the quaternary pump, flush the pump and vacuum degasser, see “[Regular Priming](#)” on page 49). This is especially recommended if it has been turned off for some time (for example, overnight) and volatile solvent mixtures are used in the channels.
- Prevent blocking of solvent inlet filters. Never use the pump without solvent inlet filter. Prevent the growth of algae, see “[Prevent Blocking of Solvent Filters](#)” on page 73).
- Regularly check the purge valve frit and column frit. A blocked purge valve frit can be identified by a black or yellow surface, deposits or by a pressure greater than 10 bar, when pumping distilled water at a rate of 5 mL/min with an open purge valve.
- When using the quaternary pump at low flow rates (for example, 0.2 mL/min) check all 1/16-inch fittings for any signs of leaks.
- Whenever exchanging the pump seals the purge valve frit should be exchanged, too.
- When using buffers or other salt solutions, flush the system with water before switching it off. The seal wash option should be used when salt concentrations of 0.1 M or higher will be used for long time periods.
- Check the pump pistons for scratches when changing the piston seals. Scratched pistons will cause micro leaks and will decrease the lifetime of the seal.
- Pressurize the system according to the wear in procedure after changing the piston seals (see “[Maintenance of a Pump Head Without Seal Wash Option](#)” on page 143).
- Consider recommendations given in the solvent information section, see “[Solvent Information](#)” on page 66.

4 Using the Pump

Setting up the Pump with the G4208A Instant Pilot

Setting up the Pump with the G4208A Instant Pilot

Generic operation of the G4208A Instant Pilot is covered in the Agilent Instant Pilot G4208A User's Guide (G4208-90006). Details about setting up module specific parameters can be found in the Instant Pilot online help.

The pump parameters are described in detail in [“Overview”](#) on page 57.

Setting up the Pump with the Instrument Control Interface

Overview

Parameters described in following sections is offered by the instrument control interface and can usually be accessed through Agilent instrument control software. For details, please refer to manuals and online help of respective user interfaces.

Instrument Configuration

Use the **Instrument Configuration** dialog box to examine and, if necessary, modify your instrument configuration. The **Configurable Modules** panel contains a list of all modules available for configuration. The **Selected Modules** panel contains the list of configured modules.

Auto Configuration: Under **Communication settings**, select either the **Host Name** option or the **IP address** option and enter the appropriate value for the host computer to enable automatic detection of the hardware configuration. The system configures the instrument automatically with no further manual configuration necessary.

The Quaternary Pump configuration parameters are in two sections:

- **Communication**
- **Options**

Communication: The parameters in this dialog box are detected automatically during autoconfiguration.

- **Device name,**
- **Type ID,**
- **Serial number,**
- **Firmware revision,**
- Button **Connection settings**

4 Using the Pump

Setting up the Pump with the Instrument Control Interface

Options:

- **Pressure Unit:**

select the pressure units from the drop-down list (bar, psi or MPa).

- **External contacts board installed:**

This check box is marked to indicate that a BCD/external contacts board has been detected during autoconfiguration.

- **Seal wash installed:**

This check box is marked to indicate that an optional seal wash has been detected during autoconfiguration.

Please refer to the online help of your user interface for more detailed information.

The Pump User Interface (Dashboard Panel)

Module Graphic

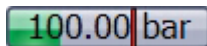
The items in the pump graphic have the following meaning and function:



Indicates that an External Contacts board is installed.



The level of solvent in the bottle is denoted by the green area; when the solvent level falls below the specified volume, the area turns yellow; when the bottle is empty, the area turns red. Clicking on the solvent bottle displays the **Bottle Fillings** dialog box. The tooltip for the bottle shows the solvent name.



The pressure setpoints. The red line shows the current maximum pressure limit; the green area shows the current pressure (also shown as text).

The current solvent flow rate (in mL/min) is displayed above the pressure display.

4 Using the Pump

Setting up the Pump with the Instrument Control Interface

Instrument Signals

The following pump signals are displayed:

Table 4 Pump signals (quaternary pump)

| | |
|------------------------|--|
| Flow | The current solvent flow rate (in mL/min). |
| Pressure | The current pump pressure (in bar, psi or MPa, see “ Instrument Configuration ” on page 57). |
| Tuning | Indicates the tuning efforts of 1290 Infinity pumps. For pumps operating as expected, the signal should stay in a range of -1 to +1 within the full scale of -2 to +2. |
| Pressure Limit | The current maximum pressure limit. |
| Composition A:B | The contributions of channels A and B to the current solvent composition. |
| Composition C:D | The contributions of channels C and D to the current solvent composition. |

Context Menu

The context menu of the dashboard panel contains the following commands:



Control

Displays the pump's **Control** dialog box.



Method

Displays the pump's **Method Setup** dialog box.

Set Error Method

Sets the method that is loaded if an error occurs to the method that is currently available in the hardware.

Identify Device

Causes the LED on the front of the module to blink for a few seconds.



Switch Pump On/Off

Toggles the status of the pump, on or off.

Bottle Fillings

Displays the **Bottle Fillings** dialog box.

Control Settings

The pump control parameters are in three sections:

- **Pump**
- **Seal Wash**
- **Automatic Turn On**

Table 5 Pump control parameters

| Parameter | Limits | Description |
|--------------------------|--------|--|
| Pump | | Enables you to switch the pump On , Off or to a Standby condition. In the Standby condition, the pump motor is still active, and when the pump is switched on again, does not need to be re-initialized. |
| Seal Wash | | <p>The seal wash can be set up to be run once (Single wash) or periodically (Periodic).</p> <ul style="list-style-type: none"> • Off: no seal wash is used. • Single wash: the seal will be purged for a specified time. • Periodic: a periodic wash will be applied for a defined period in minutes. <p>The option is available only when the pump has seal wash capability. The seal wash capability is detected by the module itself. If seal wash is installed, it is recommended to use it in order to increase the primary seal lifetime.</p> |
| Automatic Turn On | | Module can be turned on at a specified date/time. This feature can only be used if the module power switch is turned on. |

Method Parameter Settings

The pump method setup parameters are in eight sections:

- **Flow**
- **Solvent(s)**
- **Stoptime**
- **Posttime**
- **Pressure Limits**
- **Timetable**
- **Advanced**
- **External Contacts**

Table 6 Method parameters

| Parameter | Limits | Description |
|-------------------|--|---|
| Flow | ≤200 bar: 0.0 – 10.00 mL/min in steps of 0.001 > 200 bar: 0.0 – 5.00 mL/min in steps of 0.001 . | The flow is the rate of movement of eluent along the column. It is important that the flow rate is kept constant to ensure precise retention time, and peak measurements. Variations in flow rate can occur as a result of the partial failure of the pumping system, air in the pumping system, a change in the mobile phase viscosity or a temperature change. |
| Solvent(s) | | You can set the percentages of solvents B, C and D to any value from 0 through 100 %. Solvent A always delivers the remaining volume: 100 - (%B + %C + %D). The check boxes allows you to turn the solvent channels on (checked) or off (cleared). The text boxes allow you to type a brief description of each of the solvents. |
| Stoptime | 0.01 – 99999 minor As Injector/No Limit (an infinite run time). | The stoptime sets a time limit for your analysis. After the stoptime, all gradients are stopped and the pump parameters return to their initial values. The pump can be used as a stoptime master for the complete analytical system. The pump also stops the detectors if they have a No Limit stoptime setting. If no limit is given, a method will have to be stopped manually. |
| Posttime | 0.01 – 99999 minor Off (0.0 min). | Your instrument remains in a not ready state during the posttime to delay the start of the next analysis. You can use the Posttime to allow your column to equilibrate after changes in solvent composition (for example after gradient elution). |

Table 6 Method parameters

| Parameter | Limits | Description |
|--------------------------|--|---|
| Pressure Limits | <p>Max: 600 bar (8700 psi) for flow rates up to 5 mL/min. 200 bar (2900 psi) for flow rates > 5 mL/min.</p> <p>Min: any value between 0 and the upper pressure limit setting.</p> | <p>Sets the maximum and minimum pressure limits for the pump.</p> <ul style="list-style-type: none"> • Max is the maximum pressure limit at which the pump will switch itself off, protecting the analytical system against over-pressure. • Min is the minimum limit at which the pump will switch itself off, for example, if any solvent reservoir is empty, this prevents system damage by pumping air. |
| Timetable | | See “ Timetable Settings ” on page 65 |
| Advanced | | See “ Advanced Settings ” on page 64 |
| External Contacts | | <p>The External Contacts section enables you to set up the switching of the external contacts.</p> <div style="background-color: #cccccc; padding: 5px; text-align: center; margin: 10px 0;">NOTE</div> <p>The External Contacts section is present only when a BCD/external contacts board is installed.</p> |

4 Using the Pump

Setting up the Pump with the Instrument Control Interface

Advanced Settings

The pump advanced method setup parameters are in four sections:

- **Minimum Stroke**
- **Compressibility**
- **Maximum Flow Gradient**
- **Primary Channel**

Table 7 Advanced method parameters

| Parameter | Limits | Description |
|------------------------------|--|--|
| Minimum Stroke | 20 – 100 μ L | The Stroke Volume is used for optimizing between performance of the module and seal life time. For performance a low stroke volume is beneficial, as it divides disturbances into smaller packages, but a larger volume is extending the life time of the pump seals. If Automatic is activated, the pump tries to achieve an optimized stroke volume for the Jet Weaver geometry. |
| Compressibility | $0 \cdot 10^{-6}$ – $150 \cdot 10^{-6}$. Default compressibility value: $100 \cdot 10^{-6}$ | The compressibility of the mobile phase has an effect on the performance of the pump. For best flow accuracy and mixing performance, you can set the parameter according to the mobile phase being used. |
| Maximum Flow Gradient | 0.1 – 100 mL/min/min Default value: 100 mL/min/min | You can set a limit on the rate of change of the solvent flow to protect your analytical column. |
| Primary Channel | | Using Automatic is recommended. The primary channel can be specified as A to D for optimizing highly specific methods. It is split up to deliver the first and last solvent package created by the MCGV in order to optimize composition precision. The primary channel does not change during a gradient, as long as the channel is used. Using Automatic chooses the channel with the highest percentage at start conditions before a gradient. |

Timetable Settings

Use the **Timetable** to program changes in the pump parameters during the analysis by entering a time in the **Time** field and appropriate values in the following fields of the timetable. Changes in flow rate occur linearly from either time zero or the time of the last defined change; other parameters change instantaneously at the time defined in the timetable.

Show **Advanced Timetable** toggles the timetable display between standard mode and advanced mode.

The following parameters can be changed:

- **Change Contacts**
- **Change Flow**
- **Change Max. Pressure Limit**
- **Change Solvent Composition** - You can only use solvents, which have been enabled in the solvents section.
- **Function centric view** - This checkbox allows you displaying parameter changes instead of a time table.

Solvent Information

Observe the following recommendations on the use of solvents.

- Follow recommendations for avoiding the growth of algae, see [“Algae Growth in HPLC Systems”](#) on page 72
- Small particles can permanently block capillaries and valves. Therefore, always filter solvents through 0.4 µm filters.
- Avoid or minimize the use of solvents that may corrode parts in the flow path. Consider specifications for the pH range given for different materials like flow cells, valve materials etc. and recommendations in subsequent sections.

Materials in Flow Path

Following materials are used in the flow path of this module:

Table 8 Materials in flow path

| Part | Materials |
|-------------------------|--|
| Degasser chamber | TFE/PDD Copolymer, PFA (internal tubings), PEEK (inlets), FEP (tubings), ETFE (fittings) |
| MCGV | SST, PTFE |
| Passive inlet valve | SST, gold, sapphire, ruby, ceramic, PTFE |
| Outlet valve | SST, gold, ruby, ZrO ₂ -based ceramic, tantalum |
| Adapter | SST, gold |
| Pump head (body) | SST |
| Pistons | Sapphire |
| Piston seals/wash seals | PTFE, SST (reversed phase) or UHMW-PE, SST (normal phase) |
| Pressure sensor | SST |
| Purge valve | SST, gold, PTFE, ceramic |
| Damping unit | SST, gold |
| Capillaries/fittings | SST |
| Tubings | PTFE |

Material Information

Materials in the flow path are carefully selected based on Agilent's experiences in developing highest quality instruments for HPLC analysis over several decades. These materials exhibit excellent robustness under typical HPLC conditions. For any special conditions, please consult the material information section or contact Agilent.

Disclaimer

Subsequent data were collected from external resources and are meant as a reference. Agilent cannot guarantee the correctness and completeness of such information. Data is based on compatibility libraries, which are not specific for estimating the long-term life time under specific but highly variable conditions of UHPLC systems, solvents, solvent mixtures and samples. Information can also not be generalized due to catalytic effects of impurities like metal ions, complexing agents, oxygen etc. Apart from pure chemical corrosion, other effects like electro corrosion, electrostatic charging (especially for non-conductive organic solvents), swelling of polymer parts etc. need to be considered. Most data available refers to room temperature (typically 20 – 25 °C, 68 – 77 °F). If corrosion is possible, it usually accelerates at higher temperatures. If in doubt, please consult technical literature on chemical compatibility of materials.

PEEK

PEEK (Polyether-Ether Ketones) combines excellent properties regarding biocompatibility, chemical resistance, mechanical and thermal stability. PEEK is therefore the material of choice for UHPLC and biochemical instrumentation.

It is stable in a wide pH range, and inert to many common solvents.

There is still a number of known incompatibilities with chemicals such as chloroform, methylene chloride, THF, DMSO, strong acids (nitric acid > 10 %, sulphuric acid > 10 %, sulfonic acids, trichloroacetic acid), halogenes or aqueous halogene solutions, phenol and derivatives (cresols, salicylic acid etc.).

Polyimide

Agilent uses semi-crystalline polyimide for rotor seals in valves and needle seats in autosamplers. One supplier of polyimide is DuPont, which brands polyimide as Vespel, which is also used by Agilent.

Polyimide is stable in a pH range between 1 and 10 and in most organic solvents. It is incompatible with concentrated mineral acids (e.g. sulphuric acid), glacial acetic acid, DMSO and THF. It is also degraded by nucleophilic substances like ammonia (e.g. ammonium salts in basic conditions) or acetates.

Polyethylene (PE)

Agilent uses UHMW (ultra-high molecular weight)-PE/PTFE blends for yellow piston and wash seals, which are used in 1290 Infinity pumps and for normal phase applications in 1260 Infinity pumps.

Polyethylene has a good stability for most common inorganic solvents including acids and bases in a pH range of 1 to 12.5 . It is compatible to many organic solvents used in chromatographic systems like methanol, acetonitrile and isopropanol. It has limited stability with aliphatic, aromatic and halogenated hydrocarbons, THF, phenol and derivatives, concentrated acids and bases. For normal phase applications, the maximum pressure should be limited to 200 bar.

Tantalum (Ta)

Tantalum is inert to most common HPLC solvents and almost all acids except fluoric acid and acids with free sulfur trioxide. It can be corroded by strong bases (e.g. hydroxide solutions > 10 %, diethylamine). It is not recommended for the use with fluoric acid and fluorides.

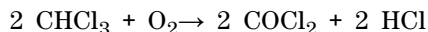
Stainless Steel (ST)

Stainless steel is inert against many common solvents. It is stable in the presence of acids and bases in a pH range of 1 to 12.5 . It can be corroded by acids below pH 2.3 . It can also corrode in following solvents:

- Solutions of alkali halides, their respective acids (for example, lithium iodide, potassium chloride, and so on) and aqueous solutions of halogens.

4 Using the Pump Solvent Information

- High concentrations of inorganic acids like nitric acid, sulfuric acid and organic solvents especially at higher temperatures (replace, if your chromatography method allows, by phosphoric acid or phosphate buffer which are less corrosive against stainless steel).
- Halogenated solvents or mixtures which form radicals and/or acids, for example:



This reaction, in which stainless steel probably acts as a catalyst, occurs quickly with dried chloroform if the drying process removes the stabilizing alcohol.

- Chromatographic grade ethers, which can contain peroxides (for example, THF, dioxane, di-isopropylether). Such ethers should be filtered through dry aluminium oxide which adsorbs the peroxides.
- Solutions of organic acids (acetic acid, formic acid, and so on) in organic solvents. For example, a 1 % solution of acetic acid in methanol will attack steel.
- Solutions containing strong complexing agents (for example, EDTA, ethylene diamine tetra-acetic acid).
- Mixtures of carbon tetrachloride with 2-propanol or THF.

Diamond-Like Carbon (DLC)

Diamond-Like Carbon is inert to almost all common acids, bases and solvents. There are no documented incompatibilities for HPLC applications.

Fused silica and Quartz (SiO₂)

Fused silica is used in 1290 Infinity Flow Cells and capillaries. Quartz is used for classical flow cell windows. It is inert against all common solvents and acids except hydrofluoric acid and acidic solvents containing fluorides. It is corroded by strong bases and should not be used above pH 12 at room temperature. The corrosion of flow cell windows can negatively affect measurement results. For a pH greater than 12, the use of flow cells with sapphire windows is recommended.

Gold

Gold is inert to all common HPLC solvents, acids and bases within the specified pH range. It can be corroded by complexing cyanides and concentrated acids like aqua regia.

Zirconium Oxide (ZrO₂)

Zirconium Oxide is inert to almost all common acids, bases and solvents. There are no documented incompatibilities for HPLC applications.

Platinum/Iridium

Platinum/Iridium is inert to almost all common acids, bases and solvents. There are no documented incompatibilities for HPLC applications.

Fluorinated polymers (PTFE, PFA, FEP, FFKM)

Fluorinated polymers like PTFE (polytetrafluorethylene), PFA (perfluoroalkoxy) and FEP (fluorinated ethylene propylene) are inert to almost all common acids, bases, and solvents. FFKM is perfluorinated rubber, which is also resistant to most chemicals. As an elastomer, it may swell in some organic solvents like halogenated hydrocarbons.

TFE/PDD copolymer tubings, which are used in all Agilent degassers except G1322A, are not compatible with fluorinated solvents like Freon, Fluorinert, or Vertrel. They have limited life time in the presence of Hexafluoroisopropanol (HFIP). To ensure the longest possible life with HFIP, it is best to dedicate a particular chamber to this solvent, not to switch solvents, and not to let dry out the chamber. For optimizing the life of the pressure sensor, do not leave HFIP in the chamber when the unit is off.

Sapphire, Ruby and Al₂O₃-based ceramics

Sapphire, ruby and ceramics based on aluminum oxide Al₂O₃ are inert to almost all common acids, bases and solvents. There are no documented incompatibilities for HPLC applications.

Algae Growth in HPLC Systems

The presence of algae in HPLC systems can cause a variety of problems that may be incorrectly diagnosed as instrument or application problems. Algae grow in aqueous media, preferably in a pH range of 4-8. Their growth is accelerated by buffers, for example phosphate or acetate. Since algae grow through photosynthesis, light will also stimulate their growth. Even in distilled water small-sized algae grow after some time.

Instrumental Problems Associated With Algae

Algae deposit and grow everywhere within the HPLC system causing:

- Blocked solvent filters or deposits on inlet or outlet valves resulting in unstable flow, composition or gradient problems or a complete failure of the pump.
- Small pore high pressure solvent filters, usually placed before the injector to plug resulting in high system pressure.
- PTFE frits blockage leading to increased system pressure.
- Column filters to plug giving high system pressure.
- Flow cell windows of detectors to become dirty resulting in higher noise levels (since the detector is the last module in the flow path, this problem is less common).

How to Prevent and-or Reduce the Algae Problem

- Always use freshly prepared solvents, especially use demineralized water which was filtered through about 0.2 μm filters.
- Never leave mobile phase in the instrument for several days without flow.
- Always discard old mobile phase.
- Use the amber solvent bottle (Solvent bottle, amber (9301-1450)) supplied with the instrument for your aqueous mobile phase.
- If possible add a few mg/l sodium azide or a few percent organic solvent to the aqueous mobile phase.

Prevent Blocking of Solvent Filters

Contaminated solvents or algae growth in the solvent bottle will reduce the lifetime of the solvent filter and will influence the performance of the module. This is especially true for aqueous solvents or phosphate buffers (pH 4 to 7). The following suggestions will prolong lifetime of the solvent filter and will maintain the performance of the module.

- Use a sterile, if possible amber, solvent bottle to slow down algae growth.
- Filter solvents through filters or membranes that remove algae.
- Exchange solvents every two days or refilter.
- If the application permits add 0.0001 – 0.001 M sodium azide to the solvent.
- Place a layer of argon on top of your solvent.
- Avoid exposure of the solvent bottle to direct sunlight.

NOTE

Never use the system without solvent filter installed.

4 Using the Pump

Prevent Blocking of Solvent Filters



5 Optimizing Performance

Using the Degasser 76

Operational Hints for the Multi Channel Gradient Valve (MCGV) 77

When to use the Seal Wash Function 78

Choosing the Right Pump Seals 79

Optimize the Compressibility Compensation Setting 80

This chapter gives hints on how to optimize the performance or use additional devices.



Using the Degasser

The quaternary pump has a built-in degasser, which should always be included to the flow path.

Operational Hints for the Multi Channel Gradient Valve (MCGV)

In a mixture of salt solutions and organic solvent the salt solution might be well dissolved in the organic solvent without showing precipitations. However in the mixing point of the gradient valve, at the boundary between the two solvents, micro precipitation is possible. Gravity forces the salt particles to fall down. Normally the A channel of the valve is used for the aqueous/salt solution and the B channel of the pump is used for the organic solvent. If used in this configuration the salt will fall back into the aqueous solution and will be dissolved. When using the pump in a different configuration (e.g., D - salt solution, A - organic solvent) the salt can fall into the port of the organic solvent and may lead to performance problems.

NOTE

When using salt solutions and organic solvents it is recommended to connect the salt solution to one of the bottom ports of the MCGV and the organic solvent to one of the upper gradient valve ports. It is best to have the organic channel directly above the salt solution channel. Regular flushing with water of all MCGV channels is recommended to remove all possible salt deposits in the valve ports.

NOTE

Precipitations formed during the mixing of buffers and organic solvents which do not dissolve salts may cause a loss of pump performance (flow/retention time stability), a blockage or internal leak of the pump. Avoid the use of such solvent combinations, as they can cause irreproducible chromatographic results.

The use of an Inline filter (G1311-60006) can avoid or reduce such effects by filtering crystals and re-dissolving them over time.

When to use the Seal Wash Function

Highly concentrated buffer solutions will reduce the lifetime of the seals and pistons in your pump. The seal wash function allows to maintain the seal lifetime by flushing the back side of the seal with a wash solvent.

The seal wash function is strongly recommended when buffer concentrations of 0.1 M or higher will be used for long time periods in the pump.

The active seal wash upgrade can be ordered as G1398A.

The seal wash function comprises a support ring, secondary seal, gasket and seal holder for both piston sides. Place a wash bottle filled with 90 % water / 10 % isopropanol above the pump in the solvent cabinet. The peristaltic pump moves a flow through the pump head removing all possible buffer crystals from the back of the pump seal. This mixture prevents growth of algae or bacteria in the wash bottle and reduces the surface tension of the water.

Choosing the Right Pump Seals

The standard seal for the pump can be used for most applications. However applications that use normal phase solvents (for example, hexane) are not suited for the standard seal and require a different seal when used for a longer time in the pump.

For applications that use normal phase solvents (for example, hexane) we recommend using polyethylene pump seals (PE seals (pack of 2) (0905-1420)) and Wash Seal PE (0905-1718). For normal phase applications, these seals have less abrasion compared to the standard seals.

NOTE

Polyethylene seals have a limited pressure range of 0 – 200 bar. When used above 200 bar their lifetime is reduced significantly. *DO NOT* apply the seal wear-in procedure with PE seals.

Optimize the Compressibility Compensation Setting

The compressibility compensation default setting is 100×10^{-6} /bar for the pump. This setting represents an average value. Under normal conditions the default setting typically reduces the pressure pulsation to values below 1 % of system pressure that are sufficient for most applications and for all gradient analyses. The compressibility settings can be optimized by using the values for the various solvents described in [Table 9](#) on page 81. If the solvent in use is not listed in the compressibility tables, when using isocratic mixtures of solvents and if the default settings are not sufficient for your application the following procedure can be used to optimize the compressibility settings.

NOTE

When using mixtures of solvents it is not possible to calculate the compressibility of the mixture by interpolating the compressibility values of the pure solvents used in that mixture or by applying any other calculation. In these cases the following empirical procedure has to be applied to optimize your compressibility setting.

Inappropriate settings would mainly affect retention times of peaks eluted at the beginning of a gradient. Therefore optimize settings for the solvent at the beginning of the gradient. For mixtures containing up to 50 % water, use compressibility settings of water.

- 1 Start the pump with the required flow rate.
- 2 Before starting the optimization procedure, the flow must be stable. Check the tightness of the system with the pressure test.
- 3 Your pump must be connected to a data system or Instant Pilot with which the pressure and %-ripple can be monitored, or connect an external measurement device to the analog pressure output (see [“Electrical Connections”](#) on page 202)
- 4 Starting with a compressibility setting of $40 \cdot 10^{-6}$ /bar increase the value in steps of 10. Re-zero the signal display as required. The compressibility compensation setting that generates the smallest pressure ripple is the optimum value for your solvent composition. If ChemStation (classic view) is used and the ripple shown is positive, then the compressibility setting should be decreased. If it is negative, it should be increased.

Table 9 Solvent Compressibility

| Solvent (pure) | Compressibility ($1 \cdot 10^{-6}$ /bar) |
|-----------------------------------|--|
| Acetone | 126 |
| Acetonitrile | 115 |
| Benzene | 95 |
| Carbon tetrachloride ¹ | 110 |
| Chloroform ¹ | 100 |
| Cyclohexane | 118 |
| Ethanol | 114 |
| Ethyl acetate | 104 |
| Heptane | 120 |
| Hexane | 150 |
| Isobutanol | 100 |
| Isopropanol | 100 |
| Methanol | 120 |
| 1-Propanol | 100 |
| Toluene | 87 |
| Water | 46 |

¹ Please check section "*Solvent Information*" for compatibility to your specific LC system.

5 Optimizing Performance

Optimize the Compressibility Compensation Setting



6 Troubleshooting and Diagnostics

| | |
|--|----|
| Overview of the Module's Indicators and Test Functions | 84 |
| Status Indicators | 86 |
| Power Supply Indicator | 86 |
| Module Status Indicator | 87 |
| User Interfaces | 88 |
| Agilent Lab Advisor Software | 89 |

This chapter gives an overview about the troubleshooting and diagnostic features and the different user interfaces.



Overview of the Module's Indicators and Test Functions

Status Indicators

The module is provided with two status indicators which indicate the operational state (prerun, run, and error states) of the module. The status indicators provide a quick visual check of the operation of the module.

Error Messages

In the event of an electronic, mechanical or hydraulic failure, the module generates an error message in the user interface. For each message, a short description of the failure, a list of probable causes of the problem, and a list of suggested actions to fix the problem are provided (see chapter Error Information).

Test Functions

A series of test functions are available for troubleshooting and operational verification after exchanging internal components (see Tests and Calibrations).

System Pressure Test

The **System Pressure Test** is a quick test designed to determine the pressure tightness of the system (i.e. the high pressure flow path between pump and column). After exchanging flow path components (e.g. pump seals or injection seal), use this test to verify the system is pressure tight, see [“System Pressure Test”](#) on page 119.

Leak Rate Test

The **Leak Rate Test** is a diagnostic test designed to determine the pressure tightness of the pump components. When a problem with the pump is suspected, use this test to help troubleshoot the pump and its pumping performance, see [“Leak Rate Test”](#) on page 124.

Status Indicators

Two status indicators are located on the front of the module. The lower left indicates the power supply status, the upper right indicates the module status.

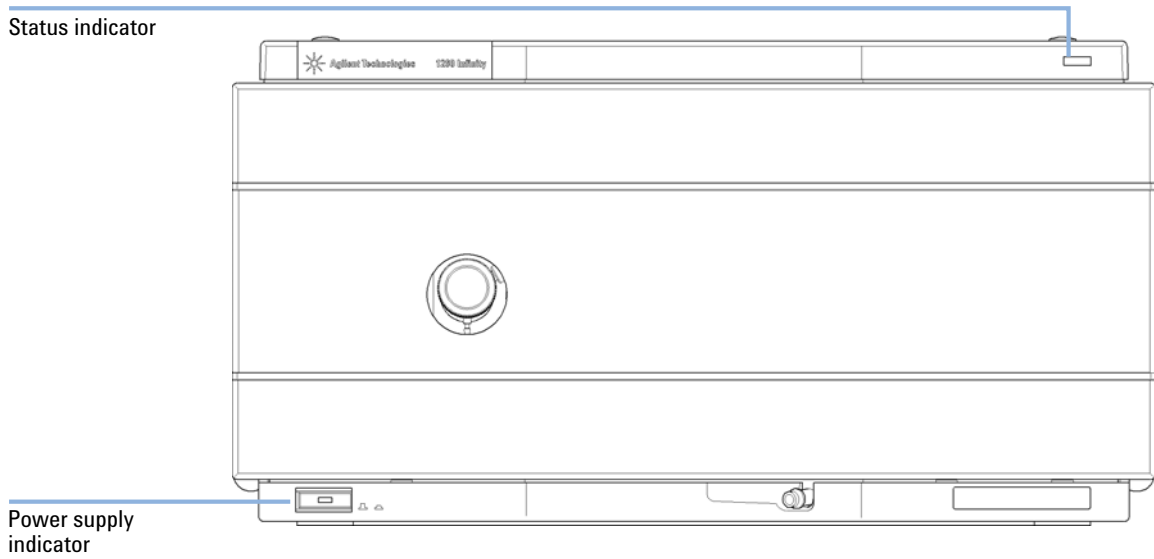


Figure 12 Location of Status Indicators

Power Supply Indicator

The power supply indicator is integrated into the main power switch. When the indicator is illuminated (*green*) the power is *ON*.

Module Status Indicator

The module status indicator indicates one of six possible module conditions:

- When the status indicator is *OFF* (and power switch light is on), the module is in a *prerun* condition, and is ready to begin an analysis.
- A *green* status indicator, indicates the module is performing an analysis (*run* mode).
- A *yellow* indicator indicates a *not-ready* condition. The module is in a not-ready state when it is waiting for a specific condition to be reached or completed (for example, immediately after changing a set point), or while a self-test procedure is running.
- An *error* condition is indicated when the status indicator is *red*. An error condition indicates the module has detected an internal problem which affects correct operation of the module. Usually, an error condition requires attention (e.g. leak, defective internal components). An error condition always interrupts the analysis.

If the error occurs during analysis, it is propagated within the LC system, i.e. a red LED may indicate a problem of a different module. Use the status display of your user interface for finding the root cause/module of the error.

- A *blinking* indicator indicates that the module is in resident mode (e.g. during update of main firmware).
- A *fast blinking* indicator indicates that the module is in a low-level error mode. In such a case try to re-boot the module or try a cold-start (see “[Special Settings](#)” on page 214. Then try a firmware update (see “[Replacing the Module Firmware](#)” on page 162). If this does not help, a main board replacement is required.

User Interfaces

Depending on the user interface, the available tests vary. Some descriptions are only available in the service manual.

Table 10 Test functions available vs. user interface

| Test | Instant Pilot G4208A | Agilent Lab Advisor |
|-----------------------------|----------------------|---------------------|
| System Pressure Test | Yes (B.02.11) | Yes (B.01.04) |
| Leak Rate Test | No | Yes (B.01.04. SP1) |

Agilent Lab Advisor Software

The Agilent Lab Advisor software is a standalone product that can be used with or without data system. Agilent Lab Advisor software helps to manage the lab for high quality chromatographic results and can monitor in real time a single Agilent LC or all the Agilent GCs and LCs configured on the lab intranet.

Agilent Lab Advisor software provides diagnostic capabilities for all Agilent 1200 Infinity Series modules. This includes diagnostic capabilities, calibration procedures and maintenance routines for all the maintenance routines.

The Agilent Lab Advisor software also allows users to monitor the status of their LC instruments. The Early Maintenance Feedback (EMF) feature helps to carry out preventive maintenance. In addition, users can generate a status report for each individual LC instrument. The tests and diagnostic features as provided by the Agilent Lab Advisor software may differ from the descriptions in this manual. For details refer to the Agilent Lab Advisor software help files.

The Instrument Utilities is a basic version of the Lab Advisor with limited functionality required for installation, use and maintenance. No advanced repair, troubleshooting and monitoring functionality is included.

6 Troubleshooting and Diagnostics
Agilent Lab Advisor Software



7 Error Information

| | |
|----------------------------|-----|
| What Are Error Messages | 93 |
| General Error Messages | 94 |
| Timeout | 94 |
| Shutdown | 95 |
| Remote Timeout | 96 |
| Lost CAN Partner | 97 |
| Leak | 98 |
| Leak Sensor Open | 99 |
| Leak Sensor Short | 99 |
| Compensation Sensor Open | 100 |
| Compensation Sensor Short | 100 |
| Fan Failed | 101 |
| Open Cover | 101 |
| Module Error Messages | 102 |
| Solvent Zero Counter | 102 |
| Pressure Above Upper Limit | 102 |
| Pressure Below Lower Limit | 103 |
| Pressure Signal Missing | 103 |
| Missing Pressure Reading | 104 |
| Wrong Pump Configuration | 104 |
| MCGV Fuse | 105 |
| AIV Fuse | 105 |
| Valve Failed (MCGV) | 106 |
| Motor-Drive Power | 107 |
| Inlet-Valve Missing | 108 |
| Temperature Out of Range | 108 |
| Temperature Limit Exceeded | 109 |
| Servo Restart Failed | 110 |



7 Error Information

Agilent Lab Advisor Software

| | |
|-----------------------------|-----|
| Pump Head Missing | 111 |
| Index Limit | 111 |
| Index Adjustment | 112 |
| Index Missing | 112 |
| Stroke Length | 113 |
| Initialization Failed | 113 |
| Wait Timeout | 114 |
| Degasser: signal fail | 115 |
| Degasser: limit not reached | 115 |

This chapter describes the meaning of error messages, and provides information on probable causes and suggested actions how to recover from error conditions.

What Are Error Messages

Error messages are displayed in the user interface when an electronic, mechanical, or hydraulic (flow path) failure occurs which requires attention before the analysis can be continued (for example, repair, or exchange of consumables is necessary). In the event of such a failure, the red status indicator at the front of the module is switched on, and an entry is written into the module logbook.

If an error occurs outside a method run, other modules will not be informed about this error. If it occurs within a method run, all connected modules will get a notification, all LEDs get red and the run will be stopped. Depending on the module type, this stop is implemented differently. For example, for a pump the flow will be stopped for safety reasons. For a detector, the lamp will stay on in order to avoid equilibration time. Depending on the error type, the next run can only be started, if the error has been resolved, for example liquid from a leak has been dried. Errors for presumably single time events can be recovered by switching on the system in the user interface.

Special handling is done in case of a leak. As a leak is a potential safety issue and may have occurred at a different module from where it has been observed, a leak always causes a shutdown of all modules, even outside a method run.

In all cases, error propagation is done via the CAN bus or via an APG remote cable (see documentation for the APG interface).

General Error Messages

General error messages are generic to all Agilent series HPLC modules and may show up on other modules as well.

Timeout

Error ID: 0062

The timeout threshold was exceeded.

Probable cause

- 1** The analysis was completed successfully, and the timeout function switched off the module as requested.
- 2** A not-ready condition was present during a sequence or multiple-injection run for a period longer than the timeout threshold.

Suggested actions

- Check the logbook for the occurrence and source of a not-ready condition. Restart the analysis where required.
- Check the logbook for the occurrence and source of a not-ready condition. Restart the analysis where required.

Shutdown

Error ID: 0063

An external instrument has generated a shutdown signal on the remote line.

The module continually monitors the remote input connectors for status signals. A LOW signal input on pin 4 of the remote connector generates the error message.

Probable cause

- 1** Leak detected in another module with a CAN connection to the system.
- 2** Leak detected in an external instrument with a remote connection to the system.
- 3** Shut-down in an external instrument with a remote connection to the system.
- 4** The degasser failed to generate sufficient vacuum for solvent degassing.

Suggested actions

- Fix the leak in the external instrument before restarting the module.
- Fix the leak in the external instrument before restarting the module.
- Check external instruments for a shut-down condition.
- Check the vacuum degasser for an error condition. Refer to the *Service Manual* for the degasser or the 1260 pump that has the degasser built-in.

Remote Timeout

Error ID: 0070

A not-ready condition is still present on the remote input. When an analysis is started, the system expects all not-ready conditions (for example, a not-ready condition during detector balance) to switch to run conditions within one minute of starting the analysis. If a not-ready condition is still present on the remote line after one minute the error message is generated.

Probable cause

- 1 Not-ready condition in one of the instruments connected to the remote line.
- 2 Defective remote cable.
- 3 Defective components in the instrument showing the not-ready condition.

Suggested actions

- Ensure the instrument showing the not-ready condition is installed correctly, and is set up correctly for analysis.
- Exchange the remote cable.
- Check the instrument for defects (refer to the instrument's documentation).

Lost CAN Partner

Error ID: 0071

During an analysis, the internal synchronization or communication between one or more of the modules in the system has failed.

The system processors continually monitor the system configuration. If one or more of the modules is no longer recognized as being connected to the system, the error message is generated.

Probable cause

- 1 CAN cable disconnected.
- 2 Defective CAN cable.
- 3 Defective main board in another module.

Suggested actions

- Ensure all the CAN cables are connected correctly.
- Ensure all CAN cables are installed correctly.

Exchange the CAN cable.

Switch off the system. Restart the system, and determine which module or modules are not recognized by the system.

Leak

Error ID: 0064

A leak was detected in the module.

The signals from the two temperature sensors (leak sensor and board-mounted temperature-compensation sensor) are used by the leak algorithm to determine whether a leak is present. When a leak occurs, the leak sensor is cooled by the solvent. This changes the resistance of the leak sensor which is sensed by the leak-sensor circuit on the main board.

| Probable cause | Suggested actions |
|--|--|
| 1 Loose fittings. | Ensure all fittings are tight. |
| 2 Broken capillary. | Exchange defective capillaries. |
| 3 Loose or leaking purge valve, inlet valve, or outlet valve. | Ensure pump components are seated correctly. If there are still signs of a leak, exchange the appropriate seal (purge valve, inlet valve, outlet valve). |
| 4 Defective pump seals. | Exchange the pump seals. |

Leak Sensor Open

Error ID: 0083

The leak sensor in the module has failed (open circuit).

The current through the leak sensor is dependent on temperature. A leak is detected when solvent cools the leak sensor, causing the leak-sensor current to change within defined limits. If the current falls outside the lower limit, the error message is generated.

| Probable cause | Suggested actions |
|---|---|
| 1 Leak sensor not connected to the main board. | Please contact your Agilent service representative. |
| 2 Defective leak sensor. | Please contact your Agilent service representative. |
| 3 Leak sensor incorrectly routed, being pinched by a metal component. | Please contact your Agilent service representative. |

Leak Sensor Short

Error ID: 0082

The leak sensor in the module has failed (short circuit).

The current through the leak sensor is dependent on temperature. A leak is detected when solvent cools the leak sensor, causing the leak sensor current to change within defined limits. If the current increases above the upper limit, the error message is generated.

| Probable cause | Suggested actions |
|---|---|
| 1 Defective leak sensor. | Please contact your Agilent service representative. |
| 2 Leak sensor incorrectly routed, being pinched by a metal component. | Please contact your Agilent service representative. |

Compensation Sensor Open

Error ID: 0081

The ambient-compensation sensor (NTC) on the main board in the module has failed (open circuit).

The resistance across the temperature compensation sensor (NTC) on the main board is dependent on ambient temperature. The change in resistance is used by the leak circuit to compensate for ambient temperature changes. If the resistance across the sensor increases above the upper limit, the error message is generated.

Probable cause

- 1 Defective main board.

Suggested actions

Please contact your Agilent service representative.

Compensation Sensor Short

Error ID: 0080

The ambient-compensation sensor (NTC) on the main board in the module has failed (open circuit).

The resistance across the temperature compensation sensor (NTC) on the main board is dependent on ambient temperature. The change in resistance is used by the leak circuit to compensate for ambient temperature changes. If the resistance across the sensor falls below the lower limit, the error message is generated.

Probable cause

- 1 Defective main board.

Suggested actions

Please contact your Agilent service representative.

Fan Failed

Error ID: 0068

The cooling fan in the module has failed.

The hall sensor on the fan shaft is used by the main board to monitor the fan speed. If the fan speed falls below a certain limit for a certain length of time, the error message is generated.

This limit is given by 2 revolutions/second for longer than 5 seconds.

Depending on the module, assemblies (e.g. the lamp in the detector) are turned off to assure that the module does not overheat inside.

| Probable cause | Suggested actions |
|--|---|
| 1 Fan cable disconnected. | Please contact your Agilent service representative. |
| 2 Defective fan. | Please contact your Agilent service representative. |
| 3 Defective main board. | Please contact your Agilent service representative. |
| 4 Improperly positioned cables or wires obstructing fan blades. | Please contact your Agilent service representative. |

Open Cover

Error ID: 0205

The top foam has been removed.

The sensor on the main board detects when the top foam is in place. If the foam is removed, the fan is switched off, and the error message is generated.

| Probable cause | Suggested actions |
|---|--|
| 1 The top foam was removed during operation. | Please contact your Agilent service representative. |
| 2 Foam not activating the sensor. | Please contact your Agilent service representative. |
| 3 Defective sensor or main board. | Please contact your Agilent service representative. |
| 4 Rear of the module is exposed to strong direct sunlight. | Ensure that the rear of module is not directly exposed to strong sunlight. |

Module Error Messages

These errors are pump specific.

Solvent Zero Counter

Error ID: 2055, 2524

Pump firmware version A.02.32 and higher allow to set solvent bottle fillings in the data system. If the volume level in the bottle falls below the specified value the error message appears when the feature is configured accordingly.

Probable cause

- 1 Volume in bottle below specified volume.
- 2 Incorrect setting.

Suggested actions

- Refill bottles and reset solvent counters.
- Make sure the limits are set correctly.

Pressure Above Upper Limit

Error ID: 2014, 2500

The system pressure has exceeded the upper pressure limit.

Probable cause

- 1 Upper pressure limit set too low.
- 2 Blockage in the flowpath (after the damper).
- 3 Defective damper.
- 4 Defective main board.

Suggested actions

- Ensure the upper pressure limit is set to a value suitable for the analysis.
- Check for blockage in the flowpath. The following components are particularly subject to blockage: inline filter frit, needle (autosampler), seat capillary (autosampler), sample loop (autosampler), column frits and capillaries with small internal diameters (e.g. 50 µm ID).
- Please contact your Agilent service representative.
- Please contact your Agilent service representative.

Pressure Below Lower Limit

Error ID: 2015, 2501

The system pressure has fallen below the lower pressure limit.

Probable cause

Suggested actions

- | | |
|---|--|
| 1 Lower pressure limit set too high. | Ensure the lower pressure limit is set to a value suitable for the analysis. |
| 2 Air bubbles in the mobile phase. | <ul style="list-style-type: none"> • Make sure that the degasser is in flow path and works correctly. Purge the module. • Ensure solvent inlet filters are not blocked. |
| 3 Leak. | <ul style="list-style-type: none"> • Inspect the pump head, capillaries and fittings for signs of a leak. • Purge the module. Run a pressure test to determine whether the seals or other module components are defective. |
| 4 Defective damper. | Please contact your Agilent service representative. |
| 5 Defective main board. | Please contact your Agilent service representative. |

Pressure Signal Missing

Error ID: 2016

The pressure signal of the damper is missing.

The pressure signal of the damper must be within a specific voltage range. If the pressure signal is missing, the processor detects a voltage of approximately -120 mV across the damper connector.

Probable cause

Suggested actions

- | | |
|-------------------------------|---|
| 1 Damper disconnected. | Please contact your Agilent service representative. |
| 2 Defective damper. | Please contact your Agilent service representative. |

Missing Pressure Reading

Error ID: 2054

The pressure readings read by the pump ADC (analog-digital converter) are missing.

The ADC reads the pressure signal of from the damper every 1ms. If the readings are missing for longer than 10 s, the error message is generated.

Probable cause

- 1 Damper disconnected.
- 2 Defective damper.
- 3 Defective main board.

Suggested actions

- Please contact your Agilent service representative.
- Please contact your Agilent service representative.
- Please contact your Agilent service representative.

Wrong Pump Configuration

Error ID: 2060

At switch-on, the quaternary pump has recognized a new pump configuration.

The quaternary pump is assigned its configuration at the factory. If the gradient valve is disconnected, and the quaternary pump is rebooted, the error message is generated. However, the pump will function as an isocratic pump in this configuration. The error message reappears after each switch-on.

Probable cause

- 1 Gradient valve disconnected.

Suggested actions

- Reconnect the gradient valve.

MCGV Fuse

Error ID: 2043

Valve Fuse 0: Channels A and B

Valve Fuse 1: Channels C and D

The gradient valve in the quaternary pump has drawn excessive current causing the electronic fuse to open.

Probable cause

- 1 Defective gradient valve.
- 2 Defective connection cable (front panel to main board).
- 3 Defective main board.

Suggested actions

- Restart the quaternary pump. If the error message appears again, exchange the gradient valve.
- Please contact your Agilent service representative.
- Please contact your Agilent service representative.

AIV Fuse

Error ID: 2044

The active-inlet valve in the module has drawn excessive current causing the inlet-valve electronic fuse to open.

Probable cause

- 1 Defective active inlet valve.
- 2 Defective connection cable (front panel to main board).
- 3 Defective main board.

Suggested actions

- Restart the module. If the error message appears again, exchange the active inlet valve.
- Please contact your Agilent service representative.
- Please contact your Agilent service representative.

Valve Failed (MCGV)

Error ID: 2040

Valve 0 Failed: valve A

Valve 1 Failed: valve B

Valve 2 Failed: valve C

Valve 3 Failed: valve D

One of the valves of the multi-channel gradient valve has failed to switch correctly.

The processor monitors the valve voltage before and after each switching cycle. If the voltages are outside expected limits, the error message is generated.

Probable cause

- 1** Gradient valve disconnected.
- 2** Connection cable (inside instrument) not connected.
- 3** Connection cable (inside instrument) defective.
- 4** Gradient valve defective.

Suggested actions

- Ensure the gradient valve is connected correctly.
- Please contact your Agilent service representative.
- Please contact your Agilent service representative.
- Exchange the gradient valve.

Motor-Drive Power

Error ID: 2041, 2042

The current drawn by the pump motor exceeded the maximum limit.

Blockages in the flow path are usually detected by the pressure sensor in the damper, which result in the pump switching off when the upper pressure limit is exceeded. If a blockage occurs before the damper, the pressure increase cannot be detected by the pressure sensor and the module will continue to pump. As pressure increases, the pump drive draws more current. When the current reaches the maximum limit, the module is switched off, and the error message is generated.

| Probable cause | Suggested actions |
|--|---|
| 1 Flow path blockage in front of the damper. | Ensure the capillaries and frits between the pump head and damper inlet are free from blockage. |
| 2 Blocked passive inlet valve. | Exchange the passive inlet valve. |
| 3 Blocked outlet valve. | Exchange the outlet valve. |
| 4 High friction (partial mechanical blockage) in the pump drive assembly. | Remove the pump-head assembly. Ensure there is no mechanical blockage of the pump-head assembly or pump drive assembly. |
| 5 Defective pump drive assembly. | Please contact your Agilent service representative. |
| 6 Defective main board. | Please contact your Agilent service representative. |

Inlet-Valve Missing

Error ID: 2048, 2052

The active-inlet valve in the module is missing or defective.

The processor checks the presence of the active-inlet valve connector every 2 s. If the connector is not detected by the processor, the error message is generated.

Probable cause

- 1 Disconnected or defective cable.
- 2 Disconnected or defective connection cable (front panel to main board).
- 3 Defective active inlet valve.

Suggested actions

- Ensure the pins of the active inlet valve connector are not damaged. Ensure the connector is seated securely.
- Please contact your Agilent service representative.
- Exchange the active inlet valve.

Temperature Out of Range

Error ID: 2517

The temperature sensor readings in the motor-drive circuit are out of range.

The values supplied to the ADC by the hybrid sensors must be between 0.5 V and 4.3 V. If the values are outside this range, the error message is generated.

Probable cause

- 1 Defective main board.

Suggested actions

- Please contact your Agilent service representative.

Temperature Limit Exceeded

Error ID: 2517

The temperature of one of the motor-drive circuits is too high.

The processor continually monitors the temperature of the drive circuits on the main board. If excessive current is being drawn for long periods, the temperature of the circuits increases. If the temperature exceeds the upper limit, the error message is generated.

Probable cause

Suggested actions

- | | |
|---|---|
| <p>1 High friction (partial mechanical blockage) in the pump drive assembly.</p> | Remove the pump-head assembly. Ensure there is no mechanical blockage of the pump-head assembly or pump drive assembly. |
| <p>2 Partial blockage of the flowpath in front of the damper.</p> | Ensure the outlet valve is not blocked. |
| <p>3 Defective pump drive assembly.</p> | Please contact your Agilent service representative. |
| <p>4 Defective main board.</p> | Please contact your Agilent service representative. |

Servo Restart Failed

Error ID: 2201, 2211

The pump motor in the module was unable to move into the correct position for restarting.

When the module is switched on, the first step is to switch on the C phase of the variable reluctance motor. The rotor should move to one of the C positions. The C position is required for the servo to be able to take control of the phase sequencing with the commutator. If the rotor is unable to move, or if the C position cannot be reached, the error message is generated.

Probable cause

- 1 Disconnected or defective cable.
- 2 Blocked passive inlet valve.
- 3 Mechanical blockage of the module.
- 4 Defective pump drive assembly.
- 5 Defective main board.

Suggested actions

- Please contact your Agilent service representative.
- Exchange the passive inlet valve.
- Remove the pump-head assembly. Ensure there is no mechanical blockage of the pump-head assembly or pump drive assembly.
- Please contact your Agilent service representative.
- Please contact your Agilent service representative.

Pump Head Missing

Error ID: 2202, 2212

The pump-head end stop in the pump was not found.

When the pump restarts, the metering drive moves forward to the mechanical end stop. Normally, the end stop is reached within 20 s, indicated by an increase in motor current. If the end point is not found within 20 s, the error message is generated.

| Probable cause | Suggested actions |
|--|--|
| <ol style="list-style-type: none"> 1 Pump head not installed correctly (screws not secured, or pump head not seated correctly). | <p>Install the pump head correctly. Ensure nothing (e.g. capillary) is trapped between the pump head and body.</p> |
| <ol style="list-style-type: none"> 2 Broken piston. | <p>Exchange the piston.</p> |

Index Limit

Error ID: 2203, 2213

The time required by the piston to reach the encoder index position was too short (pump).

During initialization, the first piston is moved to the mechanical stop. After reaching the mechanical stop, the piston reverses direction until the encoder index position is reached. If the index position is reached too fast, the error message is generated.

| Probable cause | Suggested actions |
|---|---|
| <ol style="list-style-type: none"> 1 Irregular or sticking drive movement. | <p>Remove the pump head, and examine the seals, pistons, and internal components for signs of wear, contamination or damage. Exchange components as required.</p> |
| <ol style="list-style-type: none"> 2 Defective pump drive assembly. | <p>Please contact your Agilent service representative.</p> |

Index Adjustment

Error ID: 2204, 2214

The encoder index position in the module is out of adjustment.

During initialization, the first piston is moved to the mechanical stop. After reaching the mechanical stop, the piston reverses direction until the encoder index position is reached. If the time to reach the index position is too long, the error message is generated.

Probable cause

- 1 Irregular or sticking drive movement.
- 2 Defective pump drive assembly.

Suggested actions

- Remove the pump head, and examine the seals, pistons, and internal components for signs of wear, contamination or damage. Exchange components as required.
- Please contact your Agilent service representative.

Index Missing

Error ID: 2205, 2215, 2505

The encoder index position in the module was not found during initialization.

During initialization, the first piston is moved to the mechanical stop. After reaching the mechanical stop, the piston reverses direction until the encoder index position is reached. If the index position is not recognized within a defined time, the error message is generated.

Probable cause

- 1 Disconnected or defective encoder cable.
- 2 Defective pump drive assembly.

Suggested actions

- Please contact your Agilent service representative.
- Please contact your Agilent service representative.

Stroke Length

Error ID: 2206, 2216

The distance between the lower piston position and the upper mechanical stop is out of limits (pump).

During initialization, the module monitors the drive current. If the piston reaches the upper mechanical stop position before expected, the motor current increases as the module attempts to drive the piston beyond the mechanical stop. This current increase causes the error message to be generated.

Probable cause

- 1 Defective pump drive assembly.

Suggested actions

Please contact your Agilent service representative.

Initialization Failed

Error ID: 2207, 2217

The module failed to initialize successfully within the maximum time window.

A maximum time is assigned for the complete pump-initialization cycle. If the time is exceeded before initialization is complete, the error message is generated.

Probable cause

- 1 Blocked passive inlet valve.
- 2 Defective pump drive assembly.
- 3 Defective main board.

Suggested actions

Exchange the passive inlet valve.

Please contact your Agilent service representative.

Please contact your Agilent service representative.

Wait Timeout

Error ID: 2053

When running certain tests in the diagnostics mode or other special applications, the pump must wait for the pistons to reach a specific position, or must wait for a certain pressure or flow to be reached. Each action or state must be completed within the timeout period, otherwise the error message is generated.

Possible Reasons for a Wait Timeout:

- Pressure not reached.
- Pump channel A did not reach the delivery phase.
- Pump channel B did not reach the delivery phase.
- Pump channel A did not reach the take-in phase.
- Pump channel B did not reach the take-in phase.
- Solvent volume not delivered within the specified time.

Probable cause

- 1** Purge valve open.
- 2** Leak at fittings, purge valve, active inlet valve, outlet valve or piston seals.
- 3** Flow changed after starting test.
- 4** Defective pump drive assembly.

Suggested actions

- Ensure that purge valve is closed.
- Ensure pump components are seated correctly. If there are still signs of a leak, exchange the appropriate seal (purge valve, active inlet valve, outlet valve, piston seal).
- Ensure correct operating condition for the special application in use.
- Please contact your Agilent service representative.

Degasser: signal fail

Error ID: 2243

The pump board gets no or wrong pressure signals from the built-in degasser.

Parameters:

- 0: ADC failure
- 1: ADC cannot convert pressure signal
- 2: Measured pressure out of range (negative or higher than 1021 hPa)

Probable cause

- 1 Degasser board defect, missing or not connected to the pump main board.
- 2 Degasser sensor defect or not connected to degasser board
- 3 If parameter is 0 and the LED on the degasser board blinks, it is probably because of a defect pump main board.

Suggested actions

- Please contact your Agilent service representative.
- Please contact your Agilent service representative.
- Please contact your Agilent service representative.

Degasser: limit not reached

Error ID: 2244

This error is thrown, if the degasser does not become ready after 8 min, i.e. is higher than 180 mbar.

Probable cause

- 1 Liquid in degasser tubing.
- 2 Leak in degasser tubing or chamber.
- 3 Degasser vacuum pump defect.

Suggested actions

- Please contact your Agilent service representative.
- Please contact your Agilent service representative.
- Please contact your Agilent service representative.

7 Error Information

Module Error Messages



8 Test Functions and Calibration

| | |
|--|-----|
| Introduction | 118 |
| System Pressure Test | 119 |
| Running the Test | 121 |
| Evaluating the Results | 122 |
| Potential Causes of System Pressure Test Failure | 123 |
| Leak Rate Test | 124 |
| Running the Test | 126 |
| Evaluating the Results | 126 |
| Potential Causes of Leak Rate Test Failure | 127 |

This chapter describes the tests for the module.



Introduction

Following tests are available in Lab Advisor for the Quaternary Pump G1311C:

- **System Pressure Test** (since Lab Advisor B.02.01)
- **Leak Rate Test** (since Lab Advisor B.01.04 SP 2)

System Pressure Test

Introduction

The **System Pressure Test** is used for checking the tightness of the LC system and identifying leaks between the pump and a position in the flow path following the pump blocked by a blank nut.

System requirements

Minimum software revisions:

- Lab Advisor B.01.04. SP1 (G1310B Isocratic Pump, G1311B Quaternary Pump, G5611A Bio-inert Quaternary Pump)
- Lab Advisor B.02.01 (G1311C Quaternary Pump VL)

Minimum firmware revision: A.06.34 for G5611A and A.06.33 for all other pumps.

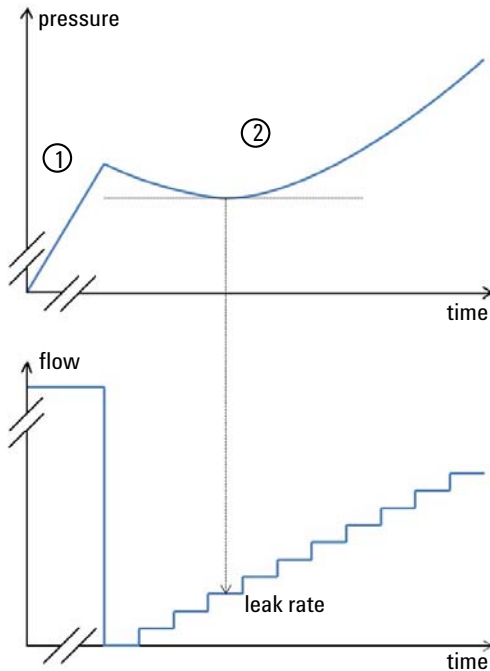
Test Principle

A solvent can be chosen from available solvent channels and a maximum pressure can be defined at which the test will be run. In contrast to older revisions of this test, any solvent can be used.

Before the test, the pump and system are flushed with solvent in order to remove air bubbles, as air bubbles are compressed during the test and therefore would appear as leaks. Using a degasser is highly recommended. Then the flow path is blocked by a blank nut at any position between the purge valve and the TCC outlet.

8 Test Functions and Calibration

System Pressure Test



In the first phase of the test, the pump delivers flow at a rate of $200 \mu\text{L}/\text{min}$ until a pressure of 50 bar below the defined maximum pressure is reached. In the second phase, the pump delivers a small flow which is increased stepwise. If there is a leak in the system, the pressure will drop initially, as the low flow cannot compensate the leak flow. As soon as the pump flow rate exceeds the leak flow rate, the pressure will increase again and the test is stopped at about 20 bar below the maximum pressure. The point in phase 2, where the lowest pressure is reached and stays constant for a short time corresponds to the leak rate, that is provided as a test result. A leak rate smaller than $3 \mu\text{L}/\text{min}$ is good enough for operating the pump reliably.

Running the Test

| Parts required | p/n | Description |
|----------------|-------------|-------------|
| | 01080-83202 | Blank nut |

CAUTION

Damage to pressure sensitive parts

Even columns that are suitable for high pressures are sensitive to pressure drops that occur during this test.

- Do not include any pressure sensitive parts to the flow path and choose a maximum pressure that is compatible to your system. For example, do not include columns, a standard pressure flow cell (up to 20 bar) or a 400 bar autosampler to a 600 bar pressure test.

Running the test from the Agilent Lab Advisor

- 1 Select the **System Pressure Test** from the **Test Selection** menu.
- 2 Start the test and follow the instructions.

NOTE

Make sure to release the pressure by slowly opening the purge valve when the test has finished.

“[Evaluating the Results](#)” on page 122 describes the evaluation and interpretation of the **System Pressure Test** results. For detailed instructions refer to the Agilent Lab Advisor software.

Evaluating the Results

The test fails, if the leak rate between pump and blank nut is higher than the limit of 3 $\mu\text{L}/\text{min}$.

If the **System Pressure Test** fails:

- Ensure that all fittings between the pump and the blank nut are tight.
- Repeat the test.

NOTE

Often it is only a damaged blank nut itself (poorly shaped from overtightening) that causes a failure of the test. Before investigating on any other possible sources of failure make sure that the blank nut you are using is in good condition and properly tightened!

If the test fails again, insert the blank nut at the outlet of the previous module in the stack (e.g. autosampler outlet if TCC has been tested before), and repeat the test. Exclude each module one by one to determine which module is leaking.

If the pump is determined to be the source of the leak, run the **Pump Leak Rate Test**.

Potential Causes of System Pressure Test Failure

System Pressure Test failed

The test will fail, if the sum of all leaks in the system (pump, autosampler or column compartment and connections) exceeds the test limit. After isolating and fixing the cause of the leak, repeat the **System Pressure Test** to confirm the system is pressure tight.

| Probable cause | Suggested actions |
|--|--|
| 1 Purge valve open. | Close the purge valve. |
| 2 Loose or leaky fittings. | Tighten the fitting or exchange the capillary. |
| 3 Pump: Damaged pump seals or pistons. | Run the Leak Rate Test to confirm the leak. |
| 4 Loose purge valve. | Tighten the purge valve nut (14 mm wrench). |
| 5 Autosampler: Loose or leaky fitting. | Tighten or exchange the fitting or capillary. |
| 6 Autosampler: Rotor seal (injection valve). | Exchange the rotor seal. |
| 7 Autosampler: Damaged metering seal or piston. | Exchange the metering seal. Check the piston for scratches. Exchange the piston if required. |
| 8 Autosampler: Needle seat. | Exchange the needle seat. |
| 9 Column compartment: Loose or leaky fitting. | Tighten or exchange the fitting or capillary. |
| 10 Column compartment: Rotor seal in optional valve. | Exchange the rotor seal. |

Leak Rate Test

Introduction

The **Leak Rate Test** is used for verifying the internal tightness of the pump and helps identifying parts which may have caused a leak.

System requirements

Minimum software revisions:

- Lab Advisor B.01.04. SP1 (G1310B Isocratic Pump, G1311B Quaternary Pump, G4280B Isocratic Pump, G4281B Gradient Pump)
- Lab Advisor B.01.04. SP2 (G1311C Quaternary Pump VL, G5611A Bio-inert Quaternary Pump)

Minimum firmware revisions:

- A.06.33

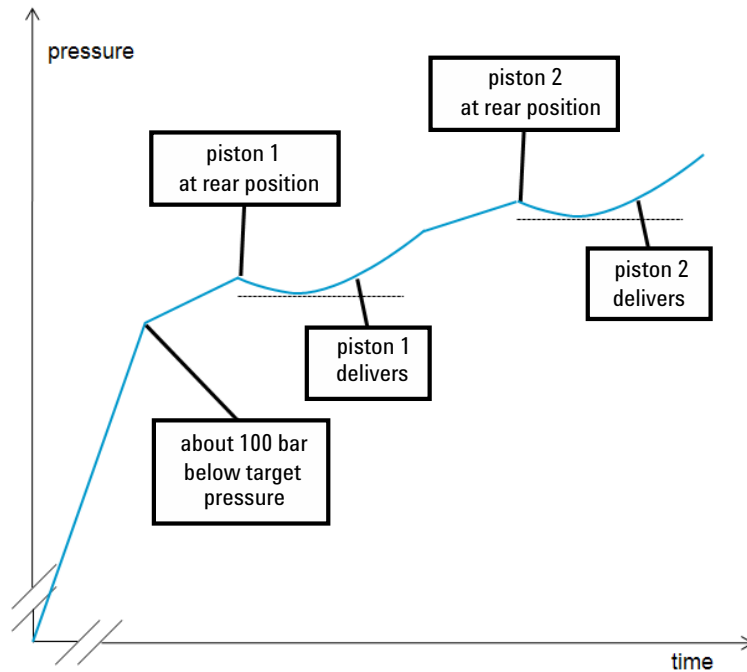
NOTE

This test does not work in emulation mode. In case of an emulated module, convert to the original type first (see [“Replacing the Module Firmware”](#) on page 162).

Test Principle

A solvent can be chosen from available solvent channels and a maximum target pressure can be defined at which the test will be run. Typically, this is the maximum pressure specified for the pump. The test can be run with any solvent compatible to the pump.

Before the test, the pump is flushed with solvent in order to remove air bubbles, as air bubbles are compressed during the test and therefore would appear as leaks. Using a degasser is highly recommended.



Initially, the pressure is increased to about 100 bar below the target pressure, which has been set for the test.

Then piston 1 is brought to its rear position. An increasing flow is delivered by piston 1. In case of a leak, the pressure will drop initially as long as the flow rate delivered by the piston is lower than the leak rate. As soon as the flow rate of the piston exceeds the leak rate, the measured pressure will increase again. Therefore the minimum pressure of that curve segment corresponds to the flow and leak rate at that time and the leak rate is measured. Compare to the description of the system pressure test (“[System Pressure Test](#)” on page 119).

Subsequently, piston 2 is moved to its rear position, then piston 2 delivers and the measurement is done as described for piston 1.

For a binary pump (G1312B/C, K1312B), the test is run for both pump heads for channels A and B.

Running the Test

| Parts required | p/n | Description |
|----------------|-------------|-------------|
| | 01080-83202 | Blank nut |

Running the test from the Agilent Lab Advisor

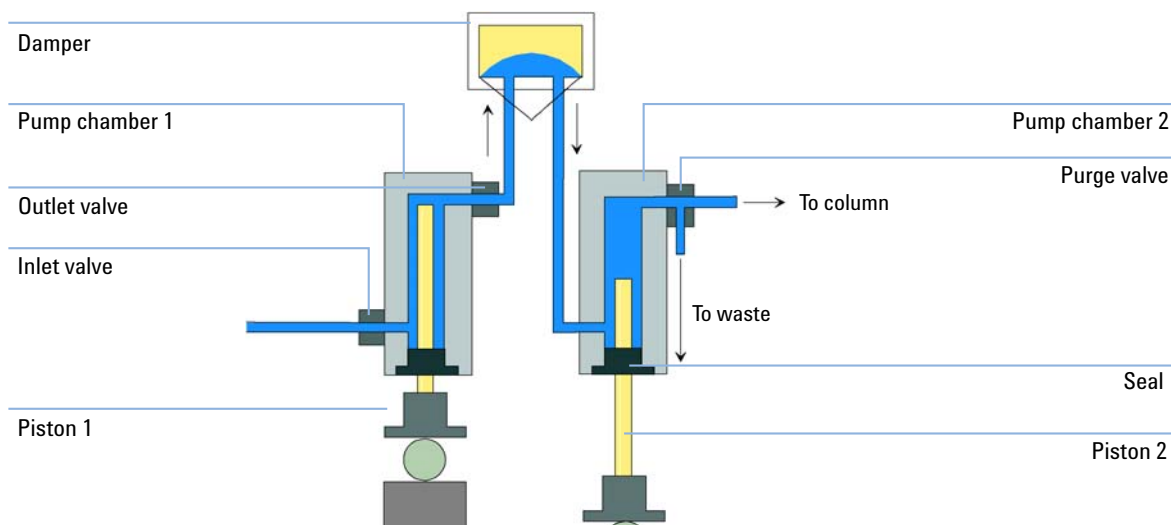
- 1 Select the **Leak Rate Test** from the **Test Selection** menu.
- 2 Start the test and follow the instructions.

NOTE

Make sure to release the pressure by slowly opening the purge valve when the test has finished.

Evaluating the Results

Results of the leak rate test are the leak rates measured for pistons 1 and 2 as described for the test principle. If any of the leak rates exceeds 3 $\mu\text{L}/\text{min}$, the test will fail.



Potential Causes of Leak Rate Test Failure

Secondary Leak

If a leak is found for movement of piston 2 (secondary leak), the following reasons are possible:

| Probable cause | Suggested actions |
|---|--|
| 1 System not flushed properly | Flush system for several minutes |
| 2 Degassing efficiency is low | Check degasser performance |
| 3 Purge valve not closed or defect | Check purge valve |
| 4 Blank nut not installed tightly | Tighten or replace blank nut |
| 5 Outlet valve leaking (read below) | Replace outlet valve |
| 6 Leak at piston 2 or seal in chamber 2 | Inspect piston, replace piston and/or seal |

Primary Leak

If a leak is found for movement of piston 1 (primary leak), any leak described for piston movement 2 will cause a failure for piston 1 as well, as the liquid can move through the outlet valve to chamber 2. Such cases need to be identified as described before. Additionally, following causes are possible:

| Probable cause | Suggested actions |
|---|---|
| 1 Leak at piston 1 or seal in chamber 1 | Inspect piston, replace piston and/or seal |
| 2 Leak at inlet valve | Replace inlet valve or inlet valve cartridge (AIV only) |

Internal Outlet Valve Leak

A leak of the outlet valve will be identified separately (internal outlet valve leak) by calculating the difference between leak rate 1 and leak rate 2. If the second leak rate is higher than the first one, this is due to a flow back through the outlet valve.

| Probable cause | Suggested actions |
|------------------------|--|
| 1 Leak at outlet valve | Replace the part which has failed and re-run the test. |

8 Test Functions and Calibration

Leak Rate Test



9 Maintenance

| | |
|--|-----|
| Introduction to Maintenance | 130 |
| Warnings and Cautions | 131 |
| Overview of Maintenance and Repair | 132 |
| Cleaning the Module | 133 |
| Checking and Replacing the Solvent Filter | 134 |
| Exchanging the Passive Inlet Valve (PIV) | 135 |
| Exchanging the Outlet Valve | 137 |
| Exchanging the Purge Valve Frit | 139 |
| Removing the Pump Head Assembly | 141 |
| Maintenance of a Pump Head Without Seal Wash Option | 143 |
| Maintenance of a Pump Head with Seal Wash Option | 146 |
| Reinstalling the Pump Head Assembly | 150 |
| Seal Wear-in Procedure | 152 |
| Exchanging the Multi-Channel Gradient Valve (MCGV) | 153 |
| Exchanging the Optional Interface Board | 156 |
| Exchanging the Active Inlet Valve (AIV) or its Cartridge | 158 |
| Exchanging the Seal Wash Cartridge | 160 |
| Replacing the Module Firmware | 162 |

This chapter describes the maintenance of the module.



Introduction to Maintenance

The module is designed for easy repair. The most frequent repairs such as piston seal change and purge valve frit change can be done from the front of the module with the module in place in the system stack.

These repairs are described in “[Overview of Maintenance and Repair](#)” on page 132.

Warnings and Cautions

WARNING

Toxic, flammable and hazardous solvents, samples and reagents

The handling of solvents, samples and reagents can hold health and safety risks.

- When working with these substances observe appropriate safety procedures (for example by wearing goggles, safety gloves and protective clothing) as described in the material handling and safety data sheet supplied by the vendor, and follow good laboratory practice.
 - The volume of substances should be reduced to the minimum required for the analysis.
 - Do not operate the instrument in an explosive atmosphere.
-

WARNING

Electrical shock

Repair work at the module can lead to personal injuries, e.g. shock hazard, when the cover is opened.

- Do not remove the cover of the module.
 - Only certified persons are authorized to carry out repairs inside the module.
-

WARNING

Personal injury or damage to the product

Agilent is not responsible for any damages caused, in whole or in part, by improper use of the products, unauthorized alterations, adjustments or modifications to the products, failure to comply with procedures in Agilent product user guides, or use of the products in violation of applicable laws, rules or regulations.

- Use your Agilent products only in the manner described in the Agilent product user guides.
-

CAUTION

Safety standards for external equipment

- If you connect external equipment to the instrument, make sure that you only use accessory units tested and approved according to the safety standards appropriate for the type of external equipment.
-

Overview of Maintenance and Repair

The following pages describe maintenance (simple repairs) of the pump that can be carried out without opening the main cover.

Table 11 Simple Repair Procedures

| Procedure | Typical Frequency | Notes |
|---|---|--|
| "Checking and Replacing the Solvent Filter" on page 134 | If solvent filter is blocked | Gradient performance problems, intermittent pressure fluctuations |
| "Exchanging the Passive Inlet Valve (PIV)" on page 135 | If internally leaking | Pressure ripple unstable, run Leak Rate Test for verification |
| "Exchanging the Outlet Valve" on page 137 | If internally leaking | Pressure ripple unstable, run Leak Rate Test for verification |
| "Exchanging the Purge Valve Frit" on page 139 | If internally leaking | Solvent dripping out of waste outlet when valve closed |
| "Exchanging the Purge Valve Frit" on page 139 | If the frit shows indication of contamination or blockage | A pressure drop of > 10 bar across the frit (at a water flow of 5 mL/min with open purge valve) indicates blockage |
| "Maintenance of a Pump Head Without Seal Wash Option" on page 143 | If pump performance indicates seal wear | Leaks at lower pump head side, unstable retention times, pressure ripple unstable — run Leak Rate Test for verification |
| Exchanging pistons, see "Maintenance of a Pump Head Without Seal Wash Option" on page 143 | If scratched | Seal life time shorter than usual — check pistons while changing the seals |
| "Exchanging the Optional Interface Board" on page 156 | If defective | Error condition, indicated by red status indicator |

Cleaning the Module

To keep the module case clean, use a soft cloth slightly dampened with water, or a solution of water and mild detergent.

WARNING

Liquid dripping into the electronic compartment of your module can cause shock hazard and damage the module

- Do not use an excessively damp cloth during cleaning.
 - Drain all solvent lines before opening any connections in the flow path.
-

Checking and Replacing the Solvent Filter

A functional solvent filter is essential for a good pump performance and for protecting the LC system.

When If solvent filter is blocked.

| Parts required | p/n | Description |
|-----------------------|------------|---------------------------------------|
| | 5041-2168 | Solvent inlet filter, 20 µm pore size |

See “[Bottle Head Assembly](#)” on page 175 for related parts.

CAUTION

Small particles can permanently block the capillaries and valves of the module.
Damage of the module.

→ Always filter solvents.

→ Never use the module without solvent inlet filter.

NOTE

If the filter is in good condition the solvent will freely drip out of the solvent tube (hydrostatic pressure). If the solvent filter is partly blocked only very little solvent will drip out of the solvent tube.

- 1 Remove the solvent filter from the inlet filter adapter and replace it by a new one.

Exchanging the Passive Inlet Valve (PIV)

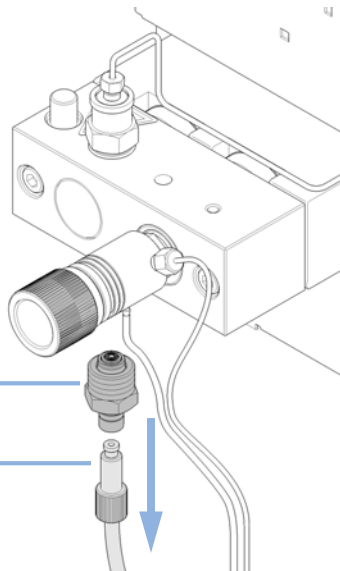
When If internally leaking (backflow)

Tools required **Description**
 Wrench, 14 mm
 Pair of tweezers

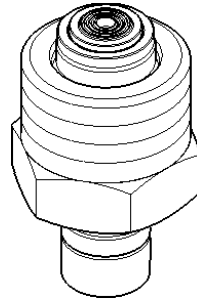
Parts required **p/n** **Description**
 G1312-60066 Passive inlet valve 1220/1260

Preparations Remove the front cover.

- 1** Disconnect the solvent inlet tube from the inlet valve (be aware that solvent may leak out of the tube due to hydrostatic flow).



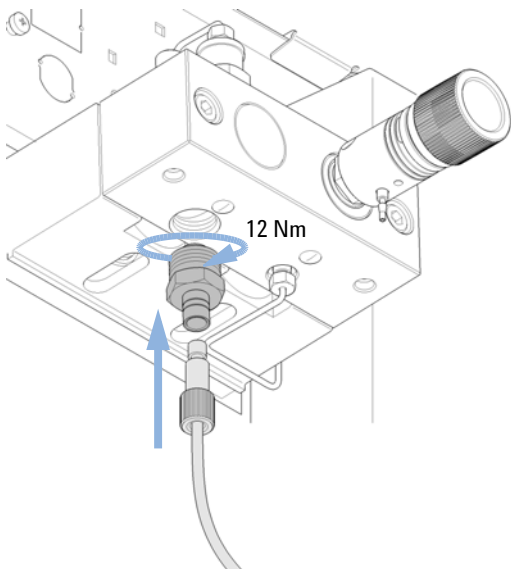
- 2** Using a 14 mm wrench loosen the passive inlet valve and remove the valve from the pump head.



9 Maintenance

Exchanging the Passive Inlet Valve (PIV)

- 3** Insert the new valve into the pump head and tighten the valve using a torque wrench (12 Nm).

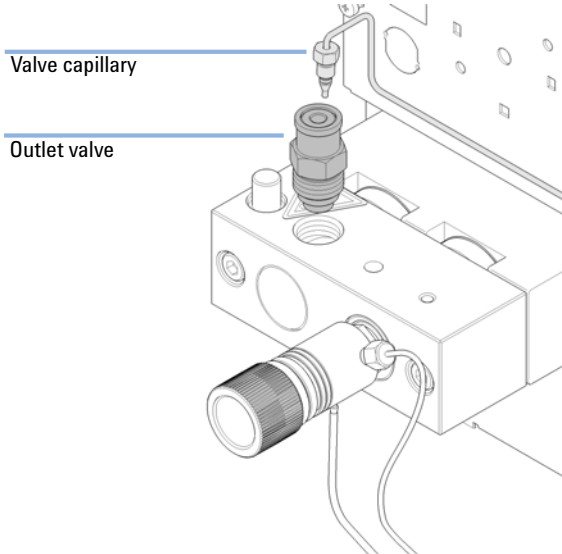
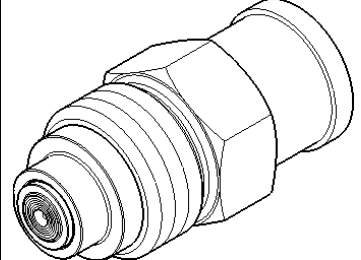


Next Steps:

- 4** Reconnect the solvent inlet tube to the passive inlet valve.
5 Reinstall the front cover.

Exchanging the Outlet Valve

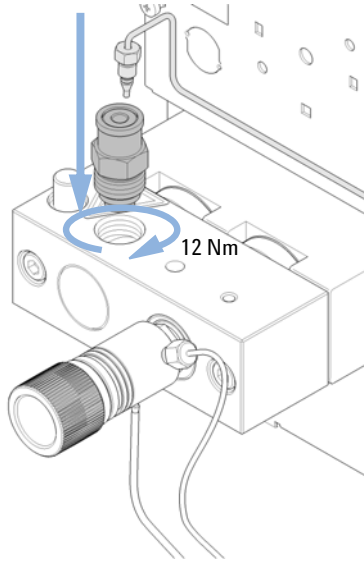
| | | |
|-----------------------|--|-----------------------------|
| When | If internally leaking | |
| Tools required | p/n | Description |
| | 8710-0510 | Wrench open 1/4 — 5/16 inch |
| | 8710-1924 | Wrench open 14 mm |
| Parts required | p/n | Description |
| | G1312-60067 | Outlet valve 1220/1260 |
| Preparations | <ul style="list-style-type: none"> • Switch off pump at the main power switch • Remove the front cover | |

| | |
|--|--|
| <p>1 Using a 1/4 inch wrench disconnect the valve capillary from the outlet valve. Using the 14 mm wrench loosen the valve and remove it from the pump body.</p>  | <p>2 Do not disassemble the outlet valve, as this can damage the valve.</p>  |
|--|--|

9 Maintenance

Exchanging the Outlet Valve

- 3** Reinstall the outlet valve and tighten the valve using a torque wrench (12 Nm). Reconnect the valve capillary.



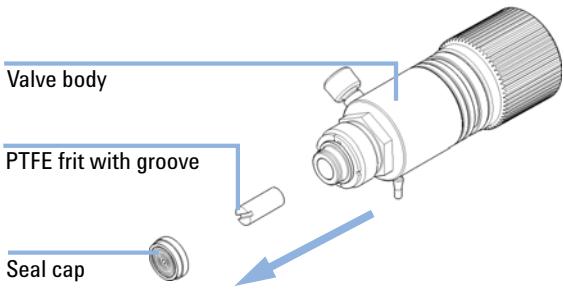
Exchanging the Purge Valve Frit

- When**
- Frit – when piston seals are exchanged or when contaminated or blocked (pressure drop of > 10 bar across the frit at a flow rate of 5 mL/min of water with purge valve opened)
 - Purge valve – if internally leaking

| Tools required | p/n | Description |
|----------------|-----------|-----------------------------|
| | 8710-0510 | Wrench open 1/4 — 5/16 inch |
| | 8710-1924 | Wrench open 14 mm |
| | | Pair of tweezers |
| OR | | Toothpick |

| Parts required | # | p/n | Description |
|----------------|---|-------------|------------------------|
| | 1 | 01018-22707 | PTFE frits (pack of 5) |
| | 1 | G1312-60061 | Purge valve 1260 |
| | 1 | 5067-4728 | Seal cap (OPTIONAL) |

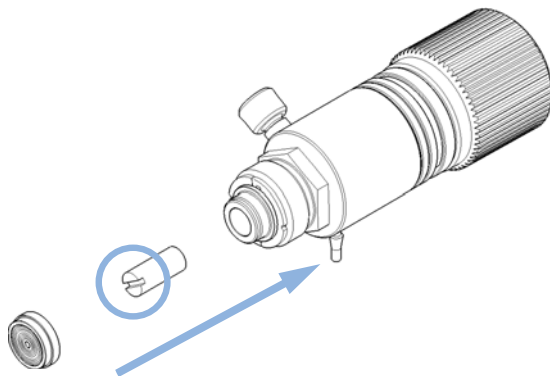
- Preparations**
- Switch off pump at the main power switch
 - Remove the front cover
 - Use an optional solvent shutoff valve or lift up solvent filters in solvent reservoirs for avoiding leakages.

| | |
|--|--|
| <ol style="list-style-type: none"> 1 Using a 1/4 inch wrench disconnect the pump outlet capillary from the purge valve. 2 Disconnect the waste tube. Beware of leaking solvents due to hydrostatic pressure. 3 Using the 14 mm wrench unscrew the purge valve and remove it. 4 Remove the seal cap from the purge valve. | <p>5 Using a pair of tweezers or a toothpick remove the frit.</p>  <p>The diagram illustrates the purge valve assembly. It shows a cylindrical valve body with a threaded cap. A PTFE frit with a groove is shown being inserted into the valve. A seal cap is shown separately. A blue arrow points to the frit, indicating its removal.</p> |
|--|--|

9 Maintenance

Exchanging the Purge Valve Frit

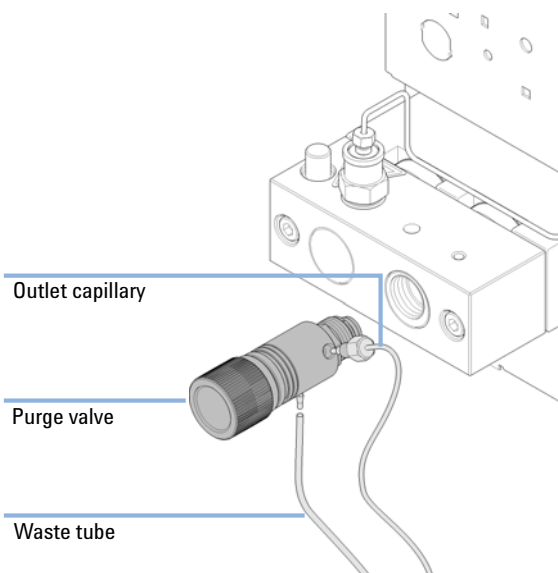
- 6** Place a new frit into the purge valve with the orientation of the frit as shown below (slit in frit points to the front). Reinstall the seal cap including the gold seal.



NOTE

Before reinstallation always check the gold seal in the seal cap. A deformed seal cap should be exchanged.

- 7** Insert the purge valve into the pump head and locate the pump outlet capillary and the waste tube.



- 8** Tighten the purge valve and reconnect outlet capillary and waste tubing.

Removing the Pump Head Assembly

- When**
- Exchanging the seals
 - Exchanging the pistons
 - Exchanging seals of the seal wash function

| Tools required | p/n | Description |
|----------------|-----------|---|
| | 8710-0510 | Wrench open 1/4 — 5/16 inch |
| | 8710-2392 | Hexagonal key, 4.0 mm, 15 cm long, T-handle |

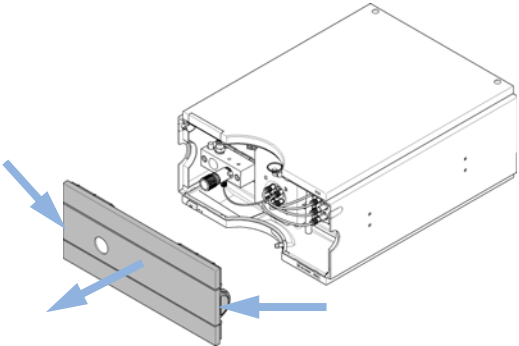
- Preparations**
- Switch off pump at the main power switch and unplug the power cable.
 - Use an optional solvent shutoff valve or lift up solvent filters in solvent reservoirs for avoiding leakages.

CAUTION

Damage of the pump drive

Starting the pump when the pump head is removed may damage the pump drive.

→ Never start the pump when the pump head is removed.

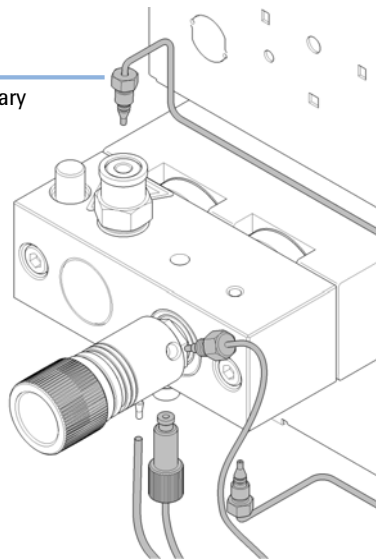
| | |
|---|---|
| <p>1 Remove the front cover by pressing the clip fasteners on both sides of the cover.</p>  | <p>2 If an active inlet valve is installed, disconnect the active inlet valve cable.</p> |
|---|---|

9 Maintenance

Removing the Pump Head Assembly

- 3** Using a 1/4 inch wrench remove the outlet capillary.

Outlet valve capillary



- 4** Disconnect the capillary from the outlet valve.

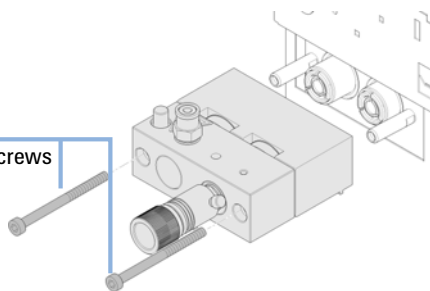
- 5** Remove the waste tubing and disconnect the solvent tubing from the inlet valve.

- 6** If applicable, remove tubings from the seal wash support rings.

- 7** Remove the capillary at the bottom of the pump head.

- 8** Using a 4 mm hexagonal key, stepwise loosen the two pump head screws and remove the pump head from the pump drive.

Pump head screws



Maintenance of a Pump Head Without Seal Wash Option

When In case of maintenance or pump head internal leaks.

Tools required

Description
Wrench 1/4 inch
Hexagonal key, 4 mm

| Parts required | # | p/n | Description |
|-----------------------|----------|-------------|---|
| | 1 | 01018-23702 | Insert tool |
| | 1 | 5063-6589 | Piston seal PTFE, carbon filled, black (pack of 2), default |
| OR | 1 | 0905-1420 | PE seals (pack of 2) |
| | 1 | 5063-6586 | Sapphire piston |

For a complete list of parts see [“Pump Head Assembly Without Seal Wash”](#) on page 164.

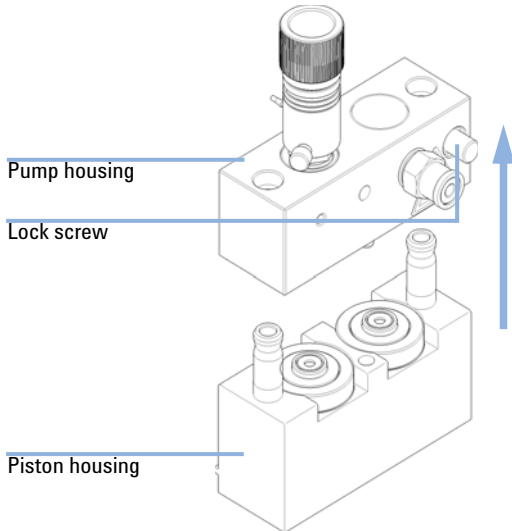
Preparations

- Switch off pump at the main power switch
- Remove the front cover
- [“Removing the Pump Head Assembly”](#) on page 141

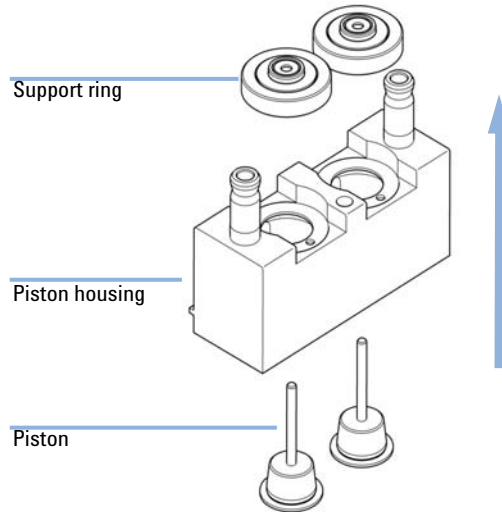
9 Maintenance

Maintenance of a Pump Head Without Seal Wash Option

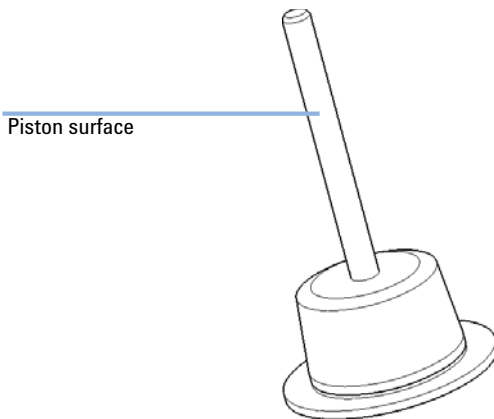
- 1** Place the pump head on a flat surface. Loosen the lock screw (two turns) and while holding the lower half of the assembly (piston housing) carefully pull the pump housing away from the piston housing.



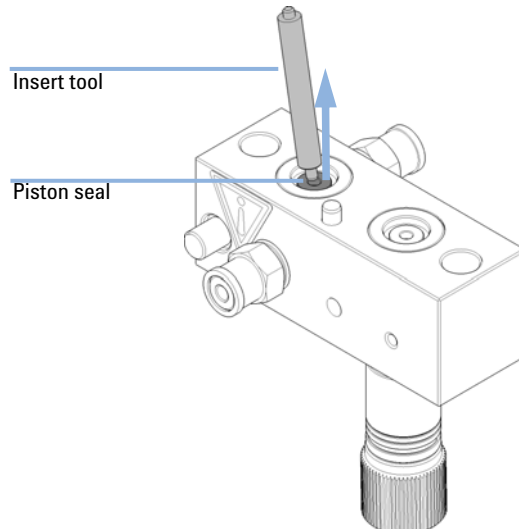
- 2** Remove the support rings from the piston housing and lift the housing away from the pistons.



- 3** Check the piston surface and remove any deposits or layers. Cleaning can be done with alcohol or tooth paste. Replace piston if scratched.

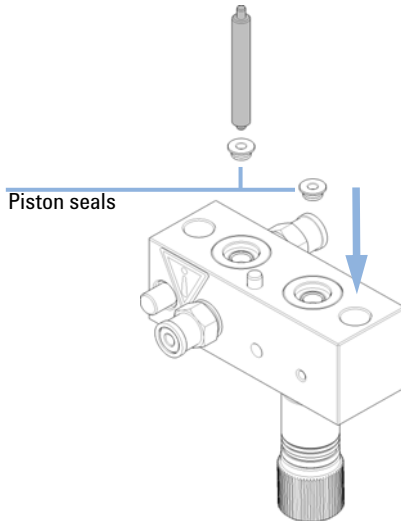


- 4** Using the steel side of the insert tool carefully remove the seal from the pump housing. Remove wear retainers, if still present.

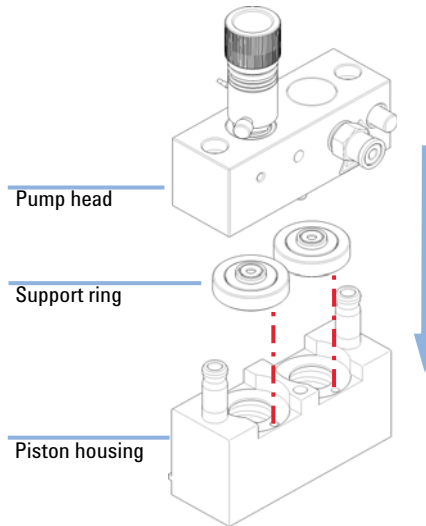


Maintenance of a Pump Head Without Seal Wash Option

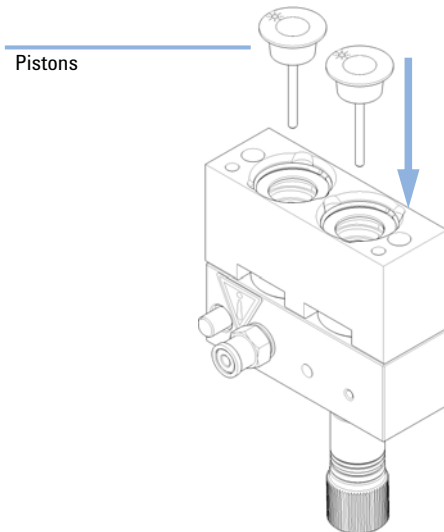
- 5** Using the plastic side of the insert tool, insert new seals into the pump head.



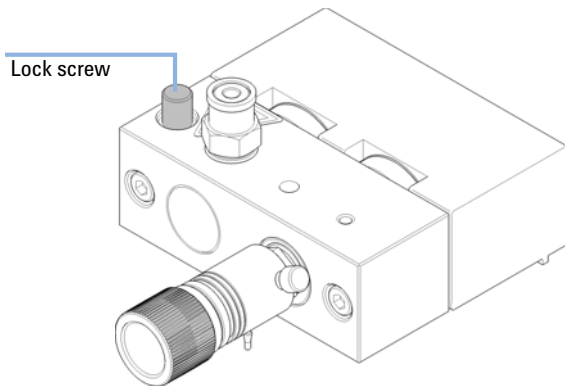
- 6** Reassemble the pump head assembly. Note the correct position of the pin on the support ring.



- 7** Insert the pistons and carefully press them into the seals.



- 8** Tighten the lock screw.

**Next Steps:**

- 9** If a standard seal has been installed, run the seal wear-in procedure, see [“Seal Wear-in Procedure”](#) on page 152, which includes a replacement of the purge valve frit.
- 10** For the normal phase seal, the purge valve frit should be replaced, see [“Exchanging the Purge Valve Frit”](#) on page 139.

9 Maintenance

Maintenance of a Pump Head with Seal Wash Option

Maintenance of a Pump Head with Seal Wash Option

| Tools required | p/n | Description | |
|----------------|-----------|---------------------------------|---|
| | 8710-2392 | Hex key 4 mm15 cm long T-handle | |
| Parts required | # | p/n | Description |
| | 1 | 01018-23702 | Insert tool |
| | 1 | 0905-1175 | Wash seal (PTFE) |
| | 1 | 5062-2484 | Gasket, seal wash (pack of 6) |
| | 1 | 5063-6589 | Piston seal PTFE, carbon filled, black (pack of 2), default |
| OR | 1 | 0905-1420 | PE seals (pack of 2) |
| | 1 | 5063-6586 | Sapphire piston |

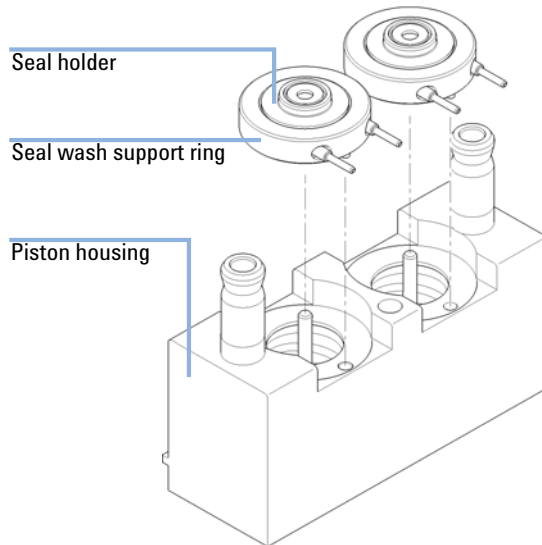
For a complete list of pump head parts, please see [“Pump Head Assembly with Seal Wash”](#) on page 166.

Preparations

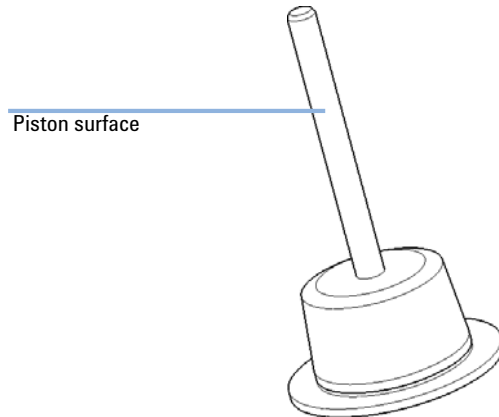
- Switch off pump at the main power switch
- Remove the front cover
- Use an optional solvent shutoff valve or lift up solvent filters for avoiding leakages
- Remove the pump head, see [“Removing the Pump Head Assembly”](#) on page 141
- Remove the wash solvent tubings from the support ring inlet and outlet

Maintenance of a Pump Head with Seal Wash Option

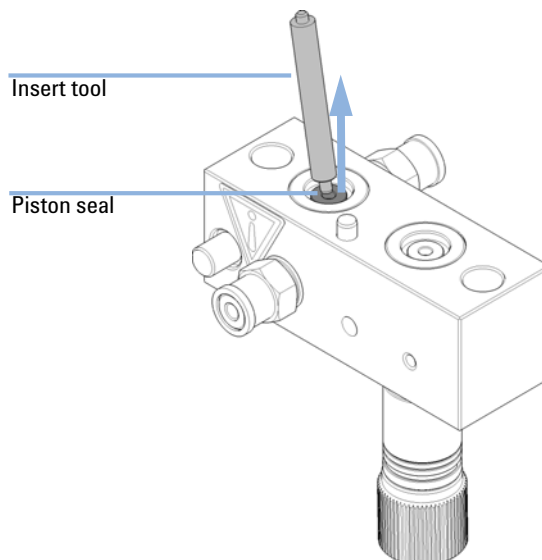
- 1** Remove the seal holder and the seal wash support rings from the piston housing. Remove the seal holder from the support ring assembly.



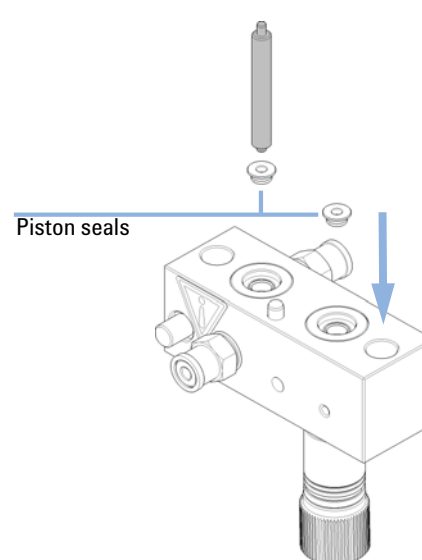
- 2** Check the piston surface and remove any deposits or layers. Cleaning can be done with alcohol or tooth paste. Replace piston if scratched.



- 3** Using the steel side of the insert tool carefully remove the seal from the pump housing. Remove wear retainers, if still present.



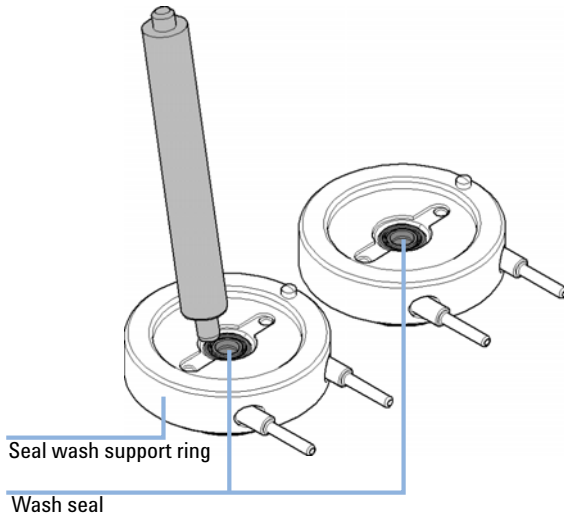
- 4** Using the plastic side of the insert tool, insert new seals into the pump head.



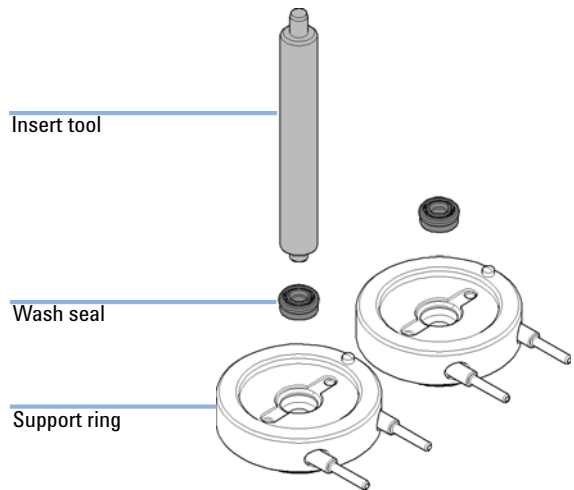
9 Maintenance

Maintenance of a Pump Head with Seal Wash Option

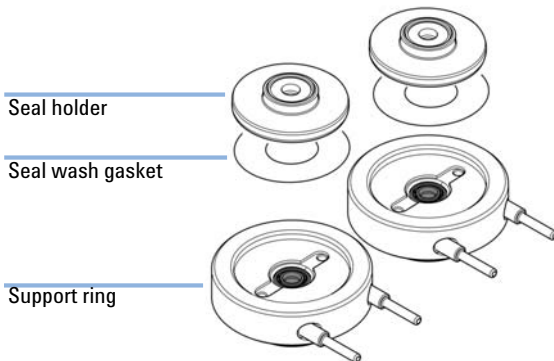
- 5** Using the steel side of the insert tool remove the seal wash gasket and the wash seal from the support ring. The removed seal will be damaged and cannot be re-used!



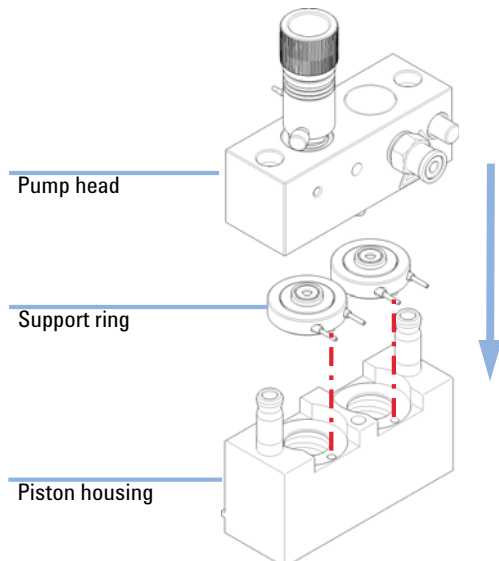
- 6** Using the plastic side of the insert tool press the new wash seal (spring pointing upwards) into the recess of the support ring.



- 7** Place a seal wash gasket in the recess of the support ring. Put the seal holder on top of the gasket.

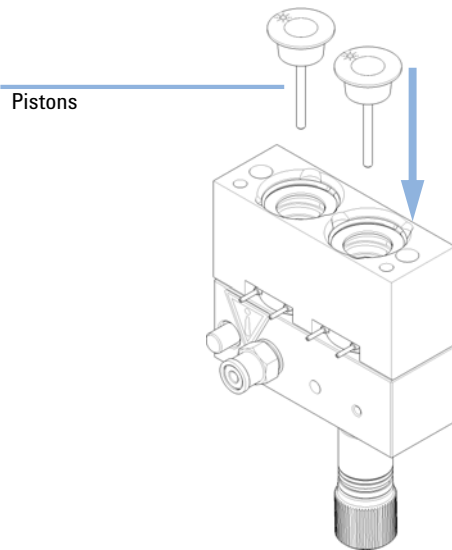


- 8** Place the support rings on the piston housing (pistons not installed) and snap the pump head and piston housing together. Note the correct position of the pin on the support ring.

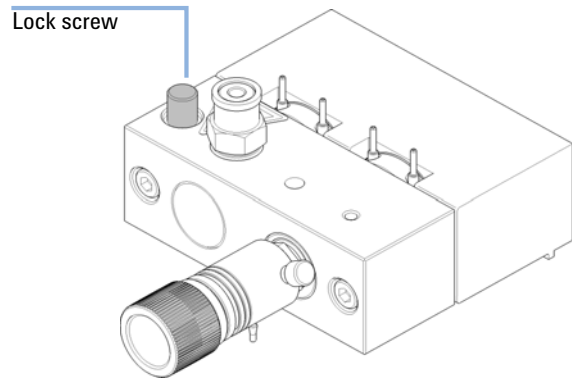


Maintenance of a Pump Head with Seal Wash Option

9 Insert the pistons and carefully press them into the seals.



10 Tighten the lock screw.



9 Maintenance
Reinstalling the Pump Head Assembly

Reinstalling the Pump Head Assembly

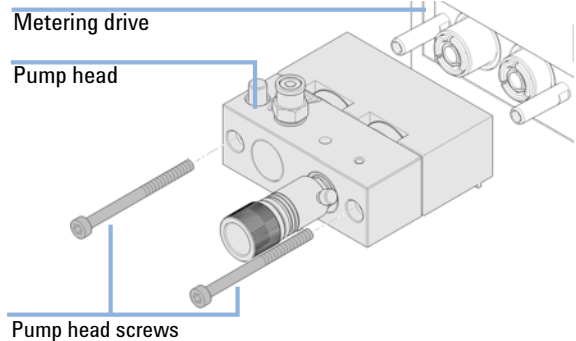
When When reassembling the pump

| Tools required | p/n | Description |
|-----------------------|------------|---------------------------------|
| | 8710-2392 | Hex key 4 mm15 cm long T-handle |

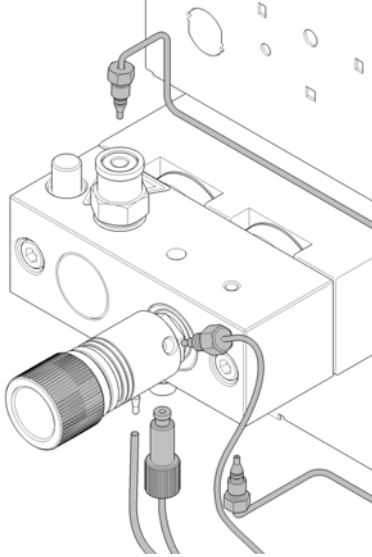
| Parts required | # | p/n | Description |
|-----------------------|----------|-------------|--------------------|
| | 1 | 79846-65501 | Pump head grease |

1 If needed, apply a small amount of grease on the back of the screws. Normally, the grease added during manufacturing is sufficient for a long time.

2 Slide the pump head assembly onto the pump drive and use a 4 mm hexagonal key to tighten the pump head screws stepwise with increasing torque (max. 5 Nm).



3 Reconnect all capillaries, tubes and (if installed) the active inlet valve cable to its connector.



4 Reinstall the front cover.

Seal Wear-in Procedure

| Parts required | p/n | Description |
|----------------|-----------|------------------------------------|
| | 0100-1847 | Adapter AIV to solvent inlet tubes |
| | 5022-2159 | Restriction capillary |

CAUTION

Seal damage

This procedure is required for black PTFE seals (standard applications, p/n 5063-6589), but it will damage the yellow PE seals (normal phase applications, p/n 0905-1420).

→ Do not run the seal wear-in procedure if PE seals are installed in the pumphead.

NOTE

Before replacing your solvent by isopropanol or replacing isopropanol by your solvent, consider solvent miscibility. For example, do not directly switch from buffers to isopropanol and vice versa.

- 1 Place a bottle with 100 mL of isopropanol in the solvent cabinet and put a tubing (including bottle head assembly) into the bottle.
- 2 If an active inlet valve is installed, screw the PEEK adapter 1/4-28 to 10-32 (0100-1847) to the AIV and connect the inlet tube from the bottle head directly to it.
- 3 Connect the Restriction capillary (5022-2159) to the purge valve. Connect its other end to a waste container.
- 4 Open the purge valve and purge the system for 5 min with isopropanol at a flow rate of 2 mL/min.
- 5 Close the purge valve and set the flow to a rate adequate to achieve a pressure of 350 bar. Pump 15 min at this pressure to wear in the seals. The pressure can be monitored using your instrument control software or tool.
- 6 Turn OFF the pump, slowly open the purge valve to release the pressure from the system, disconnect the restriction capillary and reinstall the bottle with the solvent for your application.
- 7 Rinse your system with the solvent used for your next application.
- 8 Replace the purge valve frit, see [“Exchanging the Purge Valve Frit”](#) on page 139.

Exchanging the Multi-Channel Gradient Valve (MCGV)

| | | |
|-----------------------|---|-------------------------------------|
| Tools required | p/n | Description |
| | 8710-0899 | Screwdriver, Pozidriv #1 |
| Parts required | p/n | Description |
| | G1311-67701 | Multi channel gradient valve (MCGV) |
| Preparations | <ul style="list-style-type: none">• Switch off pump at the main power switch• Remove the front cover• Use an optional solvent shutoff valve or lift up solvent filters in solvent reservoirs for avoiding leakages. | |

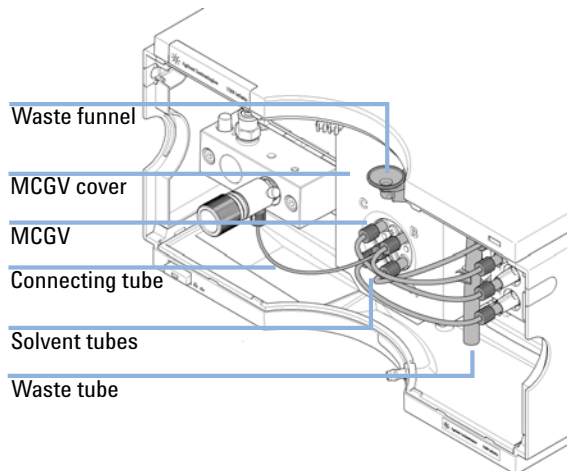
NOTE

The life time of the multi-channel gradient valve can be increased by regularly flushing the valve, especially when using buffers. If using buffers, flush all channels of the valve with water to prevent precipitation of the buffer, otherwise salt crystals could drop into an unused channel and form plugs that may cause leaks of that channel. Such leaks will interfere with the general performance of the valve. When using buffers in combination with organic solvents in the Agilent 1260 Infinity Quaternary Pump it is recommended to connect the aqueous solutions/buffers to one of the bottom ports (A and D) and the organic solvent to one of the upper gradient valve ports. It is best to have the organic channel directly above the buffer channel (e.g., A - buffer, B - organic solvent).

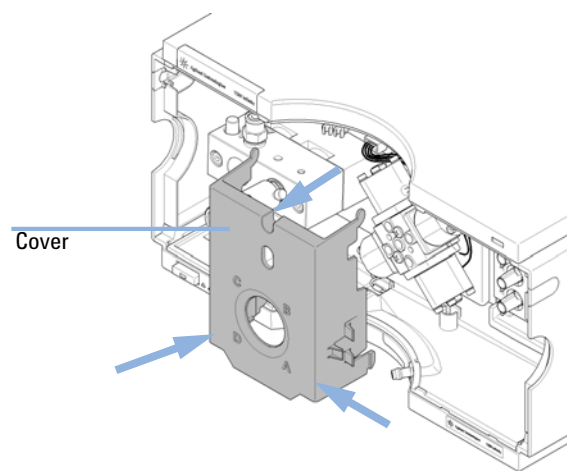
9 Maintenance

Exchanging the Multi-Channel Gradient Valve (MCGV)

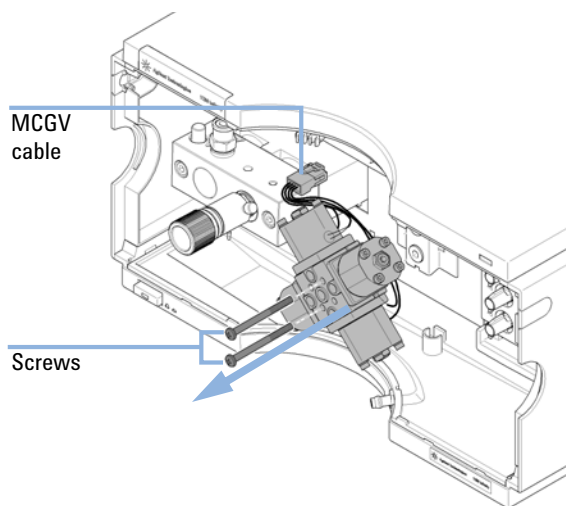
- 1** Disconnect the connecting tube, waste tube and the solvent tubes from the MCGV.



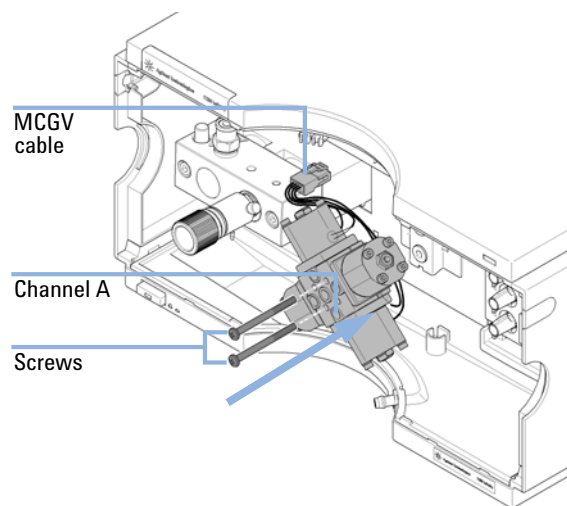
- 2** Press the lower sides of the cover to unclip it. Remove the cover.



- 3** Disconnect the MCGV cable, unscrew the two screws and remove the valve.

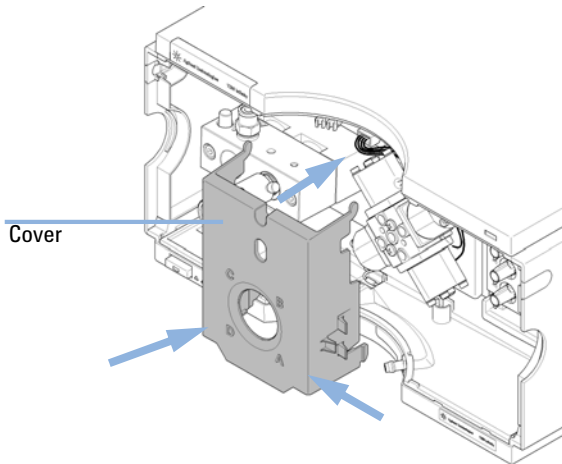


- 4** Place the new MCGV into position. Make sure that channel A of the MCGV is put at the bottom-right position. Tighten the two screws and connect the cable to its connector.

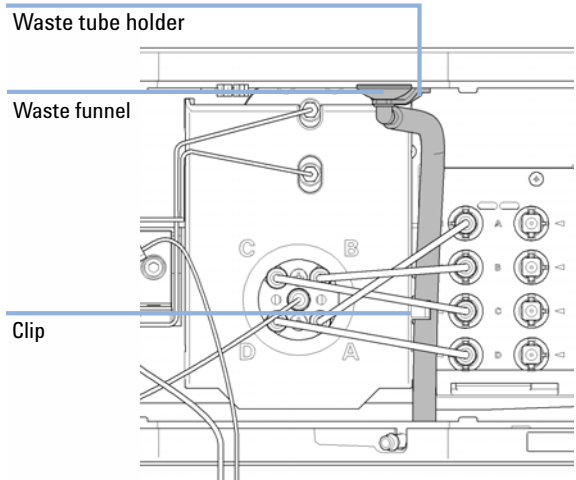


Exchanging the Multi-Channel Gradient Valve (MCGV)

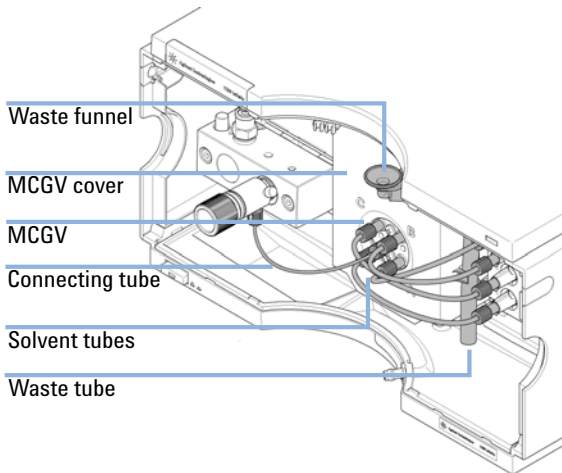
5 Install the MCGV cover.



6 Reconnect the waste funnel with the waste tube holder in the top cover. Insert waste tube in the holder in the leak pan and clip tube to the MCGV cover.



7 Reconnect the tube from the inlet valve to the middle position of the MCGV. Connect solvent tubes for channels A-D from the MCGV to the degasser outlets.



Exchanging the Optional Interface Board

When Board defective

| Parts required | # | p/n | Description |
|-----------------------|----------|-------------|--|
| | 1 | G1351-68701 | Interface board (BCD) with external contacts and BCD outputs |

CAUTION

Electronic boards are sensitive to electrostatic discharge (ESD) and should be handled with care so as not to damage them. Touching electronic boards and components can cause electrostatic discharge.

ESD can damage electronic boards and components.

→ Be sure to hold the board by the edges and do not touch the electrical components. Always use an ESD protection (for example, an ESD wrist strap) when handling electronic boards and components.

-
- 1 Switch off the pump at the main power switch, unplug the pump from line power.
 - 2 Disconnect cables from the interface board connectors.

Exchanging the Optional Interface Board

- 3 Loosen the screws. Slide out the interface board from the pump.

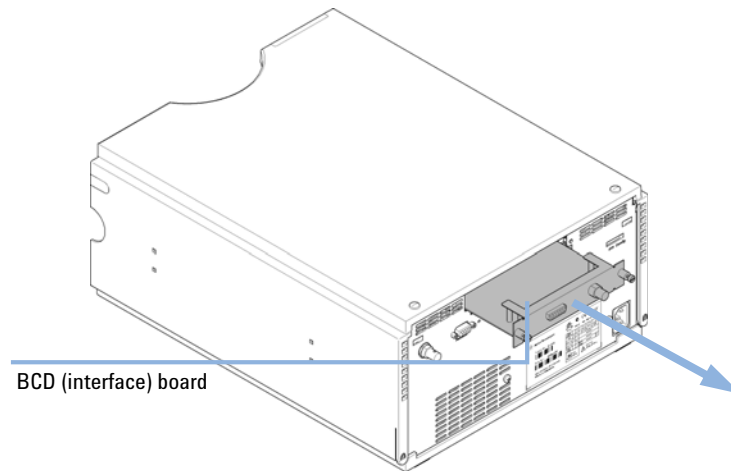


Figure 13 Exchanging the Interface Board

- 4 Install the new interface board. Secure screws.
- 5 Reconnect the cables to the board connector.
- 6 Reconnect the pump to line power.

9 Maintenance

Exchanging the Active Inlet Valve (AIV) or its Cartridge

Exchanging the Active Inlet Valve (AIV) or its Cartridge

When If internally leaking (backflow)

Tools required

Description

Wrench, 14 mm

Pair of tweezers

| Parts required | # | p/n | Description |
|-----------------------|----------|-------------|---|
| | 1 | G5699A | Active Inlet Valve Upgrade Kit includes service and the parts listed below |
| | 1 | G1312-60025 | Active inlet valve body, without cartridge (OPTIONAL) |
| | 1 | 5062-8562 | Active Inlet Valve Cartridge (400 bar) |
| | 1 | G1311-67304 | Connecting tube, MCGV to AIV |

Preparations

- Switch off pump at the main power switch and unplug the power cable.
- Use an optional solvent shutoff valve or lift up solvent filters in solvent reservoirs for avoiding leakages.

NOTE

The active inlet valve can be installed for highest method backward compatibility or special applications.

NOTE

By default, 1260 Infinity pumps do not have an active inlet valve. If an AIV shall be installed, please contact your Agilent service representative.

- 1 Remove the front cover.
- 2 Unplug the active inlet valve cable from the connector.
- 3 Disconnect the solvent inlet tube from the inlet valve (be aware that solvent may leak out of the tube due to hydrostatic flow).
- 4 Unscrew the adapter from the active inlet valve.

Exchanging the Active Inlet Valve (AIV) or its Cartridge

- Using a 14 mm wrench loosen the active inlet valve and remove the valve from the pump head.

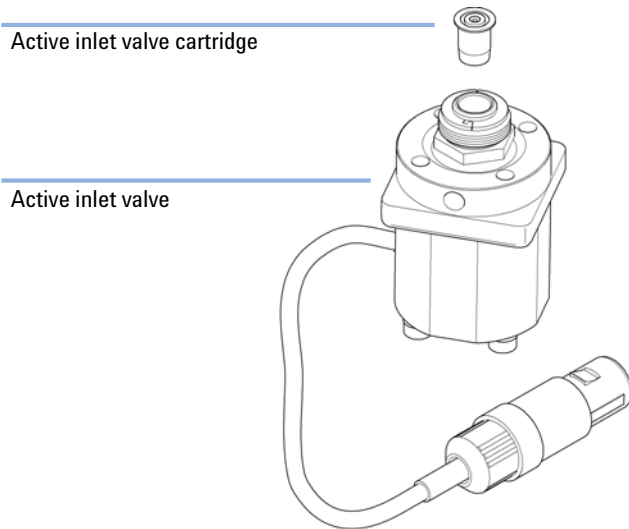


Figure 14 Active Inlet Valve Assembly

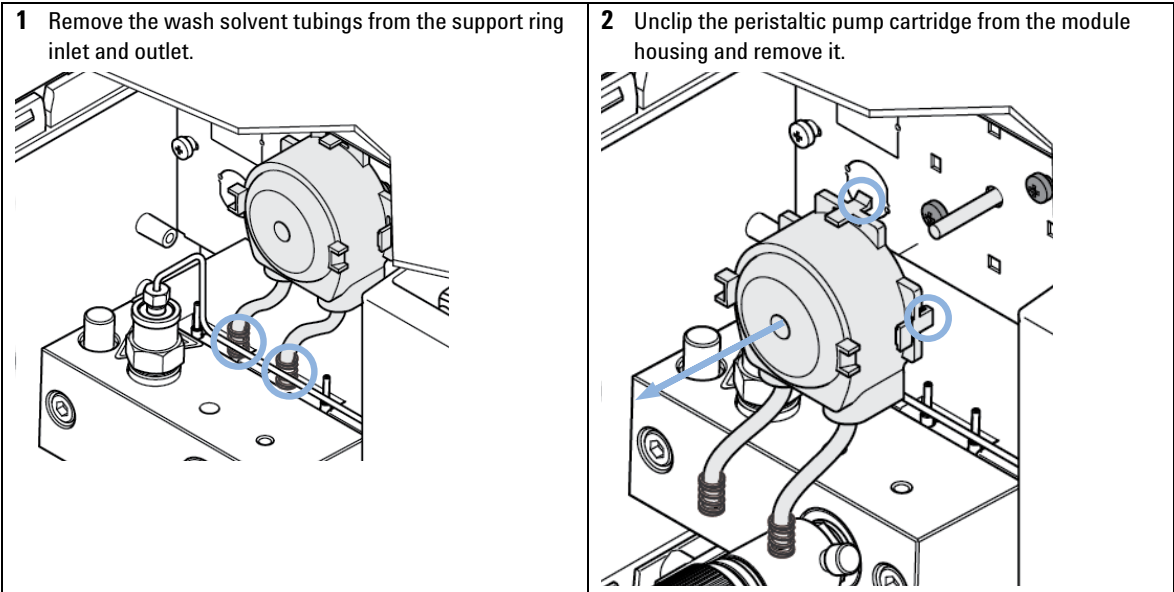
- Using a pair of tweezers remove the valve cartridge from the actuator assembly.
- Before inserting the new valve cartridge clean the area in the actuator assembly. Flush the cartridge area thoroughly with alcohol.
- Insert a new cartridge into the actuator assembly (make sure the valve cartridge is completely inserted into the actuator assembly).
- Insert the new valve into the pump head. Using the 14 mm wrench turn the nut until it is hand tight.
- Position the valve such that the solvent inlet tube connection points towards the front.
- Using the 14 mm wrench tighten the nut by turning the valve into its final position (not more than a quarter turn).
- Reconnect the adapter at the active inlet valve.
- Reconnect the solvent inlet tube to the adapter. Reconnect the active inlet valve cable to the connector in the Z-panel.
- Reinstall the front cover.
- Purge the system with 30 mL of solvent in order to achieve a low pressure ripple, see “Regular Priming” on page 49.

9 Maintenance
Exchanging the Seal Wash Cartridge

Exchanging the Seal Wash Cartridge

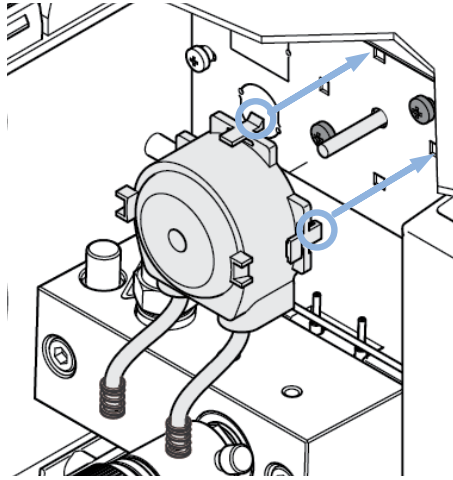
| Parts required | p/n | Description |
|----------------|-----------|--|
| | 5067-4793 | Peristaltic Pump with Fixation Springs |

- Preparations**
- Switch off pump at the main power switch
 - Remove the front cover

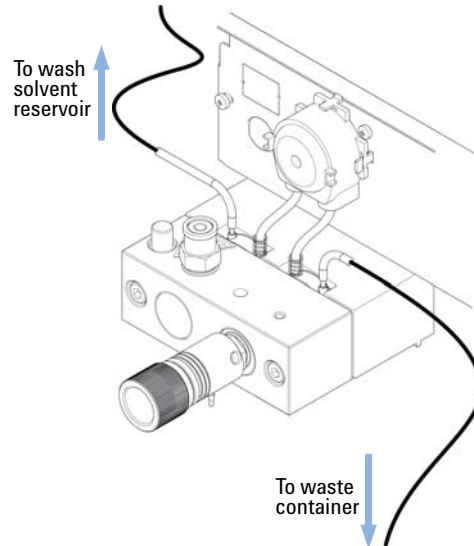


Exchanging the Seal Wash Cartridge

- 3** Put the new peristaltic pump cartridge onto the rod of the pump motor and push the plastic clips into the module housing.



- 4** Connect the peristaltic pump tubes to the middle nozzles of the support rings. Connect the left nozzle to the wash solvent reservoir and the right one to the waste container.



Replacing the Module Firmware

| | |
|-------------|---|
| When | The installation of newer firmware might be necessary <ul style="list-style-type: none">• if a newer version solves problems of older versions or• to keep all systems on the same (validated) revision. The installation of older firmware might be necessary <ul style="list-style-type: none">• to keep all systems on the same (validated) revision or• if a new module with newer firmware is added to a system or• if third party control software requires a special version. |
|-------------|---|

| | |
|-----------------------|---|
| Tools required | Description |
| | LAN/RS-232 Firmware Update Tool |
| OR | Agilent Lab Advisor software |
| OR | Instant Pilot G4208A (only if supported by module) |

| | | |
|-----------------------|----------|---|
| Parts required | # | Description |
| | 1 | Firmware, tools and documentation from Agilent web site |

Preparations Read update documentation provided with the Firmware Update Tool.

To upgrade/downgrade the module's firmware carry out the following steps:

- 1 Download the required module firmware, the latest LAN/RS-232 FW Update Tool and the documentation from the Agilent web.
 - http://www.chem.agilent.com/_layouts/agilent/downloadFirmware.aspx?whid=69761
- 2 For loading the firmware into the module follow the instructions in the documentation.

Module Specific Information

There is no specific information for this module.



10 Parts for Maintenance

| | |
|---------------------------------------|-----|
| Pump Head Assembly Without Seal Wash | 164 |
| Pump Head Assembly with Seal Wash | 166 |
| Outlet Valve | 168 |
| Purge Valve Assembly | 169 |
| Active Inlet Valve Assembly | 170 |
| HPLC Starter Kit G4201-68707 | 171 |
| HPLC Starter Kit G4202-68707 | 172 |
| HPLC System Tool Kit | 173 |
| Solvent Cabinet | 174 |
| Bottle Head Assembly | 175 |
| Hydraulic Path of the Quaternary Pump | 176 |

This chapter provides information on parts for maintenance.



Pump Head Assembly Without Seal Wash

| Item | p/n | Description |
|------|-------------|---|
| | G1312-60056 | Pump Head 1200 SL without Seal Wash |
| 1 | 5063-6586 | Sapphire piston |
| 2 | G1311-60002 | Piston housing |
| 3 | 5067-1560 | Support Ring SL, no seal wash |
| 4 | 5062-2484 | Gasket, seal wash (pack of 6) |
| 5 | 5042-8952 | Seal holder |
| 6 | 5063-6589 | Piston seal PTFE, carbon filled, black (pack of 2), default |
| OR | 0905-1420 | PE seals (pack of 2) |
| 7 | G1311-25200 | Pump chamber housing |
| 8 | G1312-60066 | Passive inlet valve 1220/1260 |
| | G1312-60025 | Active inlet valve body, without cartridge (OPTIONAL) |
| | 5062-8562 | Active Inlet Valve Cartridge (400 bar) (OPTIONAL) |
| 9 | G1312-60067 | Outlet valve 1220/1260 |
| 10 | 5042-1303 | Lock screw |
| 11 | G1312-60061 | Purge valve 1260 |
| 12 | 0515-2118 | Pump head screw (M5, 60 mm) |

The Pump Head 1200 SL without Seal Wash (G1312-60056) includes items 1-7, 10 and 12.

For piston seals, see [“Choosing the Right Pump Seals”](#) on page 79.

Pump Head Assembly Without Seal Wash

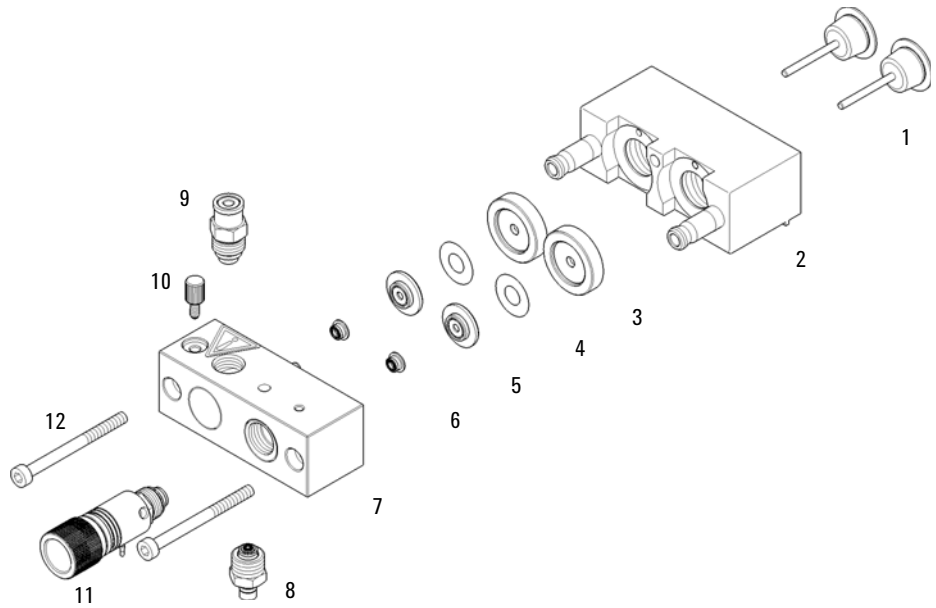


Figure 15 Pump head assembly without seal wash option

10 Parts for Maintenance

Pump Head Assembly with Seal Wash

Pump Head Assembly with Seal Wash

| Item | p/n | Description |
|------|-------------|---|
| | G1312-60045 | Pump head assembly with seal wash |
| 1 | 5063-6586 | Sapphire piston |
| 2 | G1311-60002 | Piston housing |
| 3 | 01018-60027 | Support ring seal wash |
| 4 | 0905-1175 | Wash seal (PTFE) |
| OR | 0905-1718 | Wash Seal PE |
| 5 | 5062-2484 | Gasket, seal wash (pack of 6) |
| 6 | 5042-8952 | Seal holder |
| 7 | 5063-6589 | Piston seal PTFE, carbon filled, black (pack of 2), default |
| OR | 0905-1420 | PE seals (pack of 2) |
| 8 | G1311-25200 | Pump chamber housing |
| 9 | G1312-60066 | Passive inlet valve 1220/1260 |
| | G1312-60025 | Active inlet valve body, without cartridge (OPTIONAL) |
| | 5062-8562 | Active Inlet Valve Cartridge (400 bar) (OPTIONAL) |
| 10 | G1312-60067 | Outlet valve 1220/1260 |
| 11 | 5042-1303 | Lock screw |
| 12 | G1312-60061 | Purge valve 1260 |
| 13 | 0515-2118 | Pump head screw (M5, 60 mm) |
| | G1398A | Active Seal Wash Option Upgrade (includes service) |
| 14 | 5067-4793 | Peristaltic Pump with Fixation Springs |
| | 5065-9978 | Tubing, 1 mm i.d., 3 mm o.d., silicone, 5 m, for seal wash option |
| | 01018-23702 | Insert tool |

Pump Head Assembly with Seal Wash

The Pump head assembly with seal wash (G1312-60045) includes items 1-8, 11 and 13.

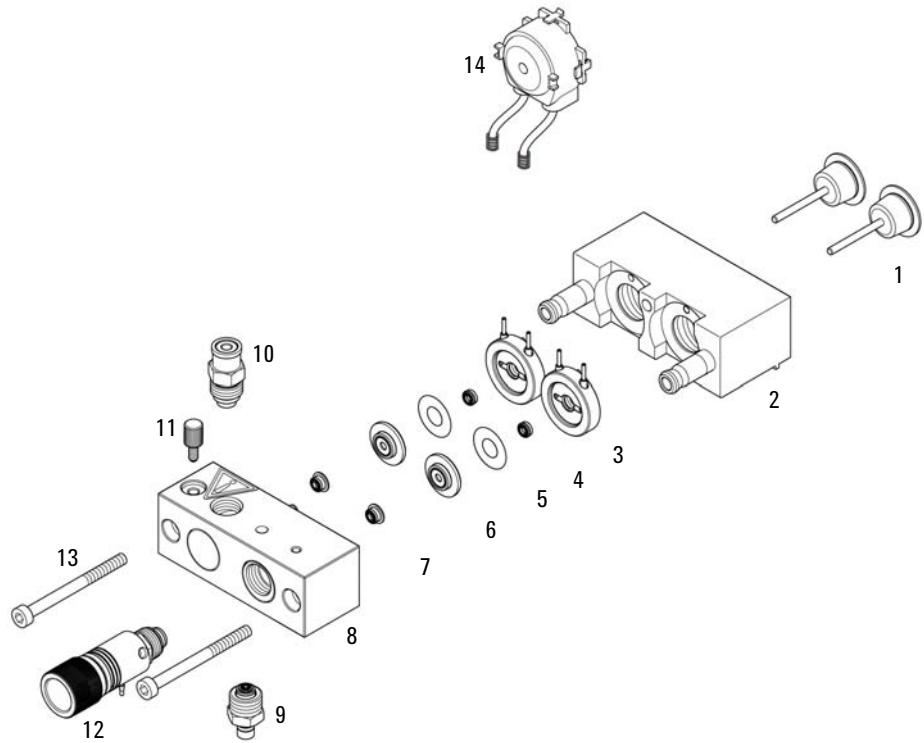


Figure 16 Pump Head with Seal Wash Option

Outlet Valve

| p/n | Description |
|-------------|------------------------|
| G1312-60067 | Outlet valve 1220/1260 |

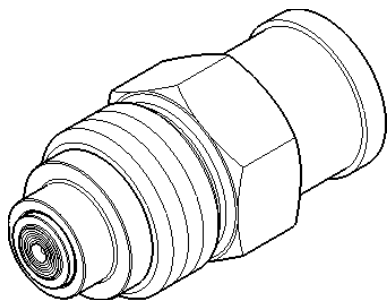


Figure 17 Outlet Valve

Purge Valve Assembly

| Item | p/n | Description |
|------|-------------|------------------------|
| 1 | G1312-60061 | Purge valve 1260 |
| 2 | 01018-22707 | PTFE frits (pack of 5) |
| 3 | 5067-4728 | Seal cap |

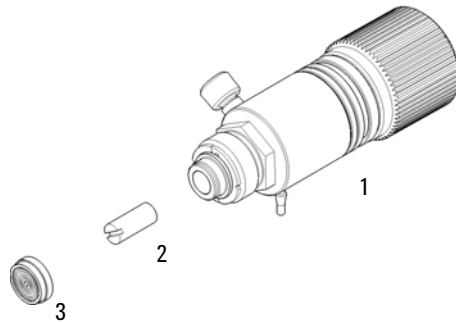


Figure 18 Purge Valve Assembly

Active Inlet Valve Assembly

| Item | p/n | Description |
|------|-------------|---|
| | G5699A | Active Inlet Valve Upgrade Kit includes service and the parts listed below |
| 1 | G1312-60025 | Active inlet valve body, without cartridge |
| 2 | 5062-8562 | Active Inlet Valve Cartridge (400 bar) |
| | G1311-67304 | Connecting tube, MCGV to AIV |

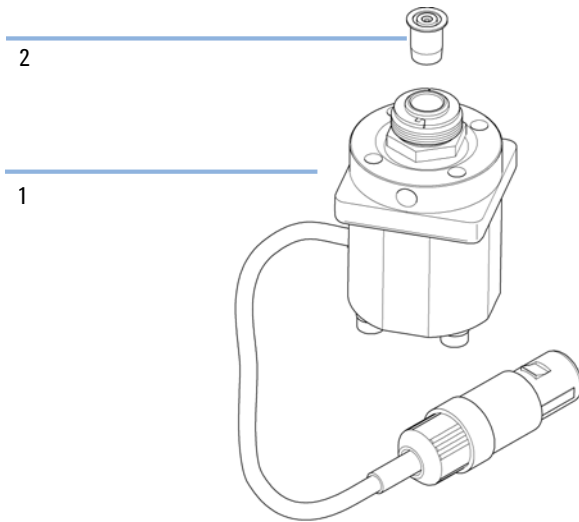


Figure 19 Active Inlet Valve Assembly

HPLC Starter Kit G4201-68707

HPLC Starter Kit incl. 0.17 mm i.d. cap (G4201-68707)

| p/n | Description |
|----------------|--|
| 9301-1420 (3x) | Solvent bottle, transparent |
| 9301-1450 | Solvent bottle, amber |
| 01018-22707 | PTFE frits (pack of 5) |
| 5182-0716 | Screw Cap Vial, 2 mL, amber glass, write-on spot, 100/pk |
| 5182-0717 | Blue screw caps 100/pk |
| 5063-6507 (2x) | Chip, Column I.D. Assy |
| 5041-2168 (2x) | Solvent inlet filter, 20 µm pore size |
| 5065-9939 | Capillary/Fitting Starter Kit 0.17 mm id |

HPLC Starter Kit G4202-68707

HPLC Starter Kit incl. 0.12 mm i.d. cap (G4202-68707)

| p/n | Description |
|----------------|--|
| 9301-1420 (3x) | Solvent bottle, transparent |
| 9301-1450 | Solvent bottle, amber |
| 01018-22707 | PTFE frits (pack of 5) |
| 5182-0716 | Screw Cap Vial, 2 mL, amber glass, write-on spot, 100/pk |
| 5182-0717 | Blue screw caps 100/pk |
| 5063-6507 (2x) | Chip, Column I.D. Assy |
| 5041-2168 (2x) | Solvent inlet filter, 20 µm pore size |
| G1316-80003 | Heater long-down (0.12 mm i.d., 1.6 µL internal volume) |
| 5065-9937 | Capillary/Fitting Starter Kit 0.12 mm id |

HPLC System Tool Kit

The HPLC System Tool Kit (G4203-68708) contains some accessories and tools needed for installation and repair of the module.

| p/n | Description |
|----------------|---|
| 0100-1681 | Adapter syringe/seal wash tube |
| 0100-1710 | Mounting Tool for Tubing Connections |
| 01018-23702 | Insert tool |
| 5023-0240 | Hex driver, ¼", slitted |
| 8710-0060 | Hex-key wrench, 9/64 inch |
| 8710-0510 (2x) | Wrench open 1/4 — 5/16 inch |
| 8710-0641 | Hex key set 1 – 5 mm |
| 8710-0899 | Pozidriv screwdriver |
| 8710-1534 | Wrench, 4 mm both ends, open end |
| 8710-1924 | Wrench open 14 mm |
| 8710-2392 | Hex key 4 mm 15 cm long T-handle |
| 8710-2393 | Hex key 1.5 mm, straight handle 10 cm |
| 8710-2394 | Hex key 9/64 inch 15 cm long T-handle |
| 8710-2409 | Wrench open end, 5/16 – 3/8 inch |
| 8710-2411 | Hex key 3 mm 12 cm long |
| 8710-2412 | Hex key 2.5 mm, 15 cm long, straight handle |
| 8710-2438 | Hex key 2.0 mm |
| 8710-2509 | Screwdriver Torx TX8 |
| 8710-2594 | Double open end wrench 4 mm |
| 9301-0411 | Syringe, Plastic |
| 9301-1337 | Adapter syringe/solvent tube with fitting |

Solvent Cabinet

| Item | p/n | Description |
|------|-------------|------------------------------|
| 1 | 5067-4770 | Solvent Cabinet Kit |
| 2 | 5043-0207 | Name plate 1260 |
| 3 | 5065-9954 | Front panel, solvent cabinet |
| 4 | 5042-8907 | Leak panel |
| 5 | 9301-1420 | Solvent bottle, transparent |
| 6 | 9301-1450 | Solvent bottle, amber |
| 7 | G1311-60003 | Bottle-head assembly |

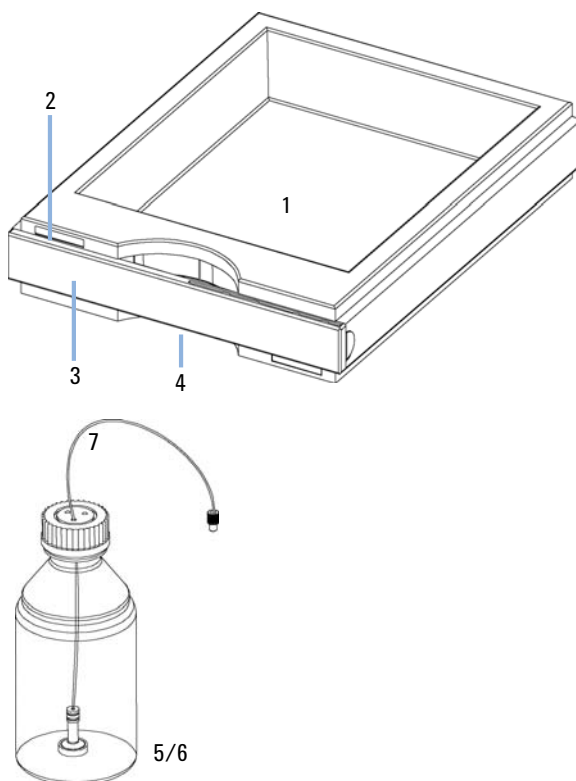


Figure 20 Solvent Cabinet Parts

Bottle Head Assembly

| Item | p/n | Description |
|------|-------------|---------------------------------------|
| | G1311-60003 | Bottle-head assembly |
| 1 | 5063-6598 | Ferrules with lock ring (10/Pk) |
| 2 | 5063-6599 | Tube screw (10/Pk) |
| 3 | | Wire marker |
| 4 | 5062-2483 | Solvent tubing, 5 m |
| 5 | 5062-8517 | Inlet filter adapter (4/Pk) |
| 6 | 5041-2168 | Solvent inlet filter, 20 µm pore size |

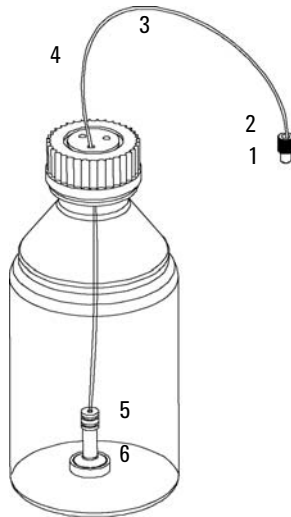


Figure 21 Bottle-Head Assembly Parts

10 Parts for Maintenance

Hydraulic Path of the Quaternary Pump

Hydraulic Path of the Quaternary Pump

| Item | p/n | Description | |
|------|-------------|---|---|
| 1 | G1312-67305 | Outlet capillary, pump to injector | |
| OR | 1 | G1329-87300 | Outlet capillary, pump to thermostatable autosampler |
| | | G1311-60003 | Bottle-head assembly |
| 2 | G1322-67300 | Kit of 4 solvent tubes including labels for connection degasser to MCGV | |
| 3 | G1311-81600 | Capillary, damper to inlet pump chamber 2 | |
| 4 | G1311-81601 | Capillary, outlet valve 1 to damper | |
| 5 | 5067-5378 | Connecting tube, MCGV to PIV | |
| OR | 5 | G1311-67304 | Connecting tube, MCGV to AIV |
| 6 | 5062-2461 | Waste tube, 5 m (reorder pack) | |
| | | 0100-1847 | PEEK adapter 1/4-28 to 10-32 (Adapter AIV to solvent inlet tubes) |
| | | G1311-60006 | Inline filter (OPTIONAL) |

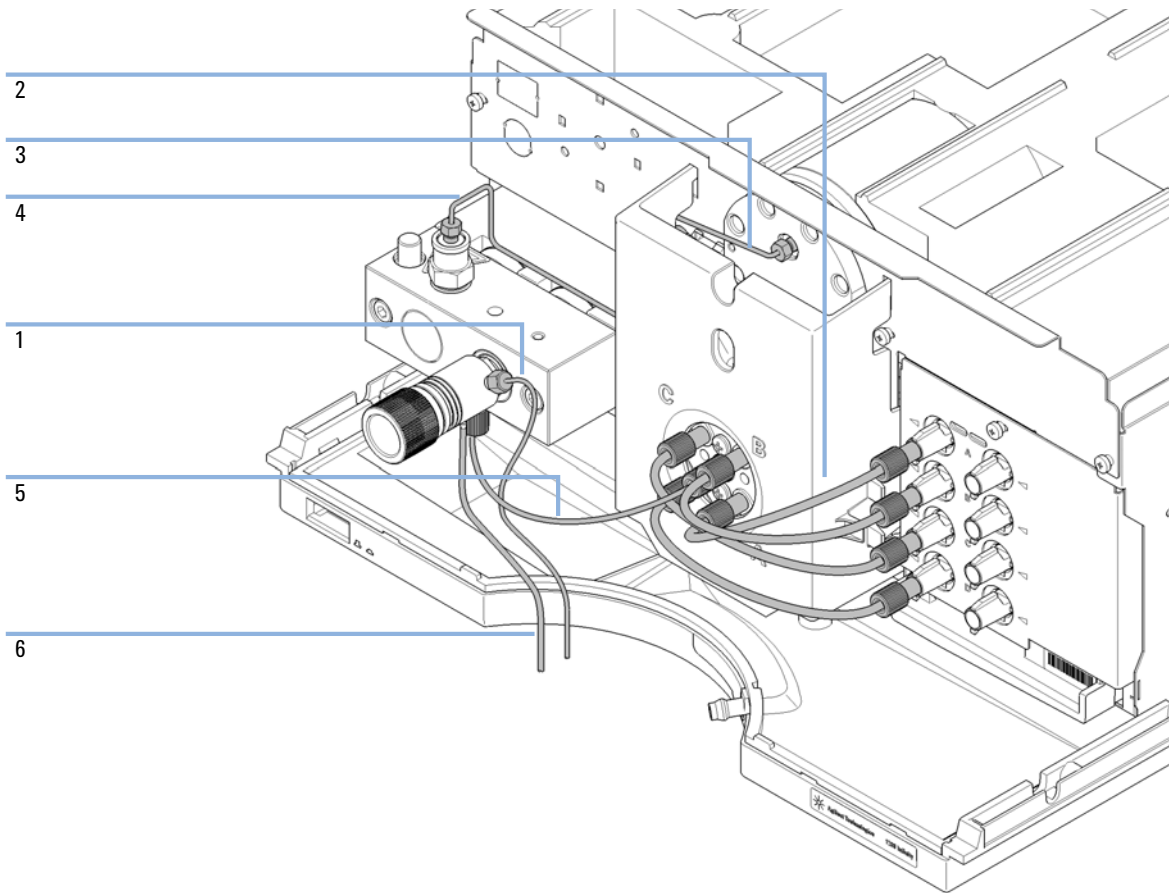


Figure 22 Hydraulic Flow Path of the Quaternary Pump

10 Parts for Maintenance

Hydraulic Path of the Quaternary Pump



11 Identifying Cables

| | |
|--------------------------------|-----|
| Cable Overview | 180 |
| Analog Cables | 182 |
| Remote Cables | 184 |
| BCD Cables | 187 |
| CAN Cable | 189 |
| External Contact Cable | 190 |
| Agilent Module to PC | 191 |
| Agilent 1200 Module to Printer | 192 |

This chapter provides information on cables used with the Agilent 1200 Infinity Series modules.



Cable Overview

NOTE

Never use cables other than the ones supplied by Agilent Technologies to ensure proper functionality and compliance with safety or EMC regulations.

Analog cables

| p/n | Description |
|-------------|---|
| 35900-60750 | Agilent module to 3394/6 integrators |
| 35900-60750 | Agilent 35900A A/D converter |
| 01046-60105 | Analog cable (BNC to general purpose, spade lugs) |

Remote cables

| p/n | Description |
|-------------|---|
| 03394-60600 | Agilent module to 3396A Series I integrators 3396 Series II / 3395A integrator, see details in section " Remote Cables " on page 184 |
| 03396-61010 | Agilent module to 3396 Series III / 3395B integrators |
| 5061-3378 | Remote Cable |
| 01046-60201 | Agilent module to general purpose |

BCD cables

| p/n | Description |
|-------------|------------------------------------|
| 03396-60560 | Agilent module to 3396 integrators |
| G1351-81600 | Agilent module to general purpose |

CAN cables

| p/n | Description |
|-----------|--|
| 5181-1516 | CAN cable, Agilent module to module, 0.5 m |
| 5181-1519 | CAN cable, Agilent module to module, 1 m |

LAN cables

| p/n | Description |
|-----------|---|
| 5023-0203 | Cross-over network cable, shielded, 3 m (for point to point connection) |
| 5023-0202 | Twisted pair network cable, shielded, 7 m (for point to point connection) |

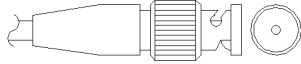
External Contact Cable

| p/n | Description |
|-------------|---|
| G1103-61611 | External contact cable - Agilent module interface board to general purposes |

RS-232 cables

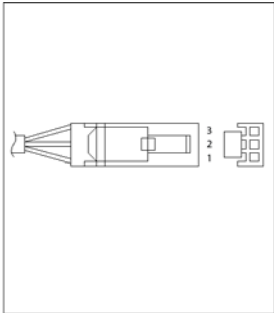
| p/n | Description |
|-------------|---|
| G1530-60600 | RS-232 cable, 2 m |
| RS232-61601 | RS-232 cable, 2.5 m Instrument to PC, 9-to-9 pin (female). This cable has special pin-out, and is not compatible with connecting printers and plotters. It's also called "Null Modem Cable" with full handshaking where the wiring is made between pins 1-1, 2-3, 3-2, 4-6, 5-5, 6-4, 7-8, 8-7, 9-9. |
| 5181-1561 | RS-232 cable, 8 m |

Analog Cables

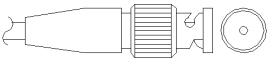


One end of these cables provides a BNC connector to be connected to Agilent modules. The other end depends on the instrument to which connection is being made.

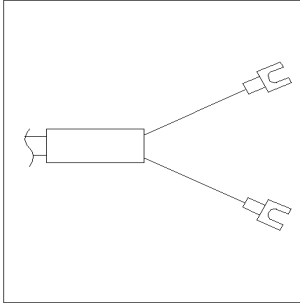
Agilent Module to 3394/6 Integrators

| p/n 35900-60750 | Pin 3394/6 | Pin Agilent module | Signal Name |
|--|------------|--------------------|---------------|
|  | 1 | | Not connected |
| | 2 | Shield | Analog - |
| | 3 | Center | Analog + |
| | | | |
| | | | |
| | | | |

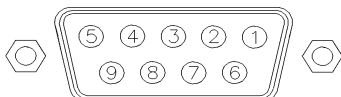
Agilent Module to BNC Connector

| p/n 8120-1840 | Pin BNC | Pin Agilent module | Signal Name |
|---|---------|--------------------|-------------|
|  | Shield | Shield | Analog - |
| | Center | Center | Analog + |
| | | | |

Agilent Module to General Purpose

| p/n 01046-60105 | Pin | Pin Agilent module | Signal Name |
|---|-----|--------------------|---------------|
|  | 1 | | Not connected |
| | 2 | Black | Analog - |
| | 3 | Red | Analog + |
| | | | |
| | | | |
| | | | |
| | | | |

Remote Cables



One end of these cables provides a Agilent Technologies APG (Analytical Products Group) remote connector to be connected to Agilent modules. The other end depends on the instrument to be connected to.

Agilent Module to 3396A Integrators

| p/n 03394-60600 | Pin 3396A | Pin Agilent module | Signal Name | Active (TTL) |
|-----------------|-----------|--------------------|----------------|--------------|
| | 9 | 1 - White | Digital ground | |
| | NC | 2 - Brown | Prepare run | Low |
| | 3 | 3 - Gray | Start | Low |
| | NC | 4 - Blue | Shut down | Low |
| | NC | 5 - Pink | Not connected | |
| | NC | 6 - Yellow | Power on | High |
| | 5,14 | 7 - Red | Ready | High |
| | 1 | 8 - Green | Stop | Low |
| | NC | 9 - Black | Start request | Low |
| | 13, 15 | | Not connected | |

Agilent Module to 3396 Series II / 3395A Integrators

Use the cable Agilent module to 3396A Series I integrators (03394-60600) and cut pin #5 on the integrator side. Otherwise the integrator prints START; not ready.

Agilent Module to 3396 Series III / 3395B Integrators

| p/n 03396-61010 | Pin 33XX | Pin Agilent module | Signal Name | Active (TTL) |
|-----------------|----------|--------------------|----------------|--------------|
| | 9 | 1 - White | Digital ground | |
| | NC | 2 - Brown | Prepare run | Low |
| | 3 | 3 - Gray | Start | Low |
| | NC | 4 - Blue | Shut down | Low |
| | NC | 5 - Pink | Not connected | |
| | NC | 6 - Yellow | Power on | High |
| | 14 | 7 - Red | Ready | High |
| | 4 | 8 - Green | Stop | Low |
| | NC | 9 - Black | Start request | Low |
| | 13, 15 | | Not connected | |

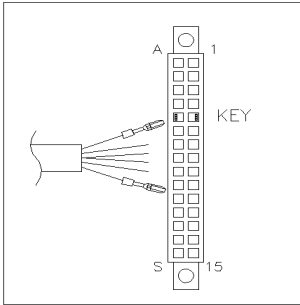
Agilent Module to Agilent 35900 A/D Converters

| p/n 5061-3378 | Pin 35900 A/D | Pin Agilent module | Signal Name | Active (TTL) |
|---------------|---------------|--------------------|----------------|--------------|
| | 1 - White | 1 - White | Digital ground | |
| | 2 - Brown | 2 - Brown | Prepare run | Low |
| | 3 - Gray | 3 - Gray | Start | Low |
| | 4 - Blue | 4 - Blue | Shut down | Low |
| | 5 - Pink | 5 - Pink | Not connected | |
| | 6 - Yellow | 6 - Yellow | Power on | High |
| | 7 - Red | 7 - Red | Ready | High |
| | 8 - Green | 8 - Green | Stop | Low |
| | 9 - Black | 9 - Black | Start request | Low |

11 Identifying Cables

Remote Cables

Agilent Module to General Purpose

| p/n 01046-60201 | Wire Color | Pin Agilent module | Signal Name | Active (TTL) |
|---|------------|--------------------|----------------|--------------|
|  | White | 1 | Digital ground | |
| | Brown | 2 | Prepare run | Low |
| | Gray | 3 | Start | Low |
| | Blue | 4 | Shut down | Low |
| | Pink | 5 | Not connected | |
| | Yellow | 6 | Power on | High |
| | Red | 7 | Ready | High |
| | Green | 8 | Stop | Low |
| | Black | 9 | Start request | Low |

BCD Cables



One end of these cables provides a 15-pin BCD connector to be connected to the Agilent modules. The other end depends on the instrument to be connected to

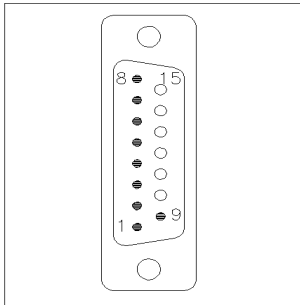
Agilent Module to General Purpose

| p/n G1351-81600 | Wire Color | Pin Agilent module | Signal Name | BCD Digit |
|-----------------|---------------|--------------------|----------------|-----------|
| | Green | 1 | BCD 5 | 20 |
| | Violet | 2 | BCD 7 | 80 |
| | Blue | 3 | BCD 6 | 40 |
| | Yellow | 4 | BCD 4 | 10 |
| | Black | 5 | BCD 0 | 1 |
| | Orange | 6 | BCD 3 | 8 |
| | Red | 7 | BCD 2 | 4 |
| | Brown | 8 | BCD 1 | 2 |
| | Gray | 9 | Digital ground | Gray |
| | Gray/pink | 10 | BCD 11 | 800 |
| | Red/blue | 11 | BCD 10 | 400 |
| | White/green | 12 | BCD 9 | 200 |
| | Brown/green | 13 | BCD 8 | 100 |
| | not connected | 14 | | |
| | not connected | 15 | + 5 V | Low |

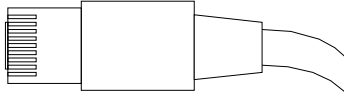
11 Identifying Cables

BCD Cables

Agilent Module to 3396 Integrators

| p/n 03396-60560 | Pin 3396 | Pin Agilent module | Signal Name | BCD Digit |
|---|----------|--------------------|----------------|-----------|
|  | 1 | 1 | BCD 5 | 20 |
| | 2 | 2 | BCD 7 | 80 |
| | 3 | 3 | BCD 6 | 40 |
| | 4 | 4 | BCD 4 | 10 |
| | 5 | 5 | BCD0 | 1 |
| | 6 | 6 | BCD 3 | 8 |
| | 7 | 7 | BCD 2 | 4 |
| | 8 | 8 | BCD 1 | 2 |
| | 9 | 9 | Digital ground | |
| | NC | 15 | + 5 V | Low |

CAN Cable



Both ends of this cable provide a modular plug to be connected to Agilent modules CAN or LAN connectors.

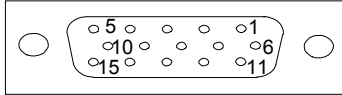
CAN Cables

| p/n | Description |
|-----------|--|
| 5181-1516 | CAN cable, Agilent module to module, 0.5 m |
| 5181-1519 | CAN cable, Agilent module to module, 1 m |

LAN Cables

| p/n | Description |
|-----------|---|
| 5023-0203 | Cross-over network cable, shielded, 3 m (for point to point connection) |
| 5023-0202 | Twisted pair network cable, shielded, 7 m (for point to point connection) |

External Contact Cable



One end of this cable provides a 15-pin plug to be connected to Agilent modules interface board. The other end is for general purpose.

Agilent Module Interface Board to general purposes

| p/n G1103-61611 | Color | Pin Agilent module | Signal Name |
|-----------------|--------------|--------------------|---------------|
| | White | 1 | EXT 1 |
| | Brown | 2 | EXT 1 |
| | Green | 3 | EXT 2 |
| | Yellow | 4 | EXT 2 |
| | Grey | 5 | EXT 3 |
| | Pink | 6 | EXT 3 |
| | Blue | 7 | EXT 4 |
| | Red | 8 | EXT 4 |
| | Black | 9 | Not connected |
| | Violet | 10 | Not connected |
| | Grey/pink | 11 | Not connected |
| | Red/blue | 12 | Not connected |
| | White/green | 13 | Not connected |
| | Brown/green | 14 | Not connected |
| | White/yellow | 15 | Not connected |

Agilent Module to PC

| p/n | Description |
|-------------|---|
| G1530-60600 | RS-232 cable, 2 m |
| RS232-61601 | RS-232 cable, 2.5 m Instrument to PC, 9-to-9 pin (female). This cable has special pin-out, and is not compatible with connecting printers and plotters. It's also called "Null Modem Cable" with full handshaking where the wiring is made between pins 1-1, 2-3, 3-2, 4-6, 5-5, 6-4, 7-8, 8-7, 9-9. |
| 5181-1561 | RS-232 cable, 8 m |

11 Identifying Cables

Agilent 1200 Module to Printer

Agilent 1200 Module to Printer

| p/n | Description |
|-----------|--|
| 5181-1529 | Cable Printer Serial & Parallel, is a SUB-D 9 pin female vs. Centronics connector on the other end (NOT FOR FW UPDATE). For use with G1323 Control Module. |



12 Hardware Information

| | |
|---|-----|
| The Electronics | 194 |
| Firmware Description | 195 |
| Optional Interface Boards | 198 |
| Electrical Connections | 202 |
| Rear View of the Module | 203 |
| Interfaces | 204 |
| Overview Interfaces | 207 |
| Setting the 8-bit Configuration Switch (without On-board) LAN | 211 |
| Communication Settings for RS-232C | 212 |
| Special Settings | 214 |
| Early Maintenance Feedback | 215 |
| Instrument Layout | 216 |

This chapter describes the pump in more detail on hardware and electronics.



The Electronics

The electronics are comprised of four main components:

- The low pressure pump main board (LPM).
- Power supply.

Optional:

- Interface board (BCD/external contacts).
- LAN Communication Card.

Low-Pressure Pump Main Board (LPM)

The board controls all information and activities of all assemblies within the module. The operator enters parameters, changes modes and controls the module through interfaces (CAN, GPIB or RS-232C) connected to the user-interfaces.

The Main Power Supply Assembly

The main power supply comprises a closed assembly (no component-level repair possibility). The power supply provides all DC voltages used in the module. The line voltage can vary in a range from 100 – 120 or 220 – 240 volts AC \pm 10 % and needs no manual setting.

Optional Interface Boards

The Agilent 1200 Series modules have one optional board slot that allows to add an interface board to the modules. Optional interface boards for the Agilent 1200 Series are:

- BCD Board
- LAN Communication Card

Firmware Description

The firmware of the instrument consists of two independent sections:

- a non-instrument specific section, called *resident system*
- an instrument specific section, called *main system*

Resident System

This resident section of the firmware is identical for all Agilent 1100/1200/1220/1260/1290 series modules. Its properties are:

- the complete communication capabilities (CAN, LAN and RS-232C)
- memory management
- ability to update the firmware of the 'main system'

Main System

Its properties are:

- the complete communication capabilities (CAN, LAN and RS-232C)
- memory management
- ability to update the firmware of the 'resident system'

In addition the main system comprises the instrument functions that are divided into common functions like

- run synchronization through APG remote,
- error handling,
- diagnostic functions,
- or module specific functions like
 - internal events such as lamp control, filter movements,
 - raw data collection and conversion to absorbance.

Firmware Updates

Firmware updates can be done using your user interface:

- PC and Firmware Update Tool with local files on the hard disk
- Instant Pilot (G4208A) with files from a USB Flash Disk
- Agilent Lab Advisor software B.01.03 and above

The file naming conventions are:

PPPP_RVVV_XXX.dlb, where

PPPP is the product number, for example, 1315AB for the G1315A/B DAD,

R the firmware revision, for example, A for G1315B or B for the G1315C DAD,

VVV is the revision number, for example 102 is revision 1.02,

XXX is the build number of the firmware.

For instructions on firmware updates refer to section *Replacing Firmware* in chapter "Maintenance" or use the documentation provided with the *Firmware Update Tools*.

NOTE

Update of main system can be done in the resident system only. Update of the resident system can be done in the main system only.

Main and resident firmware must be from the same set.

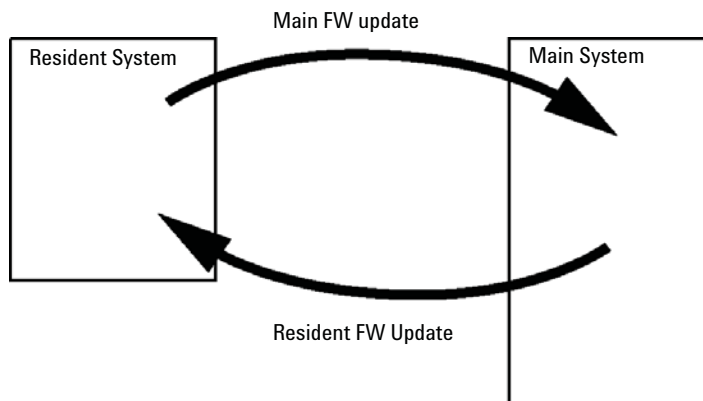


Figure 23 Firmware Update Mechanism

NOTE

Some modules are limited in downgrading due to their main board version or their initial firmware revision. For example, a G1315C DAD SL cannot be downgraded below firmware revision B.01.02 or to a A.xx.xx.

Some modules can be re-branded (e.g. G1314C to G1314B) to allow operation in specific control software environments. In this case the feature set of the target type are use and the feature set of the original are lost. After re-branding (e.g. from G1314B to G1314C), the original feature set is available again.

All these specific informations are described in the documentation provided with the firmware update tools.

The firmware update tools, firmware and documentation are available from the Agilent web.

- http://www.chem.agilent.com/_layouts/agilent/downloadFirmware.aspx?whid=69761

Optional Interface Boards

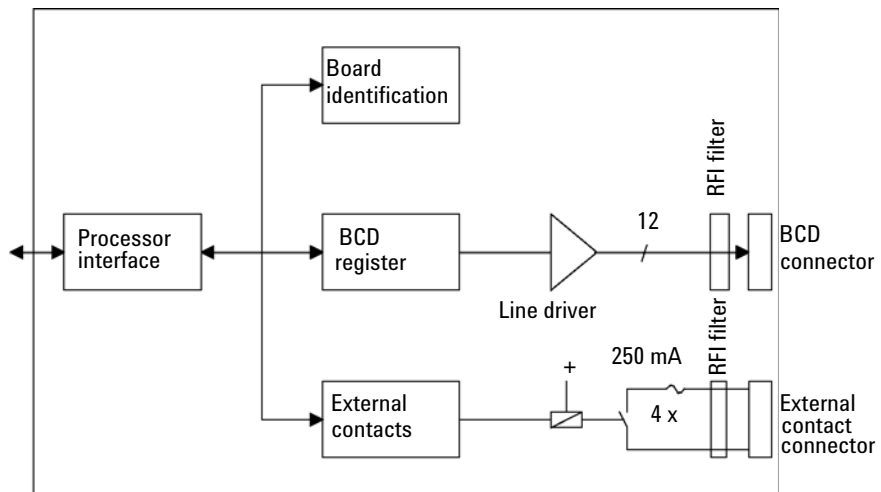
BCD / External Contact Board

The Agilent 1200 Infinity Series modules have one optional board slot that allows to add an interface board to the modules. Some modules do not have this interface slot. Refer to “Interfaces” on page 204 for details.

Optional Interface Boards

| p/n | Description |
|-------------|--|
| G1351-68701 | Interface board (BCD) with external contacts and BCD outputs |
| 2110-0004 | Fuse for BCD board, 250 mA |

The BCD board provides a BCD output for the bottle number of the Agilent 1200 Series autosampler and four external contacts. The external contact closure contacts are relay contacts. The maximum settings are: 30 V (AC/DC); 250 mA (fused).



There are general purpose cables available to connect the BCD output, see “[BCD Cables](#)” on page 187 and the external outputs, see “[External Contact Cable](#)” on page 190 to external devices.

Table 12 Detailed connector layout (1200)

| Pin | Signal name | BCD digit |
|-----|----------------|-----------|
| 1 | BCD 5 | 20 |
| 2 | BCD 7 | 80 |
| 3 | BCD 6 | 40 |
| 4 | BCD 4 | 10 |
| 5 | BCD 0 | 1 |
| 6 | BCD 3 | 8 |
| 7 | BCD 2 | 4 |
| 8 | BCD 1 | 2 |
| 9 | Digital ground | |
| 10 | BCD 11 | 800 |
| 11 | BCD 10 | 400 |
| 12 | BCD 9 | 200 |
| 13 | BCD 8 | 100 |
| 15 | +5V | Low |

LAN Communication Interface Board

The Agilent modules have one optional board slot that allows to add an interface board to the modules. Some modules do not have this interface slot. Refer to [“Interfaces”](#) on page 204 for details.

| p/n | Description |
|--------------------------------|-----------------------|
| G1369B or G1369-60002 | Interface board (LAN) |
| OR G1369C or G1369-60012 | Interface board (LAN) |

NOTE

One board is required per Agilent 1260 Infinity instrument. It is recommended to add the LAN board to the detector with highest data rate.

NOTE

For the configuration of the G1369 LAN Communication Interface card refer to its documentation.

The following cards can be used with the Agilent 1260 Infinity modules.

Table 13 LAN Boards

| Type | Vendor | Supported networks |
|--|----------------------|--|
| Interface board (LAN) (G1369B or G1369-60002) or Interface board (LAN) (G1369C or G1369-60012) | Agilent Technologies | Fast Ethernet, Ethernet/802.3, RJ-45 (10/100Base-TX) <i>recommended for re-ordering</i> |
| LAN Communication Interface board (G1369A or G1369-60001) | Agilent Technologies | Fast Ethernet, Ethernet/802.3, RJ-45 (10/100Base-TX) <i>(obsolete)</i> |
| J4106A ¹ | Hewlett Packard | Ethernet/802.3, RJ-45 (10Base-T) |
| J4105A ¹ | Hewlett Packard | Token Ring/802.5, DB9, RJ-45 (10Base-T) |
| J4100A ¹ | Hewlett Packard | Fast Ethernet, Ethernet/802.3, RJ-45 (10/100Base-TX) + BNC (10Base2) |

¹ These cards may be no longer orderable. Minimum firmware of these Hewlett Packard JetDirect cards is A.05.05.

Recommended LAN Cables

| p/n | Description |
|-----------|---|
| 5023-0203 | Cross-over network cable, shielded, 3 m (for point to point connection) |
| 5023-0202 | Twisted pair network cable, shielded, 7 m (for point to point connection) |

Electrical Connections

- The CAN bus is a serial bus with high speed data transfer. The two connectors for the CAN bus are used for internal module data transfer and synchronization.
- One analog output provides signals for integrators or data handling systems.
- The interface board slot is used for external contacts and BCD bottle number output or LAN connections.
- The REMOTE connector may be used in combination with other analytical instruments from Agilent Technologies if you want to use features such as start, stop, common shut down, prepare, and so on.
- With the appropriate software, the RS-232C connector may be used to control the module from a computer through a RS-232C connection. This connector is activated and can be configured with the configuration switch.
- The power input socket accepts a line voltage of 100 – 240 VAC \pm 10 % with a line frequency of 50 or 60 Hz. Maximum power consumption varies by module. There is no voltage selector on your module because the power supply has wide-ranging capability. There are no externally accessible fuses, because automatic electronic fuses are implemented in the power supply.

NOTE

Never use cables other than the ones supplied by Agilent Technologies to ensure proper functionality and compliance with safety or EMC regulations.

Rear View of the Module

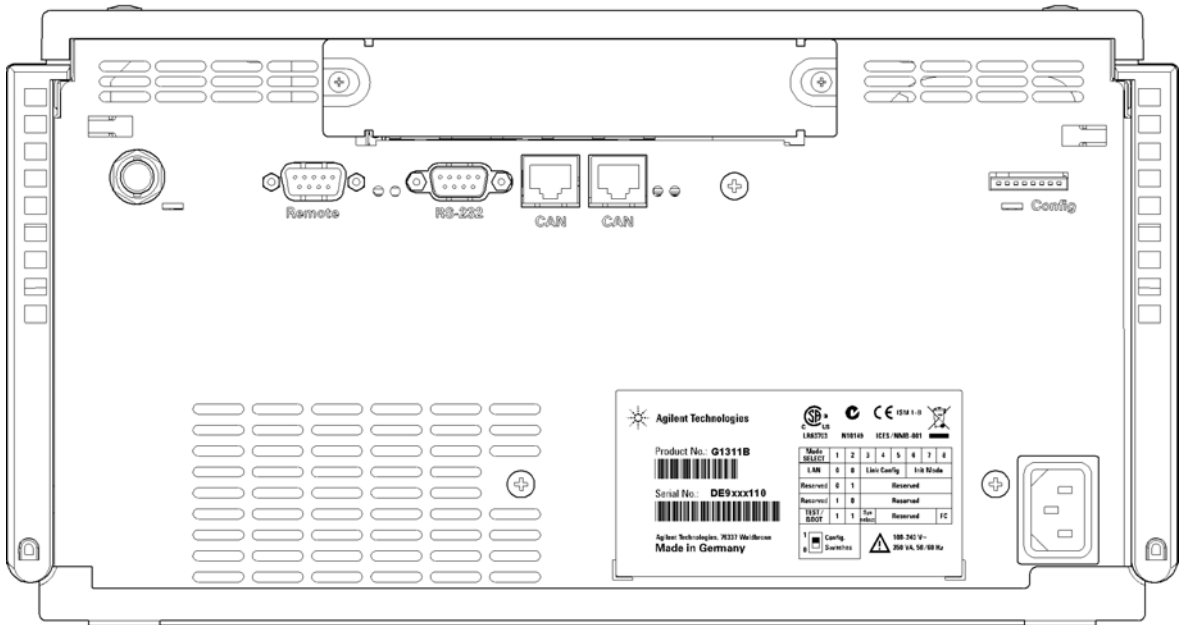


Figure 24 Rear view of the pump

Interfaces

The Agilent 1200 Infinity Series modules provide the following interfaces:

Table 14 Agilent 1200 Infinity Series Interfaces

| Module | CAN | LAN/BCD (optional) | LAN (on-board) | RS-232 | Analog | APG Remote | Special |
|---|-----|-----------------------|-------------------|--------|--------|---------------|--|
| Pumps | | | | | | | |
| G1310B Iso Pump G1311B Quat Pump G1311C Quat Pump VL G1312B Bin Pump K1312B Bin Pump Clinical Ed. G1312C Bin Pump VL 1376A Cap Pump G2226A Nano Pump G5611A Bio-inert Quat Pump | 2 | Yes | No | Yes | 1 | Yes | |
| G4220A/B Bin Pump G4204A Quat Pump | 2 | No | Yes | Yes | No | Yes | CAN-DC- OUT for CAN slaves |
| G1361A Prep Pump | 2 | Yes | No | Yes | No | Yes | CAN-DC- OUT for CAN slaves |
| Samplers | | | | | | | |
| G1329B ALS G2260A Prep ALS | 2 | Yes | No | Yes | No | Yes | THERMOSTAT for G1330B/K1330B |
| G1364B FC-PS G1364C FC-AS G1364D FC- μ S G1367E HiP ALS K1367E HiP ALS Clinical Ed. G1377A HiP micro ALS G2258A DL ALS G5664A Bio-inert FC-AS G5667A Bio-inert Autosampler | 2 | Yes | No | Yes | No | Yes | THERMOSTAT for G1330B/K1330B CAN-DC- OUT for CAN slaves |
| G4226A ALS | 2 | Yes | No | Yes | No | Yes | |

Table 14 Agilent 1200 Infinity Series Interfaces

| Module | CAN | LAN/BCD (optional) | LAN (on-board) | RS-232 | Analog | APG Remote | Special |
|--|-----|-----------------------|-------------------|--------|--------|---------------|-------------------------|
| Detectors | | | | | | | |
| G1314B VWD VL G1314C VWD VL+ | 2 | Yes | No | Yes | 1 | Yes | |
| G1314E/F VWD K1314F Clinical Ed. | 2 | No | Yes | Yes | 1 | Yes | |
| G4212A/B DAD K4212B DAD Clinical Ed. | 2 | No | Yes | Yes | 1 | Yes | |
| G1315C DAD VL+ G1365C MWD G1315D DAD VL G1365D MWD VL | 2 | No | Yes | Yes | 2 | Yes | |
| G1321B FLD K1321B FLD Clinical Ed. G1321C FLD | 2 | Yes | No | Yes | 2 | Yes | |
| G1362A RID | 2 | Yes | No | Yes | 1 | Yes | |
| G4280A ELSD | No | No | No | Yes | Yes | Yes | EXT Contact AUTOZERO |
| Others | | | | | | | |
| G1170A Valve Drive | 2 | No | No | No | No | No | 1 |
| G1316A/C TCC K1316C TCC Clinical Ed. | 2 | No | No | Yes | No | Yes | |
| G1322A DEG K1322A DEG Clinical Ed. | No | No | No | No | No | Yes | AUX |
| G1379B DEG | No | No | No | Yes | No | Yes | |
| G4225A DEG K4225A DEG Clinical Ed. | No | No | No | Yes | No | Yes | |

12 Hardware Information

Interfaces

Table 14 Agilent 1200 Infinity Series Interfaces

| Module | CAN | LAN/BCD (optional) | LAN (on-board) | RS-232 | Analog | APG Remote | Special |
|------------------|-----|--------------------|----------------|--------|--------|------------|--|
| G4227A Flex Cube | 2 | No | No | No | No | No | CAN-DC- OUT for CAN slaves 1 |
| G4240A CHIP CUBE | 2 | Yes | No | Yes | No | Yes | CAN-DC- OUT for CAN slaves THERMOSTAT for G1330A/B (NOT USED), K1330B |

¹ Requires a HOST module with on-board LAN (e.g. G4212A or G4220A with minimum firmware B.06.40 or C.06.40) or with additional G1369C LAN Card

NOTE

The detector (DAD/MWD/FLD/VWD/RID) is the preferred access point for control via LAN. The inter-module communication is done via CAN.

- CAN connectors as interface to other modules
- LAN connector as interface to the control software
- RS-232C as interface to a computer
- REMOTE connector as interface to other Agilent products
- Analog output connector(s) for signal output

Overview Interfaces

CAN

The CAN is inter-module communication interface. It is a 2-wire serial bus system supporting high speed data communication and real-time requirement.

LAN

The modules have either an interface slot for an LAN card (e.g. Agilent G1369B/C LAN Interface) or they have an on-board LAN interface (e.g. detectors G1315C/D DAD and G1365C/D MWD). This interface allows the control of the module/system via a PC with the appropriate control software. Some modules have neither on-board LAN nor an interface slot for a LAN card (e.g. G1170A Valve Drive or G4227A Flex Cube). These are hosted modules and require a Host module with firmware B.06.40 or later or with additional G1369C LAN Card.

NOTE

If an Agilent detector (DAD/MWD/FLD/VWD/RID) is in the system, the LAN should be connected to the DAD/MWD/FLD/VWD/RID (due to higher data load). If no Agilent detector is part of the system, the LAN interface should be installed in the pump or autosampler.

RS-232C (Serial)

The RS-232C connector is used to control the module from a computer through RS-232C connection, using the appropriate software. This connector can be configured with the configuration switch module at the rear of the module. Refer to *Communication Settings for RS-232C*.

NOTE

There is no configuration possible on main boards with on-board LAN. These are pre-configured for

- 19200 baud,
- 8 data bit with no parity and
- one start bit and one stop bit are always used (not selectable).

The RS-232C is designed as DCE (data communication equipment) with a 9-pin male SUB-D type connector. The pins are defined as:

12 Hardware Information

Interfaces

Table 15 RS-232C Connection Table

| Pin | Direction | Function |
|-----|-----------|----------|
| 1 | In | DCD |
| 2 | In | RxD |
| 3 | Out | TxD |
| 4 | Out | DTR |
| 5 | | Ground |
| 6 | In | DSR |
| 7 | Out | RTS |
| 8 | In | CTS |
| 9 | In | RI |

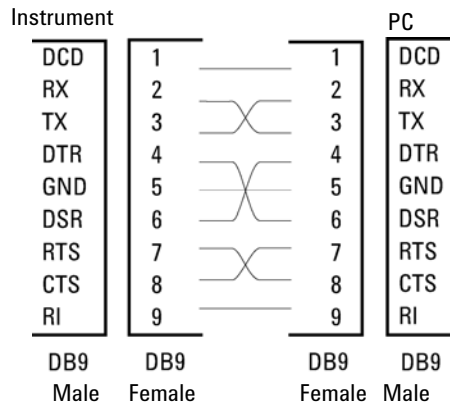


Figure 25 RS-232 Cable

Analog Signal Output

The analog signal output can be distributed to a recording device. For details refer to the description of the module's main board.

APG Remote

The APG Remote connector may be used in combination with other analytical instruments from Agilent Technologies if you want to use features as common shut down, prepare, and so on.

Remote control allows easy connection between single instruments or systems to ensure coordinated analysis with simple coupling requirements.

The subminiature D connector is used. The module provides one remote connector which is inputs/outputs (wired- or technique).

To provide maximum safety within a distributed analysis system, one line is dedicated to **SHUT DOWN** the system's critical parts in case any module detects a serious problem. To detect whether all participating modules are switched on or properly powered, one line is defined to summarize the **POWER ON** state of all connected modules. Control of analysis is maintained by signal readiness **READY** for next analysis, followed by **START** of run and optional **STOP** of run triggered on the respective lines. In addition **PREPARE** and **START REQUEST** may be issued. The signal levels are defined as:

- standard TTL levels (0 V is logic true, + 5.0 V is false),
- fan-out is 10 ,
- input load is 2.2 kOhm against + 5.0 V, and
- output are open collector type, inputs/outputs (wired- or technique).

NOTE

All common TTL circuits operate with a 5 V power supply. A TTL signal is defined as "low" or L when between 0 V and 0.8 V and "high" or H when between 2.0 V and 5.0 V (with respect to the ground terminal).

Table 16 Remote Signal Distribution

| Pin | Signal | Description |
|-----|---------------|--|
| 1 | DGND | Digital ground |
| 2 | PREPARE | (L) Request to prepare for analysis (for example, calibration, detector lamp on). Receiver is any module performing pre-analysis activities. |
| 3 | START | (L) Request to start run / timetable. Receiver is any module performing run-time controlled activities. |
| 4 | SHUT DOWN | (L) System has serious problem (for example, leak: stops pump). Receiver is any module capable to reduce safety risk. |
| 5 | | Not used |
| 6 | POWER ON | (H) All modules connected to system are switched on. Receiver is any module relying on operation of others. |
| 7 | READY | (H) System is ready for next analysis. Receiver is any sequence controller. |
| 8 | STOP | (L) Request to reach system ready state as soon as possible (for example, stop run, abort or finish and stop injection). Receiver is any module performing run-time controlled activities. |
| 9 | START REQUEST | (L) Request to start injection cycle (for example, by start key on any module). Receiver is the autosampler. |

Special Interfaces

There is no special interface for this module.

Setting the 8-bit Configuration Switch (without On-board) LAN

The 8-bit configuration switch is located at the rear of the module.

This module does not have its own on-board LAN interface. It can be controlled through the LAN interface of another module, and a CAN connection to that module.

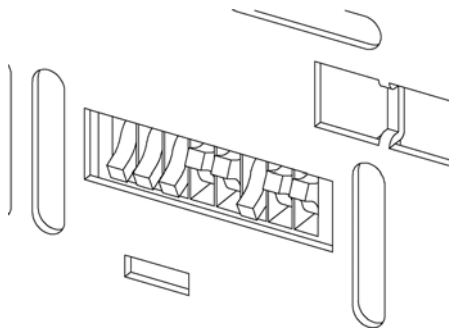


Figure 26 Configuration switch (settings depend on configured mode)

All modules without on-board LAN:

- default should be ALL DIPS DOWN (= best settings)
 - Bootp mode for LAN and
 - 19200 baud, 8 data bit / 1 stop bit with no parity for RS-232
- DIP 1 DOWN and DIP 2 UP allows special RS-232 settings
- for boot/test modes DIPS 1+2 must be UP plus required mode

NOTE

For normal operation use the default (best) settings.

Switch settings provide configuration parameters for serial communication protocol and instrument specific initialization procedures.

NOTE

With the introduction of the Agilent 1260 Infinity, all GPIB interfaces have been removed. The preferred communication is LAN.

12 Hardware Information

Setting the 8-bit Configuration Switch (without On-board) LAN

NOTE

The following tables represent the configuration switch settings for the modules without on-board LAN only.

Table 17 8-bit Configuration Switch (without on-board LAN)

| Mode Select | 1 | 2 | 3 | 4 | 5 | 6 | 7 | 8 |
|-------------|---|---|----------|-----|---|-----------|--------|----|
| RS-232C | 0 | 1 | Baudrate | | | Data Bits | Parity | |
| Reserved | 1 | 0 | Reserved | | | | | |
| TEST/BOOT | 1 | 1 | RSVD | SYS | | RSVD | RSVD | FC |

NOTE

The LAN settings are done on the LAN Interface Card G1369B/C. Refer to the documentation provided with the card.

Communication Settings for RS-232C

The communication protocol used in the column compartment supports only hardware handshake (CTS/RTR).

Switches 1 in down and 2 in up position define that the RS-232C parameters will be changed. Once the change has been completed, the column instrument must be powered up again in order to store the values in the non-volatile memory.

Table 18 Communication Settings for RS-232C Communication (without on-board LAN)

| Mode Select | 1 | 2 | 3 | 4 | 5 | 6 | 7 | 8 |
|-------------|---|---|----------|---|---|-----------|--------|---|
| RS-232C | 0 | 1 | Baudrate | | | Data Bits | Parity | |

Use the following tables for selecting the setting which you want to use for RS-232C communication. The number 0 means that the switch is down and 1 means that the switch is up.

Setting the 8-bit Configuration Switch (without On-board) LAN

Table 19 Baudrate Settings (without on-board LAN)

| Switches | | | Baud Rate | Switches | | | Baud Rate |
|----------|---|---|-----------|----------|---|---|-----------|
| 3 | 4 | 5 | | 3 | 4 | 5 | |
| 0 | 0 | 0 | 9600 | 1 | 0 | 0 | 9600 |
| 0 | 0 | 1 | 1200 | 1 | 0 | 1 | 14400 |
| 0 | 1 | 0 | 2400 | 1 | 1 | 0 | 19200 |
| 0 | 1 | 1 | 4800 | 1 | 1 | 1 | 38400 |

Table 20 Data Bit Settings (without on-board LAN)

| Switch 6 | Data Word Size |
|----------|---------------------|
| 0 | 7 Bit Communication |
| 1 | 8 Bit Communication |

Table 21 Parity Settings (without on-board LAN)

| Switches | | Parity |
|----------|---|-------------|
| 7 | 8 | |
| 0 | 0 | No Parity |
| 0 | 1 | Odd Parity |
| 1 | 1 | Even Parity |

One start bit and one stop bit are always used (not selectable).

Per default, the module will turn into 19200 baud, 8 data bit with no parity.

Special Settings

The special settings are required for specific actions (normally in a service case).

Boot-Resident

Firmware update procedures may require this mode in case of firmware loading errors (main firmware part).

If you use the following switch settings and power the instrument up again, the instrument firmware stays in the resident mode. It is not operable as a module. It only uses basic functions of the operating system for example, for communication. In this mode the main firmware can be loaded (using update utilities).

Table 22 Boot Resident Settings (without on-board LAN)

| Mode Select | SW1 | SW2 | SW3 | SW4 | SW5 | SW6 | SW7 | SW8 |
|-------------|-----|-----|-----|-----|-----|-----|-----|-----|
| TEST/BOOT | 1 | 1 | 0 | 0 | 1 | 0 | 0 | 0 |

Forced Cold Start

A forced cold start can be used to bring the module into a defined mode with default parameter settings.

CAUTION

Loss of data

Forced cold start erases all methods and data stored in the non-volatile memory. Exceptions are calibration settings, diagnosis and repair log books which will not be erased.

→ Save your methods and data before executing a forced cold start.

If you use the following switch settings and power the instrument up again, a forced cold start has been completed.

Table 23 Forced Cold Start Settings (without on-board LAN)

| Mode Select | SW1 | SW2 | SW3 | SW4 | SW5 | SW6 | SW7 | SW8 |
|-------------|-----|-----|-----|-----|-----|-----|-----|-----|
| TEST/BOOT | 1 | 1 | 0 | 0 | 0 | 0 | 0 | 1 |

Early Maintenance Feedback

Maintenance requires the exchange of components which are subject to wear or stress. Ideally, the frequency at which components are exchanged should be based on the intensity of usage of the module and the analytical conditions, and not on a predefined time interval. The early maintenance feedback (**EMF**) feature monitors the usage of specific components in the instrument, and provides feedback when the user-selectable limits have been exceeded. The visual feedback in the user interface provides an indication that maintenance procedures should be scheduled.

EMF Counters

EMF counters increment with use and can be assigned a maximum limit which provides visual feedback in the user interface when the limit is exceeded. Some counters can be reset to zero after the required maintenance procedure.

Using the EMF Counters

The user-settable **EMF** limits for the **EMF Counters** enable the early maintenance feedback to be adapted to specific user requirements. The useful maintenance cycle is dependent on the requirements for use. Therefore, the definition of the maximum limits need to be determined based on the specific operating conditions of the instrument.

Setting the EMF Limits

The setting of the **EMF** limits must be optimized over one or two maintenance cycles. Initially the default **EMF** limits should be set. When instrument performance indicates maintenance is necessary, take note of the values displayed by the **EMF counters**. Enter these values (or values slightly less than the displayed values) as **EMF** limits, and then reset the **EMF counters** to zero. The next time the **EMF counters** exceed the new **EMF** limits, the **EMF** flag will be displayed, providing a reminder that maintenance needs to be scheduled.

Instrument Layout

The industrial design of the module incorporates several innovative features. It uses Agilent's E-PAC concept for the packaging of electronics and mechanical assemblies. This concept is based upon the use of expanded polypropylene (EPP) layers of foam plastic spacers in which the mechanical and electronic boards components of the module are placed. This pack is then housed in a metal inner cabinet which is enclosed by a plastic external cabinet. The advantages of this packaging technology are:

- virtual elimination of fixing screws, bolts or ties, reducing the number of components and increasing the speed of assembly/disassembly,
- the plastic layers have air channels molded into them so that cooling air can be guided exactly to the required locations,
- the plastic layers help cushion the electronic and mechanical parts from physical shock, and
- the metal inner cabinet shields the internal electronics from electromagnetic interference and also helps to reduce or eliminate radio frequency emissions from the instrument itself.



13 Appendix

| | |
|---|-----|
| General Safety Information | 218 |
| The Waste Electrical and Electronic Equipment Directive | 221 |
| Batteries Information | 222 |
| Radio Interference | 223 |
| Sound Emission | 224 |
| Agilent Technologies on Internet | 225 |






This chapter provides addition information on safety, legal and web.



General Safety Information

Safety Symbols

Table 24 Safety Symbols

| Symbol | Description |
|---|---|
|  | The apparatus is marked with this symbol when the user should refer to the instruction manual in order to protect risk of harm to the operator and to protect the apparatus against damage. |
|  | Indicates dangerous voltages. |
|  | Indicates a protected ground terminal. |
|  | Indicates eye damage may result from directly viewing the light produced by the deuterium lamp used in this product. |
|  | The apparatus is marked with this symbol when hot surfaces are available and the user should not touch it when heated up. |

WARNING

A WARNING

alerts you to situations that could cause physical injury or death.

- Do not proceed beyond a warning until you have fully understood and met the indicated conditions.

CAUTION

A CAUTION

alerts you to situations that could cause loss of data, or damage of equipment.

- Do not proceed beyond a caution until you have fully understood and met the indicated conditions.

General Safety Information

The following general safety precautions must be observed during all phases of operation, service, and repair of this instrument. Failure to comply with these precautions or with specific warnings elsewhere in this manual violates safety standards of design, manufacture, and intended use of the instrument. Agilent Technologies assumes no liability for the customer's failure to comply with these requirements.

WARNING

Ensure the proper usage of the equipment.

The protection provided by the equipment may be impaired.

→ The operator of this instrument is advised to use the equipment in a manner as specified in this manual.

Safety Standards

This is a Safety Class I instrument (provided with terminal for protective earthing) and has been manufactured and tested according to international safety standards.

Operation

Before applying power, comply with the installation section. Additionally the following must be observed.

Do not remove instrument covers when operating. Before the instrument is switched on, all protective earth terminals, extension cords, auto-transformers, and devices connected to it must be connected to a protective earth via a ground socket. Any interruption of the protective earth grounding will cause a potential shock hazard that could result in serious personal injury. Whenever it is likely that the protection has been impaired, the instrument must be made inoperative and be secured against any intended operation.

Make sure that only fuses with the required rated current and of the specified type (normal blow, time delay, and so on) are used for replacement. The use of repaired fuses and the short-circuiting of fuse holders must be avoided.

Some adjustments described in the manual, are made with power supplied to the instrument, and protective covers removed. Energy available at many points may, if contacted, result in personal injury.

Any adjustment, maintenance, and repair of the opened instrument under voltage should be avoided whenever possible. When inevitable, this has to be carried out by a skilled person who is aware of the hazard involved. Do not attempt internal service or adjustment unless another person, capable of rendering first aid and resuscitation, is present. Do not replace components with power cable connected.

Do not operate the instrument in the presence of flammable gases or fumes. Operation of any electrical instrument in such an environment constitutes a definite safety hazard.

Do not install substitute parts or make any unauthorized modification to the instrument.

Capacitors inside the instrument may still be charged, even though the instrument has been disconnected from its source of supply. Dangerous voltages, capable of causing serious personal injury, are present in this instrument. Use extreme caution when handling, testing and adjusting.

When working with solvents, observe appropriate safety procedures (for example, goggles, safety gloves and protective clothing) as described in the material handling and safety data sheet by the solvent vendor, especially when toxic or hazardous solvents are used.

The Waste Electrical and Electronic Equipment Directive

Abstract

The Waste Electrical and Electronic Equipment (WEEE) Directive (2002/96/EC), adopted by EU Commission on 13 February 2003, is introducing producer responsibility on all electric and electronic appliances starting with 13 August 2005.

NOTE

This product complies with the WEEE Directive (2002/96/EC) marking requirements. The affixed label indicates that you must not discard this electrical/electronic product in domestic household waste.

Product Category:

With reference to the equipment types in the WEEE Directive Annex I, this product is classed as a Monitoring and Control Instrumentation product.



NOTE

Do not dispose off in domestic household waste

To return unwanted products, contact your local Agilent office, or see www.agilent.com for more information.

Batteries Information

WARNING

Lithium batteries may not be disposed-off into the domestic waste. Transportation of discharged Lithium batteries through carriers regulated by IATA/ICAO, ADR, RID, IMDG is not allowed.

Danger of explosion if battery is incorrectly replaced.

- Discharged Lithium batteries shall be disposed off locally according to national waste disposal regulations for batteries.
 - Replace only with the same or equivalent type recommended by the equipment manufacturer.
-



WARNING

Lithiumbatteri - Eksplosionsfare ved fejlagtig håndtering.

Udskiftning må kun ske med batteri af samme fabrikat og type.

- Lever det brugte batteri tilbage til leverandøren.
-

WARNING

Lithiumbatteri - Eksplosionsfare.

Ved udskiftning benyttes kun batteri som anbefalt av apparatfabrikanten.

- Brukt batteri returneres apparatleverandøren.
-

NOTE

Bij dit apparaat zijn batterijen geleverd. Wanneer deze leeg zijn, moet u ze niet weggooien maar inleveren als KCA.

Radio Interference

Cables supplied by Agilent Technologies are screened to provide optimized protection against radio interference. All cables are in compliance with safety or EMC regulations.

Test and Measurement

If test and measurement equipment is operated with unscreened cables, or used for measurements on open set-ups, the user has to assure that under operating conditions the radio interference limits are still met within the premises.

Sound Emission

Manufacturer's Declaration

This statement is provided to comply with the requirements of the German Sound Emission Directive of 18 January 1991.

This product has a sound pressure emission (at the operator position) < 70 dB.

- Sound Pressure $L_p < 70$ dB (A)
- At Operator Position
- Normal Operation
- According to ISO 7779:1988/EN 27779/1991 (Type Test)

Agilent Technologies on Internet

For the latest information on products and services visit our worldwide web site on the Internet at:

<http://www.agilent.com>

Index

8

8-bit configuration switch
without On-Board LAN 211

A

active inlet valve cartridge 158
active inlet valve 158, 170
active seal wash 10, 78
adapter 158
Agilent Lab Advisor software 89
Agilent Lab Advisor 89
Agilent
on internet 225
AIV fuse 105
algae growth 73
alternative seal material 79
ambient non-operating temperature 23
ambient operating temperature 23
analog output 25
analog signal 208
analog
cable 182
apg remote 209
AUTO mode 15

B

ball-screw drive 12
battery
safety information 222
BCD board
external contacts 198
BCD
cable 187

bench space 22
blockage 107
board
HP JetDirect card 200
boards
LAN card 200
bottle head assembly 175
buffer application 55
buffer solution 10, 153

C

cable
analog 182
BCD 187
CAN 189
external contact 190
interface 41
LAN 189
remote 184
RS-232 191
cables
analog 180
BCD 180
CAN 181
external contact 181
LAN 181
overview 180
remote 180
RS-232 181
CAN
cable 189
changing solvents 50
cleaning 133
Communication settings
RS-232C 212

compensation sensor open 100
compensation sensor short 100
composition precision 24
composition range 24
compressibility compensation 15, 24, 80
condensation 22
configuration
one stack 32
connections, flow 44
control software 43, 43

D

damaged parts 29
defect on arrival 28
degasser limit not reached 115
degasser signal fail 115
degasser, when to use 76
delay volume 24
delivery checklist 29
dimensions 23
dual-piston in-series design 11

E

electrical connections
descriptions of 202
electronic waste 221
electrostatic discharge (ESD) 156
EMF
early maintenance feedback 215
error messages, degasser limit not reached 115
error messages, degasser signal fail 115
error messages

- AIV fuse 105
- compensation sensor open 100
- compensation sensor short 100
- fan failed 101
- ignition without cover 101, 101
- index adjustment 112
- index limit 111
- index missing 112
- initialization failed 113
- inlet-valve missing 108
- leak sensor open 99
- leak sensor short 99
- leak 98
- lost CAN partner 97
- MCGV fuse 105
- missing pressure reading 104
- motor-drive power 107
- pressure above upper limit 102
- pressure below lower limit 103
- pressure signal missing 103
- pump error 102
- pump head missing 111
- remote timeout 96
- servo restart failed 110
- shutdown 95
- solvent zero counter 102
- stroke length 113
- temperature limit exceeded 109
- temperature out of range 108
- timeout 94
- valve failed 106
- wait timeout 114
- wrong pump configuration 104
- exchanging
 - active inlet valve cartridge 158
 - active inlet valve 158
 - inlet valve 132
 - multi channel gradient valve (MCGV) 153
 - optional interface board 156
 - outlet valve 137, 132
- passive inlet valve 135
- pistons 132
- pump seals 132
- purge valve frit 139, 132
- purge valve 139, 132
- seal wash cartridge 160
- external contact
 - cable 190
- external contacts
 - BCD board 198
- F**
- fan failed 101
- firmware
 - description 195
 - main system 195
 - resident system 195
 - update tool 196
 - updates 196, 162, 162
 - upgrade/downgrade 162
 - upgrade/downgrade 162
- flow accuracy 24
- flow connections 44
- flow precision 24
- flow range 24
- frequency range 23
- G**
- general error messages 94
- gradient formation 24
- gradient valve 153
- H**
- hints for successful use 55
- HP JetDirect card 200
- humidity 23
- hydraulic path 176
- hydraulic system 24
- I**
- index adjustment 112
- index limit 111
- index missing 112
- initialization failed 113
- initialization 14
- inlet-valve missing 108
- installation, pump module 39
- installation
 - bench space 22
- instrument layout 216
- interface boards, optional 194
- interface cables 41
- interfaces 204
- internet 225
- introduction to the pump 10
- L**
- LAN
 - cable 189
 - communication interface board 200
- leak rate test
 - evaluating results 126
 - running the test 126
- leak sensor open 99
- leak sensor short 99
- leak 98
- line frequency 23
- line voltage 23
- lithium batteries 222
- lost CAN partner 97
- low-pressure pump main board (LPM) 194
- M**
- main power supply 194
- maintenance
 - feedback 215

Index

- overview 132
 - replacing firmware 162, 162
 - MCGV fuse 105
 - MCGV 11
 - message
 - ignition without cover 101, 101
 - remote timeout 96
 - missing parts 29
 - missing pressure reading 104
 - motor-drive power 107
 - multi channel gradient valve (MCGV) 153
- ## N
- non-operating altitude 23
 - non-operating temperature 23
- ## O
- operating Altitude 23
 - operating temperature 23
 - operational hints, MCGV 77
 - operational pressure range 24
 - optimization
 - stack configuration 32
 - optional interface board 156, 194
 - outlet valve 137, 168
 - overview, pump 11
- ## P
- packaging
 - damaged 28
 - parts identification
 - cables 179
 - parts
 - active inlet valve 170
 - bottle head assembly 175
 - damaged 29
 - hydraulic path 176
 - missing 29
 - outlet valve 168
 - pump head with seal wash 166
 - pump head without seal wash 164
 - solvent cabinet 174
 - system tool kit 173
 - passive inlet valve 135
 - pH range 24
 - physical specifications 23
 - piston chamber 11
 - piston 12, 55
 - power consideration 20
 - power consumption 23
 - power cords 21
 - power supply indicator 86
 - power switch 40
 - pressure above upper limit 102
 - pressure below lower limit 103
 - pressure pulsation 15, 24, 80
 - pressure range 79
 - pressure signal missing 103
 - pressure, operating range 24
 - priming
 - with a pump 49
 - proportioning valve, high-speed 11
 - PTFE frit 139
 - pump error messages 102
 - pump head assembly
 - no seal wash 164
 - seal wash 166
 - pump head missing 111
 - pump piston 55
 - purge valve frit 55
 - purge valve 139
- ## R
- radio interference 223
 - reassembling the pump head 150
 - recommended pH range 24
 - remote
 - cable 184
 - removing
 - pump head assembly 141
 - repairs
 - replacing firmware 162, 162
 - RS-232C
 - cable 191
 - communication settings 212
- ## S
- safety class I 219
 - safety information
 - lithium batteries 222
 - safety
 - general information 219
 - standards 23
 - symbols 218
 - sapphire piston 12
 - seal wash cartridge
 - exchanging 160
 - seal wash 10, 11, 78
 - when to use 78
 - seal, alternative material 79
 - seal
 - wear-in 152
 - servo restart failed 110
 - setable flow range 24
 - shutdown 95
 - simple repairs 130
 - site requirements
 - power cords 21
 - snap fasteners 45
 - solvent cabinet 55, 174
 - solvent filter
 - checking 134
 - replacing 134
 - solvent filters
 - prevent blocking 73

- solvent inlet filters 55
- solvent zero counter 102
- solvents, change 50
- sound emission 224
- special interfaces 210
- special settings
 - boot-resident 214
 - forced cold start 214
- specification
 - physical 23
- status indicator 87
- stroke length 113
- stroke volume 12, 15
- system pressure test, evaluating results 122
- system pressure test 85, 119
 - running the test 121
- system setup and installation
 - optimizing stack configuration 32
- system tool kit 173

T

- temperature limit exceeded 109
- temperature out of range 108
- temperature sensor 98
- test functions 84
- timeout 94
- troubleshooting
 - error messages 84, 93
 - status indicators 84, 86

U

- unpacking the pump 28
- user interfaces 88

V

- vacuum degasser 10
- valve failed 106

- valve frit 139
- variable reluctance motor 12
- variable stroke volume 15
- voltage range 23

W

- wait timeout 114
- waste
 - electrical and electronic equipment 221
- wear-in
 - procedure 152
- WEEE directive 221
- weight 23
- wrong pump configuration 104

In This Book

This manual contains technical information about the Agilent 1260 Infinity Quaternary Pump VL (G1311C). The manual describes the following:

- introduction,
- site requirements and specifications,
- installing the pump,
- using the pump,
- optimizing performance,
- troubleshooting and diagnostics,
- maintenance,
- parts and materials for maintenance,
- identifying cables,
- hardware information,
- appendix.

© Agilent Technologies 2010-2012, 2013

Printed in Germany
11/2013



G1311-90015
Rev. B



Agilent Technologies