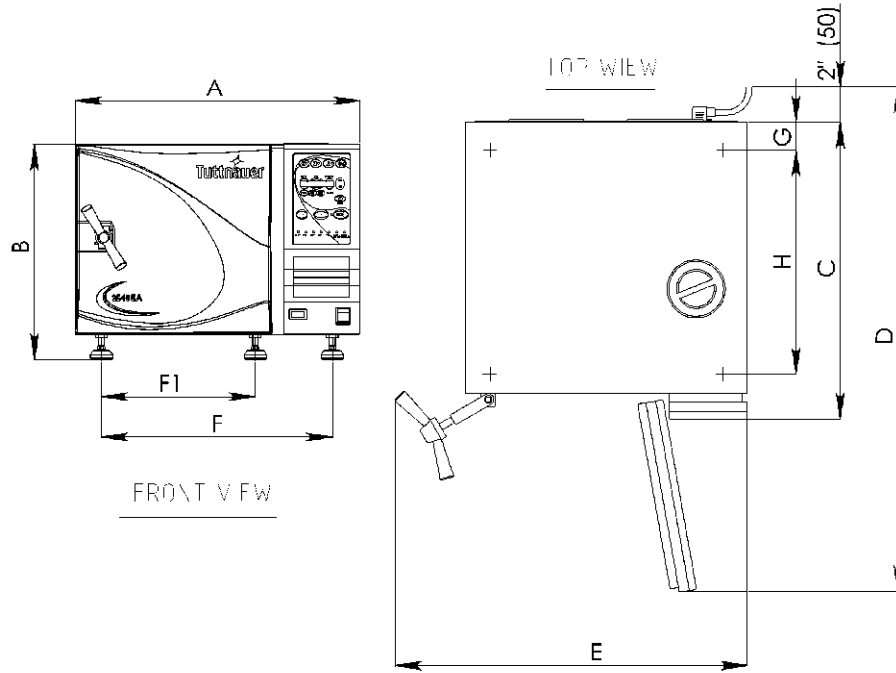


## 2.9 Specifications



**Overall Dimensions**

Model		1730		2340		2540		3140		3850		3870	
		mm	in	mm	in	mm	in	mm	in	mm	in	mm	in
Overall Dimensions	A	440	17.4	510	20.0	510	20.0	590	23.2	660	26.0	660	26.0
	B	305	12.0	365	14.4	365	14.4	450	17.7	525	20.7	525	20.7
	C	455	17.9	540	21.5	545	21.5	566	21.9	695	27.5	875	34.5
Maximum Dimensions (door open)	D	750	29.5	910	35.8	910	35.8	990	39.0	1155	45.5	1335	53.0
	E	560	22.0	630	24.8	655	25.8	755	29.7	815	32.0	815	32.0
Distance Between Supporting Legs	F	234	9.2	299	11.8	299	11.8	371	14.6	451	17.8	451	17.8
	F1	339	13.4	422	16.6	422	16.6	488	19.2	562	22.1	562	22.1
	G	50	2.0	50	2.0	50	2.0	50	2.0	50	2.0	50	2.0
	H	315	12.4	400	15.8	400	15.8	400	15.2	555	2.0	725	2.0
Reservoir Volume		3 lit.	0.8 gal.	3 lit.	0.8 gal.	3 lit.	0.8 gal.	3.0 lit.	0.8 gal.	6 lit.	1.6 gal.	6 lit.	1.6 gal.
Minimum Water Vol. in Reservoir		0.8 lit.	0.21 gal.	0.8 lit.	0.21 gal.	0.8 lit.	0.21 gal.	0.8 lit.	0.21 gal.	2.0 lit.	0.53 gal.	2.0 lit.	0.53 gal.
Max. Allowable Working Pressure (MAWP)	2.76 bar (40 psi)												
Load No. Counter	Counting from 0 to 250 and nullifies.												

**2.10 Technical Specifications**

Model	Chamber Dimensions DIA x D		Volume of Chamber	Volume of Mineral Free Water Reservoir	Tray Dimensions W X D X H		No. of Trays	Printer (Optional)	No. of Standard Cassettes (Optional)		Shipping Weight	Shipping Volume
					Half	Full						
<b>1730</b>	17 x 34 cm (7" x 13")	7.5 liters. (2 US gal.)	3.0 liters. (0.66 US gal.)	12 x 29.5 x 2 cm (4.7" x 11.6" x 0.8")	3	No	2	—	25 kgs. (55 lbs.)	0.18 m <sup>3</sup> (6.35 cu.f.)		
<b>2340</b>	23 x 47 cm (9" x 18")	19 liters. (5 US gal.)	3.0 liters. (0.66 US gal.)	17 x 41.5 x 2cm (6.7" x 16.3" x 0.8")	3	Yes	2	2	36 kgs. (79 lbs.)	0.27m <sup>3</sup> (9.4 cu.f.)		
<b>2540</b>	25.4 x 47.5cm (10" x 19")	23 liters. (6 US gal.)	3.0 liters. (0.66 US gal.)	17 x 41.5 x 2 cm (6.7" x 16.3" x 0.8")	4	Yes	3	3	48 kgs. (106 lbs.)	0.27m <sup>3</sup> (9.4 cu. f.)		
<b>3140</b>	31 x 39.1 (12" x 15")	34.4 liters (7.8 US gal.)	3.0 liters. (0.66 US gal.)	25.6 x 40.8 x 2.5 cm (10.1" x 16.1" x 1") 19.8 x 40.8 x 2.2 cm (7.8" x 16.1" x 1")	2	Yes	4	4	60 kgs (132 lbs.)	0.35 m <sup>3</sup> (12.4 cu.f)		
<b>3850</b>	38 x 58 cm. (15" x 23")	65 liters. (17 US gal)	7.5 liters. (2.0 US gal.)	28 x 50 x 2.5 cm (11" x 20 " x 1") 35 x 50 x 2.5cm (14" x 20 " x 1")	2	Yes	—	10	89 kgs. (196 lbs.)	0.63 m <sup>3</sup> (22.2cu.f.)		
<b>3870</b>	38x76 cm (15" x 30")	84 liters. (22 US gal.)	7.5 liters. (2.0 US gal.)	28 x 67 x 2.5cm (11" x 26" x 1") 35 x 67 x 2.5 (14" x 26" x 1")	2	Yes	—	15	102 kgs. (225 lbs.)	0.76m <sup>3</sup> (26.8cu.f)		