



**Thermo Fisher Scientific**

# **FIBER*Lite*<sup>™</sup> F14-6x250**

**Instruction manual**

50119991-3

September 2009

# IMPORTANT!

Please reference this page for the most up-to-date information on the following\*

- web site addresses
- contact information
- copyright and trademark information

*\*All subsequent pages in this manual may have incorrect web site addresses and contact information.*

©2013 Thermo Fisher Scientific Inc. All rights reserved. HERAEUS is a registered trademark of Heraeus Holding GmbH licensed to Thermo Fisher Scientific. Delrin, TEFLON, and Viton are registered trademarks of DuPont. Noryl is a registered trademark of SABIC. POLYCLEAR is a registered trademark of Hongye CO., Ltd. Hypaque is a registered trademark of Amersham Health As. RULON A and Tygon are registered trademarks of Saint-Gobain Performance Plastics. Alconox is a registered trademark of Alconox. Ficoll is a registered trademark of GE Healthcare. Haemo-Sol is a registered trademark of Haemo-Sol. Triton X-100 is a registered trademark of Sigma-Aldrich Co. LLC. All other trademarks are the property of Thermo Fisher Scientific Inc. and its subsidiaries.

Manufacturer:  
Thermo Fisher Scientific  
Robert-Bosch-Straße 1  
D - 63505 Langenselbold  
Germany

Thermo Fisher Scientific Inc. provides this document to its customers with a product purchase to use in the product operation. This document is copyright protected and any reproduction of the whole or any part of this document is strictly prohibited, except with the written authorization of Thermo Fisher Scientific Inc.

The contents of this document are subject to change without notice. All technical information in this document is for reference purposes only. System configurations and specifications in this document supersede all previous information received by the purchaser.

**Thermo Fisher Scientific Inc. makes no representations that this document is complete, accurate or error-free and assumes no responsibility and will not be liable for any errors, omissions, damage or loss that might result from any use of this document, even if the information in the document is followed properly.**

This document is not part of any sales contract between Thermo Fisher Scientific Inc. and a purchaser. This document shall in no way govern or modify any Terms and Conditions of Sale, which Terms and Conditions of Sale shall govern all conflicting information between the two documents

[thermoscientific.com](http://thermoscientific.com)

Australia +61 39757 4300  
Austria +43 1 801 40 0  
Belgium +32 53 73 42 41  
China +800 810 5118 or  
+400 650 5118  
France +33 2 2803 2180  
Germany national toll free 0800 1 536 376  
Germany international +49 6184 90 6000

India toll free 1800 22 8374  
India +91 22 6716 2200  
Italy +32 02 95059 552  
Japan +81 3 5826 1616  
Netherlands +31 76 579 55 55  
New Zealand +64 9 980 6700  
Nordic/Baltic/CIS countries  
+358 9 329 10200

Russia +7 812 703 42 15  
Spain/Portugal +34 93 223 09 18  
Switzerland +41 44 454 12 22  
UK/Ireland +44 870 609 9203  
USA/Canada +1 866 984 3766

Other Asian countries +852 2885 4613  
Countries not listed +49 6184 90 6000

**Thermo**  
SCIENTIFIC  
Part of Thermo Fisher Scientific

# Table of Contents

<b>Preface</b> .....	<b>iii</b>
<b>Scope of Supply</b> .....	<b>iii</b>
<b>Precautions</b> .....	<b>iii</b>
<b>Chapter 1 Rotor Specifications</b> .....	<b>1-1</b>
Heraeus .....	1-2
230V 50Hz/60Hz ventilated .....	1-2
230V 50Hz/60Hz refrigerated .....	1-2
120V 60Hz ventilated .....	1-3
120V 60Hz refrigerated .....	1-3
Sorvall .....	1-4
230V 50Hz/60Hz ventilated .....	1-4
230V 50Hz/60Hz refrigerated .....	1-4
120V 60Hz ventilated .....	1-5
120V 60Hz refrigerated .....	1-5
100V 50Hz/60Hz ventilated .....	1-6
100V 50Hz/60Hz refrigerated .....	1-6
<b>Chapter 2 Accessories</b> .....	<b>2-1</b>
<b>Chapter 3 AutoLock™</b> .....	<b>3-1</b>
Rotor Installation .....	3-2
Removing the Rotor .....	3-3
<b>Chapter 4 Rotor Loading</b> .....	<b>4-1</b>
Before Run .....	4-2
Proper Loading .....	4-2
Improper Loading .....	4-3
Maximum Loading .....	4-4
<b>Chapter 5 Aerosol-tight Applications</b> .....	<b>5-1</b>
Basic Principles .....	5-2
Fill Level .....	5-2
Checking the Aerosol-Tightness .....	5-2
<b>Chapter 6 Maintenance and Care</b> .....	<b>6-1</b>
Cleaning intervals .....	6-2
Cleaning .....	6-2
Disinfection .....	6-3
Decontamination .....	6-4
Autoclaving .....	6-5
Service of Thermo Fisher Scientific .....	6-5

<b>RCF-Values .....</b>	<b>A-1</b>
<b>Chemical Compatibility Chart .....</b>	<b>B-1</b>
<b>Warranty and recommended Service Life .....</b>	<b>C-1</b>
<b>Contact Information .....</b>	<b>D-1</b>

## Preface

Before starting to use the rotor, read through these instruction manual carefully and follow the instructions.

The information contained in these instruction manual is the property of Thermo Fisher Scientific; it is forbidden to copy or pass on this information without explicit approval.

Failure to follow the instructions and safety information in this instruction manual will result in the expiration of the seller's warranty.

## Scope of Supply

Article Number		Quantity	Check
75003662	FIBERLite™ F14-6x250	1	<input type="checkbox"/>
76003500	Rubber seal grease	1	<input type="checkbox"/>
70009824	Anti-corrosion oil	1	<input type="checkbox"/>
50119991	Instruction Manual	1	<input type="checkbox"/>

If any parts are missing, please contact the nearest Thermo Fisher Scientific representative.

## Precautions

In order to ensure safe operation of the FIBERLite™ F14-6x250, the following general safety regulations must be followed:

- Do not remove the magnet at the rotor bottom
- Do not use rotors which show any signs of corrosion and/or cracks.
- Use only with rotors that have been loaded properly.
- Never overload the rotor.

## Preface

- Use only accessories which have been approved by Thermo Fisher Scientific. Exceptions to this rule are commercially available glass or plastic centrifuge tubes, provided they have been approved for the speed or the RCF value of the rotor.
- Please observe the safety instructions.

Please pay particular attention to the following aspects:

- Rotor installation: Check that the rotor is locked properly into place before operating the centrifuge.
- Always balance the samples.

Maximum sample density at maximum speed:  $1,2 \frac{g}{ml}$



This symbol refers to general hazards.

ATTENTION means that material damage could occur.

WARNING means that injuries or material damage or contamination could occur.



This symbol refers to biological hazards.

Observe the information contained in the instruction manual to keep yourself and your environment safe.

# Rotor Specifications

## Contents

- “Heraeus” on page 1-2
- “Sorvall” on page 1-4

# Heraeus

**Table 1-1.** 230V 50Hz/60Hz ventilated

Centrifuge	Heraeus Multifuge X3	Heraeus Multifuge X3F
Catalog #	75004500	75004530
Weight empty [kg] of rotor	6,6	6,6
Maximum permissible load [g]	6x420	6x420
maximum speed $n_{max}$ [rpm]	11000	11000
maximum RCF value at $n_{max}$	18533	18533
max. / min. radius [cm]	13,7 / 3,7	13,7 / 3,7
Pitch angle [°]	23	23
Accel. / braking time [s]	115 / 85	115 / 85
sample heating at $n_{max}$ [° C] referred to ambient temperature of 23 °C, running time 60 minutes	17	17
aerosol-tight	no	no
max temperature for autoclaving °C	121	121

**Table 1-2.** 230V 50Hz/60Hz refrigerated

Centrifuge	Heraeus Multifuge X3R	Heraeus Multifuge X3FR
Catalog #	75004515	75004536
Weight empty [kg] of rotor	6,6	6,6
Maximum permissible load [g]	6x420	6x420
maximum speed $n_{max}$ [rpm]	11000	11000
maximum RCF value at $n_{max}$	18533	18533
max. / min. radius [cm]	13,7 / 3,7	13,7 / 3,7
Pitch angle [°]	23	23
Accel. / braking time [s]	110 / 85	110 / 85
aerosol-tight	no	no
max temperature for autoclaving °C	121	121



**Table 1-3.** 120V 60Hz ventilated

<b>Centrifuge</b>	<b>Heraeus Multifuge X3</b>	<b>Heraeus Multifuge X3F</b>
Catalog #	75004501	75004531
Weight empty [kg] of rotor	6,6	6,6
Maximum permissible load [g]	6x420	6x420
maximum speed $n_{max}$ [rpm]	10000	10000
maximum RCF value at $n_{max}$	15317	15317
max. / min. radius [cm]	13,7 / 3,7	13,7 / 3,7
Pitch angle [°]	23	23
Accel. / braking time [s]	130 / 85	130 / 85
sample heating at $n_{max}$ [° C] referred to ambient temperature of 23 °C, running time 60 minutes	15	15
aerosol-tight	no	no
max temperature for autoclaving °C	121	121

**Table 1-4.** 120V 60Hz refrigerated

<b>Centrifuge</b>	<b>Heraeus Multifuge X3R</b>	<b>Heraeus Multifuge X3FR</b>
Catalog #	75004516	75004537
Weight empty [kg] of rotor	6,6	6,6
Maximum permissible load [g]	6x420	6x420
maximum speed $n_{max}$ [rpm]	10000	10000
maximum RCF value at $n_{max}$	15317	15317
max. / min. radius [cm]	13,7 / 3,7	13,7 / 3,7
Pitch angle [°]	23	23
Accel. / braking time [s]	125 / 85	125 / 85
aerosol-tight	no	no
max temperature for autoclaving °C	121	121

# Sorvall

**Table 1-5.** 230V 50Hz/60Hz ventilated

Centrifuge	Sorvall Legend XT	Sorvall Legend XF
Catalog #	75004505	75004532
Weight empty [kg] of rotor	6,6	6,6
Maximum permissible load [g]	6x420	6x420
maximum speed $n_{max}$ [rpm]	11000	11000
maximum RCF value at $n_{max}$	18533	18533
max. / min. radius [cm]	13,7 / 3,7	13,7 / 3,7
Pitch angle [°]	23	23
Accel. / braking time [s]	115 / 85	115 / 85
sample heating at $n_{max}$ [° C] referred to ambient temperature of 23 °C, running time 60 minutes	17	17
aerosol-tight	no	no
max temperature for autoclaving °C	121	121

**Table 1-6.** 230V 50Hz/60Hz refrigerated

Centrifuge	Sorvall Legend XTR	Sorvall Legend XFR
Catalog #	75004520	75004538
Weight empty [kg] of rotor	6,6	6,6
Maximum permissible load [g]	6x420	6x420
maximum speed $n_{max}$ [rpm]	11000	11000
maximum RCF value at $n_{max}$	18533	18533
max. / min. radius [cm]	13,7 / 3,7	13,7 / 3,7
Pitch angle [°]	23	23
Accel. / braking time [s]	110 / 85	110 / 85
aerosol-tight	no	no
max temperature for autoclaving °C	121	121

**Table 1-7.** 120V 60Hz ventilated

<b>Centrifuge</b>	<b>Sorvall Legend XT</b>	<b>Sorvall Legend XF</b>
Catalog #	75004506	75004533
Weight empty [kg] of rotor	6,6	6,6
Maximum permissible load [g]	6x420	6x420
maximum speed $n_{max}$ [rpm]	10000	10000
maximum RCF value at $n_{max}$	15317	15317
max. / min. radius [cm]	13,7 / 3,7	13,7 / 3,7
Pitch angle [°]	23	23
Accel. / braking time [s]	130 / 85	130 / 85
sample heating at $n_{max}$ [° C] referred to ambient temperature of 23 °C, running time 60 minutes	15	15
aerosol-tight	no	no
max temperature for autoclaving °C	121	121

**Table 1-8.** 120V 60Hz refrigerated

<b>Centrifuge</b>	<b>Sorvall Legend XTR</b>	<b>Sorvall Legend XFR</b>
Catalog #	75004521	75004539
Weight empty [kg] of rotor	6,6	6,6
Maximum permissible load [g]	6x420	6x420
maximum speed $n_{max}$ [rpm]	10000	10000
maximum RCF value at $n_{max}$	15317	15317
max. / min. radius [cm]	13,7 / 3,7	13,7 / 3,7
Pitch angle [°]	23	23
Accel. / braking time [s]	125 / 85	125 / 85
aerosol-tight	no	no
max temperature for autoclaving °C	121	121

## 1 Rotor Specifications

Sorvall

**Table 1-9.** 100V 50Hz/60Hz ventilated

Centrifuge	Sorvall Legend XT	Sorvall Legend XF
Catalog #	75004507	75004534
Weight empty [kg] of rotor	6,6	6,6
Maximum permissible load [g]	6x420	6x420
maximum speed $n_{max}$ [rpm]	10000	10000
maximum RCF value at $n_{max}$	15317	15317
max. / min. radius [cm]	13,7 / 3,7	13,7 / 3,7
Pitch angle [°]	23	23
Accel. / braking time [s]	145 / 85	145 / 85
sample heating at $n_{max}$ [°C] referred to ambient temperature of 23 °C, running time 60 minutes	15	15
aerosol-tight	no	no
max temperature for autoclaving °C	121	121

**Table 1-10.** 100V 50Hz/60Hz refrigerated

Centrifuge	Sorvall Legend XTR	Sorvall Legend XFR
Catalog #	75004522	75004540
Weight empty [kg] of rotor	6,6	6,6
Maximum permissible load [g]	6x420	6x420
maximum speed $n_{max}$ [rpm]	10000	10000
maximum RCF value at $n_{max}$	15317	15317
max. / min. radius [cm]	13,7 / 3,7	13,7 / 3,7
Pitch angle [°]	23	23
Accel. / braking time [s]	125 / 85	125 / 85
aerosol-tight	no	no
max temperature for autoclaving °C	121	121

# Accessories

## Contents

- „Rotor data“ on page 2-2
- „Accessories“ on page 2-2

## F14-6x250LE Fixed Angle Carbon Fiber Rotor

Rotor Specifications	
Capacity (ml)	6 x 250
Tube Dimensions (mm)	62 x 125
Angle °	23
Maximum Speed (rpm)	11,000*
K Factor	2578
Net Weight (kg)	6,6
* Max Speed may vary depending on centrifuge unit.	
RCF/Radius	RCF (x g)
Maximum	17.180
Minimum	5.001
	Radius (cm)
Maximum	12,7
Minimum	3,7



F14-6x250LE	
Cat. No.	Description
75003662	F14-6x250LE Carbon Fiber Rotor

Accessories	
Cat. No.	Description
099-062153	Lid Assembly
021-062153	O-ring Refresher Kit

Tube Ordering Information															
Cat. No.	Tube Vol. (ml)	Vol. Fill (ml)	Description	Qty.	Max. Speed (rpm)	Dims ØxL (mm)	Sealing Assembly Required:			Adapters Required:			Accessories Required:		
							Cat. No.	Qty /Pkg	Description	Cat. No.	Qty /Pkg	No. of Places	Cat. No.	Qty /Pkg	No. of Places
3141-0250	250	250	PP Oak Ridge Bottle	4	11.000	61x134	Included	4	PP Sealing	-	-	-	-	-	-
3140-0250	250	250	PC OakRidge Bottle	4	11.000	61x134	Included	4	PP Sealing	-	-	-	-	-	-
334959	50	50	Nunc Conical	25	-	30x121	Included	25	PP Sealing	03072	1	1	-	-	-
3139-0050	50	50	PP Oak Ridge Tube	10	11.000	29x114	Included	10	PP Sealing	010-0138	2	1	-	-	-
3138-0050	50	50	PC Oak Ridge Tube	10	11.000	29x114	Included	10	PP Sealing	010-0138	2	1	-	-	-
3114-0050	50	50	Teflon Oak Ridge Tube	2	11.000	29x114	Included	2	PP Sealing	010-0138	2	1	-	-	-
-	30	-	Glass Tube	-	-	24x105	-	-	-	00449	1	3	-	-	-
366036	15	15	Nunc Conical	50	-	17x120	Included	50	PP Sealing	00456	1	5	-	-	-
-	10	-	Blood Collection	-	-	16X100	-	-	-	00389	1	7	-	-	-
3139-0010	10	8	PP Oak Ridge Tube	10	11.000	16x82	Included	10	PP Sealing	00389	1	7	-	-	-
3138-0010	10	8	PC Oak Ridge Tube	10	11.000	16x82	Included	10	PP Sealing	00389	1	7	-	-	-
-	7	-	Blood Collection	-	-	13x100	-	-	-	00369 + 00456	1	5	-	-	-
-	5	-	Blood Collection	-	-	13x75	-	-	-	00388	1	12	-	-	-
-	5	-	RIA Tubes	-	-	13x75	-	-	-	00388	1	12	-	-	-

# AutoLock™

## Contents

- “Rotor Installation” on page 3-2
- “Removing the Rotor” on page 3-3

## Rotor Installation



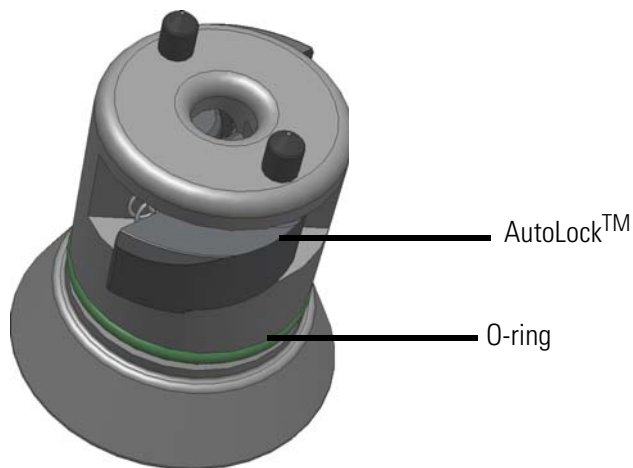
**CAUTION** Unapproved or incorrectly combined accessories can cause serious damage to the centrifuge.

This rotor is equipped with an AutoLock™-system.

This system is used to automatically lock the rotor to the centrifuge spindle. The rotor does not have to be bolted onto the centrifuge spindle.

Proceed as follows:

1. Open the lid of the centrifuge and if necessary remove any dust, foreign objects or residue from the chamber.  
AutoLock™ and o-ring must be clean and undamaged.



**Figure 1.** AutoLock™

2. Hold the rotor over the centrifuge spindle and let it slide slowly down the centrifuge spindle. The rotor clicks automatically into place.



**CAUTION** Do not force the rotor onto the centrifuge spindle. If the rotor is very light, then it may be necessary to press it onto the centrifuge spindle with a small amount of pressure.

3. Check if the rotor is properly installed by lifting slightly on the handle. If the rotor can be pulled up, then it must be reclamped to the centrifuge spindle.



**WARNING** If the rotor cannot be properly locked in place after several attempts, then the AutoLock™ is defective and you are not permitted to operate the rotor. Check for any damage to the rotor, damaged rotors must not be used. Keep the hub area clear of objects.





**CAUTION** Check that the rotor is properly locked on the centrifuge spindle before each use by pulling it a its handle.



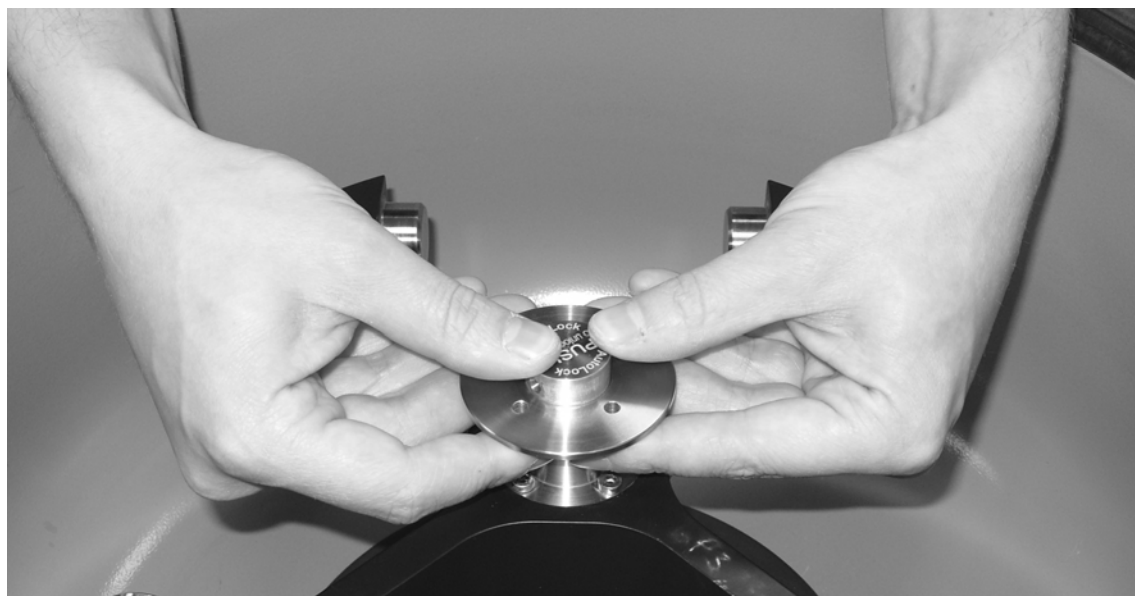
Be sure to check all seals before starting any aerosol-tight applications.

4. Close the centrifuge door.

## Removing the Rotor

To remove the rotor, proceed as follows:

1. Open the centrifuge door.
2. Grab the rotor handle with both hands and press against the green AutoLock™ button. At the same time, pull the rotor directly upwards with both hands and remove it from the centrifuge spindle. Make sure not to jam the rotor while doing this.



# Rotor Loading

## Contents

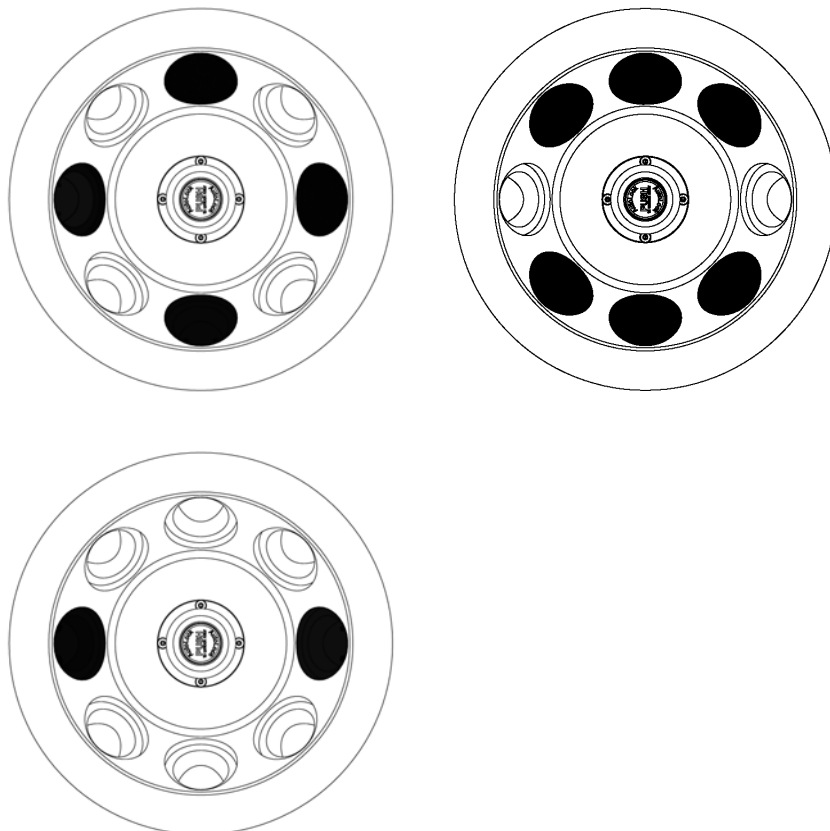
- “Before Run” on page 4-2
- “Proper Loading” on page 4-2
- “Improper Loading” on page 4-3
- “Maximum Loading” on page 4-4

## Before Run

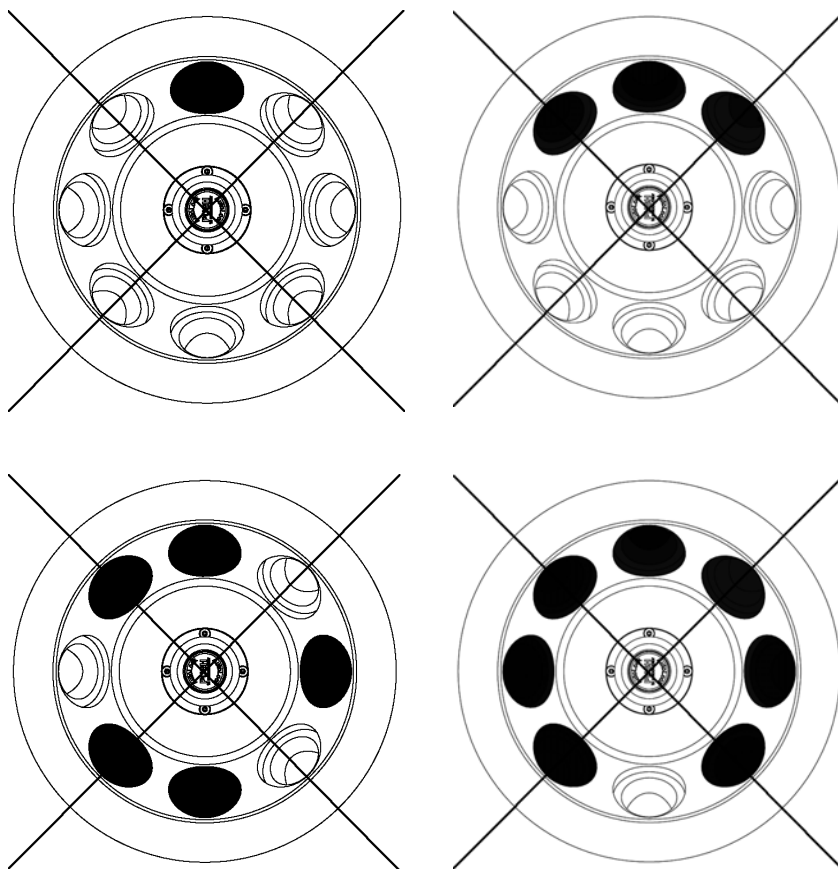
1. Please read and observe the safety instructions contained in these operating instructions and in the instructions for use.
2. Check the rotor and all accessory parts for damages such as cracks, scratches or traces of corrosion.
3. Check the rotor chamber, the centrifuge spindle and the AutoLock™.
4. Check the rotor's suitability using the chemical compatibility chart on [page B-1](#).
5. Make sure the tubes or bottles do not touch the lid.

## Proper Loading

To ensure safe operation of the centrifuge, the rotor must be evenly loaded at all times.



## Improper Loading



## Maximum Loading

The rotor can run at high speeds. The rotor design has sufficient reserve stability even when spinning at top speed.

The safety system of the centrifuge requires that you symmetrically balance the tubes in the rotor. This refers to each cavity.

There are two options available for centrifuging samples whose weight, including adaptor, exceeds the maximum permissible load:

- Reduce the fill level.
- Reduce the speed.

Use this formula:

$$n_{\text{adm}} = n_{\text{max}} \sqrt{\frac{\text{Maximum permissible load}}{\text{Effective load}}}$$

$n_{\text{adm}}$  = admissible speed

$n_{\text{max}}$  = maximum speed

# Aerosol-tight Applications

## Contents

- “Basic Principles” on page 5-2
- “Fill Level” on page 5-2
- “Checking the Aerosol-Tightness” on page 5-2

## Basic Principles



**CAUTION** When centrifuging hazardous samples, do not open aerosol-tight rotors or buckets unless placed in a safety cabinet. Always bear in mind the maximum permitted fill levels.



Be sure to check all seals before starting any aerosol-tight applications.

- Check that the sample containers are well suited for the desired centrifugation process.

## Fill Level

The tubes are only to be filled to a level which ensures that the sample is unable to reach the top of the tube during centrifugation. Therefore fill the tube only 2/3 of the rated level.

## Checking the Aerosol-Tightness

The aerosol tightness testing of the rotors and buckets depend on the microbiological test process in accordance with the EN 61010-2-020 Appendix AA.

Whether or not a rotor is aerosol-tight depends primarily on proper handling.

Check as needed to make sure your rotor is aerosol-tight.

The careful inspection of the seals and seal surfaces for signs of wear and damage such as cracks, scratches and embrittlement is extremely important.

Aerosol-tight applications are not possible if the lids are open.

Aerosol-tightness requires the correct operation when filling the sample vessels and closing the rotor lid.

## Quick Test

As a quick test, it is possible to test the aerosol-tightness of fixed-angle rotors using the following process:

1. Lubricate all seals lightly.  
Always use the special grease 7600 3500 when lubricating the seals.
2. Fill the cavities with approx. 10 ml of carbonated mineral water.
3. Close the rotor as explained in the handling instructions.
4. Shake the rotor vigorously using your hands.  
This releases the carbonic acid gas which is bound in the water, resulting in excess pressure. Do not apply pressure to the lid when doing so.

Leaks can be detected by escaping water or the sound of escaping gas.

Replace the seals if you detect any leaks. Then repeat the test.

5. Dry the rotor, rotor lid and the cover seal.



**CAUTION** Prior to each use, the seals in the rotor are to be inspected in order to assure that they are correctly seated and are not worn or damaged. Damaged seals are to be replaced immediately. When loading the rotor, ensure that the rotor lid closes securely. Damaged or clouded rotor covers are to be replaced immediately.



# Maintenance and Care

## Contents

- “Cleaning intervals” on page 6-2
- “Cleaning” on page 6-2
- “Disinfection” on page 6-3
- “Decontamination” on page 6-4
- “Autoclaving” on page 6-5
- “Service of Thermo Fisher Scientific” on page 6-5

## Cleaning intervals

For the sake of personal, environmental, and material protection, it is your duty to clean and if necessary disinfect the centrifuge on a regular basis.

Maintenance	Recommended interval
Clean rotor chamber	daily or when polluted
Clean rotor	daily or when polluted
Accessories	daily or when polluted
Cabinet	Once per month
Ventilation holes	Every six months



**CAUTION** Refrain from using any other cleaning or decontamination procedure than those recommended here, if you are not entirely sure that the intended procedure is safe for the equipment.  
Use only approved cleansers.  
If in doubt, contact Thermo Fisher Scientific.

## Cleaning

When cleaning centrifug

- Use warm water with a neutral solvent.
- Never use caustic cleaning agents such as soap suds, phosphoric acid, bleaching solutions or scrubbing powder.
- Rinse the cavities out thoroughly.
- Use a soft brush without metal bristles to remove stubborn residue.
- Afterwards rinse with distilled water.
- Place the rotors on a plastic grate with their cavities pointing down.
- If drying boxes are used, the temperature must never exceed 50 °C, since higher temperatures could damage the material and shorten the lifetime of the parts.
- Use only disinfectants with a pH of 6-8.
- Dry aluminum parts off with a soft cloth.
- After cleaning, treat the entire surface of aluminum parts with corrosion protection oil (7000 9824). Also treat the cavities with oil.
- Store the aluminum parts at room temperature or in a cold-storage room with the cavities pointing down.



**CAUTION** Before using any cleaning or decontamination methods except those recommended by the manufacturer, users should check with the manufacturer that the proposed method will not damage the equipment.

Clean centrifuge and accessories as follows:

1. Open the centrifuge.
2. Turn off the centrifuge.
3. Pull out the power supply plug.
4. Grasp the rotor with both hands and lift it vertically off the centrifuge spindle.
5. Remove the centrifuge tubes and adaptors.
6. Use a neutral cleaning agent with a pH value between 6 and 8 for cleaning.
7. Dry all of the rotors and accessories after cleaning with a cloth or in a warm air cabinet at a maximum temperature of 50°C.
8. Clean the housing of the centrifuge as needed.
  - After cleaning, treat the entire surface of aluminum parts with corrosion protection oil (7000 9824). Also treat the cavities with oil.
  - Treat the end of the swing out rotor with end grease (75003786).



**CAUTION** When cleaning, do not allow liquids, especially organic solvents, to get on the drive shaft, the bearings, the AutoLock™ or the locks. Organic solvents break down the grease in the motor bearing. The drive shaft could freeze up.

After some applications there might be ice in the rotor chamber. Let the ice melt and drain it off. Clean the rotor chamber as described above.

## Disinfection

Disinfect the centrifuge immediately whenever infectious material has spilled during centrifugation.



**WARNING** Infectious material can get into the centrifuge when a tube breaks or as a result of spills. Keep in mind the risk of infection when touching the rotor and take all necessary precautions. In case of contamination, make sure that others are not put at risk. Decontaminate the affected parts immediately. Take other precautions if needed.

Use a sprayer whenever possible so that all surfaces are covered evenly.

The rotor chamber and the rotor should be treated preferably with a neutral disinfectant. A disinfectant spray would be most suitable for this purpose so that the rotor and accessory surfaces are covered evenly.



**CAUTION** Before using any cleaning or decontamination methods except those recommended by the manufacturer, users should check with the manufacturer that the proposed method will not damage the equipment. Observe the safety precautions and handling instructions for the cleaning agents used.

Contact the Service Department of Thermo Fisher Scientific for questions regarding the use of other disinfectants.

Disinfect the rotor and accessories as follows:

1. Open the centrifuge.
2. Turn off the centrifuge.
3. Pull out the power supply plug.
4. Grasp the rotor with both hands and lift it vertically off the centrifuge spindle.
5. Remove the centrifuge tubes and adaptors and dispose of them or disinfect them.
6. Treat the rotor and accessories according to the instructions for the disinfectant (spray or soak in solution). Adhere strictly to the given application times.
7. Be sure the disinfectant can drain off the rotor.
8. Rinse the rotor and rotor lid thoroughly with water and then rub down.
9. Dispose of the disinfectant according to the applicable guidelines.
10. Dry all of the rotors and accessories after cleaning with a cloth or in a warm air cabinet at a maximum temperature of 50°C.
  - After cleaning, treat the entire surface of aluminum parts with corrosion protection oil (7000 9824). Also treat the cavities with oil.
  - Treat the rotor with grease (75003786).

## Decontamination

Decantamine the centrifuge immediately whenever radioactive material has spilled during centrifugation.



**WARNING** Radioactive material can get into the centrifuge when a tube breaks or as a result of spills. Keep in mind the risk of infection when touching the rotor and take all necessary precautions.

In case of contamination, make sure that others are not put at risk.

Decontaminate the affected parts immediately.

Take other precautions if need be.



**CAUTION** Before using any cleaning or decontamination methods except those recommended by the manufacturer, users should check with the manufacturer that the proposed method will not damage the equipment.

For general radioactive decontamination use a solution of equal parts of 70% ethanol, 10% SDS and water.

Disinfect the rotor and accessories as follows:

1. Open the centrifuge.
2. Turn off the centrifuge.

3. Pull out the power supply plug.
4. Grasp the rotor with both hands and lift it vertically off the centrifuge spindle.
5. Remove the centrifuge tubes and adaptors and dispose of them or disinfect them.
6. Rinse the rotor first with ethanol and then with de-ionized water.
  - Adhere strictly to the given application times.
7. Be sure the decontamination solution can drain off the rotor.
8. Rinse the rotor and accessories thoroughly with water.
9. Dispose of the decontamination solution according to the applicable guidelines.
10. Dry all of the rotors and accessories after cleaning with a cloth or in a warm air cabinet at a maximum temperature of 50°C.
  - After cleaning, treat the entire surface of aluminum parts with corrosion protection oil (7000 9824). Also treat the cavities with oil.
  - Treat the rotor with grease (75003786).

## Autoclaving

1. Before autoclaving clean rotor and accessories as described above.
2. Place the rotor on a flat surface.
  - Rotors and adapter can be autoclaved at 121 °C.
  - The maximum permissible autoclave cycle is 20 minutes at 121 °C.

Clean the rotor before autoclaving and rinse it with distilled water. Remove all accessories (tubes, adapters) from the rotor. Place the rotor on a flat surface.

**Note** No chemical additives are permitted in the steam.



**CAUTION** Never exceed the permitted temperature and duration when autoclaving. If the rotor shows signs of corrosion or wear, it must be replaced.

## Service of Thermo Fisher Scientific

Thermo Fisher Scientific recommends having the centrifuge and accessories serviced once a year by an authorized service technician. The service technicians check the following:

- the electrical equipment
- the suitability of the set-up site
- the lid lock and the safety system
- the rotor

- the fixation of the rotor and the drive shaft

Thermo Fisher Scientific offers inspection and service contracts for this work.

## RCF-Values

Speed (rpm)	Min. radius	Max. radius	RCF Rmin	RCF Rmax
300	3.7	13.7	4	14
400	3.7	13.7	7	25
500	3.7	13.7	10	38
600	3.7	13.7	15	55
700	3.7	13.7	20	75
800	3.7	13.7	26	98
900	3.7	13.7	34	124
1000	3.7	13.7	41	153
1100	3.7	13.7	50	185
1200	3.7	13.7	60	221
1300	3.7	13.7	70	259
1400	3.7	13.7	81	300
1500	3.7	13.7	93	345
1600	3.7	13.7	106	392
1700	3.7	13.7	120	443
1800	3.7	13.7	134	496
1900	3.7	13.7	149	553
2000	3.7	13.7	165	613
2100	3.7	13.7	182	675
2200	3.7	13.7	200	741
2300	3.7	13.7	219	810
2400	3.7	13.7	238	882
2500	3.7	13.7	259	957
2600	3.7	13.7	280	1035
2700	3.7	13.7	302	1117
2800	3.7	13.7	324	1201
2900	3.7	13.7	348	1288
3000	3.7	13.7	372	1378
3100	3.7	13.7	398	1472
3200	3.7	13.7	424	1568

Speed (rpm)	Min. radius	Max. radius	RCF Rmin	RCF Rmax
3300	3.7	13.7	450	1668
3400	3.7	13.7	478	1771
3500	3.7	13.7	507	1876
3600	3.7	13.7	536	1985
3700	3.7	13.7	566	2097
3800	3.7	13.7	597	2212
3900	3.7	13.7	629	2330
4000	3.7	13.7	662	2451
4100	3.7	13.7	695	2575
4200	3.7	13.7	730	2702
4300	3.7	13.7	765	2832
4400	3.7	13.7	801	2965
4500	3.7	13.7	838	3102
4600	3.7	13.7	875	3241
4700	3.7	13.7	914	3383
4800	3.7	13.7	953	3529
4900	3.7	13.7	993	3678
5000	3.7	13.7	1034	3829
5100	3.7	13.7	1076	3984
5200	3.7	13.7	1119	4142
5300	3.7	13.7	1162	4302
5400	3.7	13.7	1206	4466
5500	3.7	13.7	1251	4633
5600	3.7	13.7	1297	4803
5700	3.7	13.7	1344	4976
5800	3.7	13.7	1392	5153
5900	3.7	13.7	1440	5332
6000	3.7	13.7	1489	5514
6100	3.7	13.7	1539	5699
6200	3.7	13.7	1590	5888
6300	3.7	13.7	1642	6079
6400	3.7	13.7	1694	6274
6500	3.7	13.7	1748	6471
6600	3.7	13.7	1802	6672
6700	3.7	13.7	1857	6876
6800	3.7	13.7	1913	7082
6900	3.7	13.7	1969	7292



Speed (rpm)	Min. radius	Max. radius	RCF Rmin	RCF Rmax
7000	3.7	13.7	2027	7505
7100	3.7	13.7	2085	7721
7200	3.7	13.7	2144	7940
7300	3.7	13.7	2204	8162
7400	3.7	13.7	2265	8387
7500	3.7	13.7	2327	8616
7600	3.7	13.7	2389	8847
7700	3.7	13.7	2453	9081
7800	3.7	13.7	2517	9319
7900	3.7	13.7	2582	9559
8000	3.7	13.7	2647	9803
8100	3.7	13.7	2714	10049
8200	3.7	13.7	2781	10299
8300	3.7	13.7	2850	10552
8400	3.7	13.7	2919	10807
8500	3.7	13.7	2989	11066
8600	3.7	13.7	3059	11328
8700	3.7	13.7	3131	11593
8800	3.7	13.7	3203	11861
8900	3.7	13.7	3277	12132
9000	3.7	13.7	3351	12406
9100	3.7	13.7	3426	12684
9200	3.7	13.7	3501	12964
9300	3.7	13.7	3578	13247
9400	3.7	13.7	3655	13534
9500	3.7	13.7	3733	13823
9600	3.7	13.7	3812	14116
9700	3.7	13.7	3892	14411
9800	3.7	13.7	3973	14710
9900	3.7	13.7	4054	15012
10000	3.7	13.7	4137	15317
10100	3.7	13.7	4220	15624
10200	3.7	13.7	4304	15935
10300	3.7	13.7	4389	16249
10400	3.7	13.7	4474	16566
10500	3.7	13.7	4561	16887
10600	3.7	13.7	4648	17210

## A RCF-Values

Speed (rpm)	Min. radius	Max. radius	RCF Rmin	RCF Rmax
10700	3.7	13.7	4736	17536
10800	3.7	13.7	4825	17865
10900	3.7	13.7	4915	18198
11000	3.7	13.7	5005	18533

# Chemical Compatibility Chart

CHEMICAL	MATERIAL	ALUMINUM	ANODIC COATING for ALUMINUM	BUNA N	CELLULOSE ACETATE BUTYRATE	POLYURETHANE ROTOR PAINT	COMPOSITE Carbon Fiber/Epoxy	DELRIN®	ETHYLENE PROPYLENE	GLASS	NEOPRENE	NORYL®	NYLON	PET <sup>+</sup> , POLYCLEAR®, CLEARCRIMP®, CCLCLEARCRIMP®	POLYALLUMER	POLYCARBONATE	POLYESTER, GLASS THERMOSET	POLYETHERIMIDE	POLYRTHYLENE	POLYPROPYLENE	POLYSULFONE	POLYVINYL CHLORIDE	RULON A®, TEFLON®	SILICONE RUBBER	STAINLESS STEEL	TITANIUM	TYGON®	VITON®
2-mercaptoethanol		S	S	U	-	S	M	S	-	S	U	S	S	U	S	S	-	S	S	S	S	U	S	S	S	S	S	S
Acetaldehyde		S	-	U	U	-	-	-	M	-	U	-	-	-	M	U	U	U	M	M	-	M	S	U	-	S	-	U
Acetone		M	S	U	U	S	U	M	S	S	U	U	S	U	S	U	U	U	S	S	U	U	S	M	M	S	U	U
Acetonitrile		S	S	U	-	S	M	S	-	S	S	U	S	U	M	U	U	-	S	M	U	U	S	S	S	S	U	U
Alconox®		U	U	S	-	S	S	S	-	S	S	S	S	S	S	M	S	S	S	S	S	S	S	S	S	S	S	U
Allyl Alcohol		-	-	-	U	-	-	S	-	-	-	-	S	-	S	S	M	S	S	S	-	M	S	-	-	S	-	-
Aluminum Chloride		U	U	S	S	S	S	U	S	S	S	S	M	S	S	S	S	-	S	S	S	S	S	M	U	U	S	S
Formic Acid (100%)		-	S	M	U	-	-	U	-	-	-	-	U	-	S	M	U	U	S	S	-	U	S	-	U	S	-	U
Ammonium Acetate		S	S	U	-	S	S	S	-	S	S	S	S	S	S	S	U	-	S	S	S	S	S	S	S	S	S	S
Ammonium Carbonate		M	S	U	S	S	S	S	S	S	S	S	S	S	S	U	U	-	S	S	S	S	S	S	M	S	S	S
Ammonium Hydroxide (10%)		U	U	S	U	S	S	M	S	S	S	S	S	-	S	U	M	S	S	S	S	S	S	S	S	S	M	S
Ammonium Hydroxide (28%)		U	U	S	U	S	U	M	S	S	S	S	S	U	S	U	M	S	S	S	S	S	S	S	S	S	M	S
Ammonium Hydroxide (conc.)		U	U	U	U	S	U	M	S	-	S	-	S	U	S	U	U	S	S	S	-	M	S	S	S	S	-	U
Ammonium Phosphate		U	-	S	-	S	S	S	S	S	S	S	S	-	S	S	M	-	S	S	S	S	S	S	M	S	S	S
Ammonium Sulfate		U	M	S	-	S	S	U	S	S	S	S	S	S	S	S	S	-	S	S	S	S	S	S	U	S	S	U
Amyl Alcohol		S	-	M	U	-	-	S	S	-	M	-	S	-	M	S	S	S	S	M	-	-	-	U	-	S	-	M
Aniline		S	S	U	U	S	U	S	M	S	U	U	U	U	U	U	U	-	S	M	U	U	S	S	S	S	U	S
Sodium Hydroxide (<1%)		U	-	M	S	S	S	-	-	S	M	S	S	-	S	M	M	S	S	S	S	S	S	M	S	S	-	U
Sodium Hydroxide (10%)		U	-	M	U	-	-	U	-	M	M	S	S	U	S	U	U	S	S	S	S	S	S	M	S	S	-	U
Barium Salts		M	U	S	-	S	S	S	S	S	S	S	S	S	S	M	-	S	S	S	S	S	S	M	S	S	S	S
Benzene		S	S	U	U	S	U	M	U	S	U	U	S	U	U	U	M	U	M	U	U	U	S	U	U	S	U	S
Benzyl Alcohol		S	-	U	U	-	-	M	M	-	M	-	S	U	U	U	U	U	U	U	-	M	S	M	-	S	-	S

## B Chemical Compatibility Chart

CHEMICAL	MATERIAL	ALUMINUM	ANODIC COATING for ALUMINUM	BUNA N	CELLULOSE ACETATE BUTYRATE	POLYURETHANE ROTOR PAINT	COMPOSITE Carbon Fiber/Epoxy	DELRIN®	ETHYLENE PROPYLENE	GLASS	NEOPRENE	NORYL®	NYLON	PET®, POLYGLAR®, CLEARCRIMP®, CCCLEARCRIMP®	POLYALLOMER	POLYCARBONATE	POLYESTER, GLASS THERMOSET	POLYETHERIMIDE	POLYRTHYLENE	POLYPROPYLENE	POLYSULFONE	POLYVINYL CHLORIDE	RULON A®, TEFLON®	SILICONE RUBBER	STAINLESS STEEL	TITANIUM	TYGON®	VITON®
Boric Acid		U	S	S	M	S	S	U	S	S	S	S	S	S	S	S	S	U	S	S	S	S	S	S	S	S	S	S
Cesium Acetate		M	-	S	-	S	S	S	-	S	S	S	S	-	S	S	-	-	S	S	S	S	S	S	M	S	S	S
Cesium Bromide		M	S	S	-	S	S	S	-	S	S	S	S	S	S	S	-	-	S	S	S	S	S	S	M	S	S	S
Cesium Chloride		M	S	S	U	S	S	S	-	S	S	S	S	S	S	S	-	-	S	S	S	S	S	S	M	S	S	S
Cesium Formate		M	S	S	-	S	S	S	-	S	S	S	S	S	S	S	-	-	S	S	S	S	S	S	M	S	S	S
Cesium Iodide		M	S	S	-	S	S	S	-	S	S	S	S	S	S	S	-	-	S	S	S	S	S	S	M	S	S	S
Cesium Sulfate		M	S	S	-	S	S	S	-	S	S	S	S	S	S	S	-	-	S	S	S	S	S	S	M	S	S	S
Chloroform		U	U	U	U	S	S	M	U	S	U	U	M	U	M	U	U	U	M	M	U	U	S	U	U	U	M	S
Chromic Acid (10%)		U	-	U	U	S	U	U	-	S	S	S	U	S	S	M	U	M	S	S	U	M	S	M	U	S	S	S
Chromic Acid (50%)		U	-	U	U	-	U	U	-	-	-	S	U	U	S	M	U	M	S	S	U	M	S	-	U	M	-	S
Cresol Mixture		S	S	U	-	-	-	S	-	S	U	U	U	U	U	U	-	-	U	U	-	U	S	S	S	S	U	S
Cyclohexane		S	S	S	-	S	S	S	U	S	U	S	U	U	U	M	S	M	U	M	M	S	U	M	M	U	S	
Deoxycholate		S	S	S	-	S	S	S	-	S	S	S	S	S	S	S	-	-	S	S	S	S	S	S	S	S	S	S
Distilled Water		S	S	S	S	S	S	S	S	S	S	S	S	S	S	S	S	S	S	S	S	S	S	S	S	S	S	S
Dextran		M	S	S	S	S	S	S	-	S	S	S	S	S	S	S	S	S	S	S	S	S	S	S	M	S	S	S
Diethyl Ether		S	S	U	U	S	S	S	U	S	U	U	S	U	U	U	U	U	U	U	U	U	S	S	S	S	M	U
Diethyl Ketone		S	-	U	U	-	-	M	-	S	U	-	S	-	M	U	U	U	M	M	-	U	S	-	-	S	U	U
Diethylpyrocarbonate		S	S	U	-	S	S	S	-	S	S	U	S	U	S	U	-	-	S	S	S	M	S	S	S	S	S	S
Dimethylsulfoxide		S	S	U	U	S	S	S	-	S	U	S	S	U	S	U	U	-	S	S	U	U	S	S	S	S	U	U
Dioxane		M	S	U	U	S	S	M	M	S	U	U	S	U	M	U	U	-	M	M	M	U	S	S	S	S	U	U
Ferric Chloride		U	U	S	-	-	-	M	S	-	M	-	S	-	S	-	-	-	S	S	-	-	-	M	U	S	-	S
Acetic Acid (Glacial)		S	S	U	U	S	S	U	M	S	U	S	U	U	U	U	U	M	S	U	M	U	S	U	U	S	-	U
Acetic Acid (5%)		S	S	M	S	S	S	M	S	S	S	S	S	M	S	S	S	S	S	S	S	M	S	S	M	S	S	M
Acetic Acid (60%)		S	S	U	U	S	S	U	-	S	M	S	U	U	M	U	S	M	S	M	S	M	S	M	U	S	M	U
Ethyl Acetate		M	M	U	U	S	S	M	M	S	S	U	S	U	M	U	U	-	S	S	U	U	S	M	M	S	U	U
Ethyl Alcohol (50%)		S	S	S	S	S	S	M	S	S	S	S	S	U	S	U	S	S	S	S	S	S	S	S	M	S	M	U
Ethyl Alcohol (95%)		S	S	S	U	S	S	M	S	S	S	S	S	U	S	U	-	S	S	S	M	S	S	S	U	S	M	U
Ethylene Dichloride		S	-	U	U	-	-	S	M	-	U	U	S	U	U	U	U	U	U	U	-	U	S	U	-	S	-	S
Ethylene Glycol		S	S	S	S	S	S	S	S	S	S	S	S	-	S	U	S	S	S	S	S	S	S	S	M	S	M	S
Ethylene Oxide Vapor		S	-	U	-	-	U	-	-	S	U	-	S	-	S	M	-	-	S	S	S	U	S	U	S	S	S	U

CHEMICAL	MATERIAL	ALUMINUM	ANODIC COATING for ALUMINUM	BUNA N	CELLULOSE ACETATE BUTYRATE	POLYURETHANE ROTOR PAINT	COMPOSITE Carbon Fiber/Epoxy	DELRIN®	ETHYLENE PROPYLENE	GLASS	NEOPRENE	NORYL®	NYLON	PET®, POLYCLEAR®, CLEARCRIMP®, CCCLEARCRIMP®	POLYALLUMER	POLYCARBONATE	POLYESTER, GLASS THERMOSET	POLYETHERIMIDE	POLYRTHYLENE	POLYPROPYLENE	POLYSULFONE	POLYVINYL CHLORIDE	RULON A®, TEFLON®	SILICONE RUBBER	STAINLESS STEEL	TITANIUM	TYGON®	VITON®
Ficoll-Hypaque®	M	S	S	-	S	S	S	-	S	S	S	S	-	S	S	-	S	S	S	S	S	S	S	S	M	S	S	S
Hydrofluoric Acid (10%)	U	U	U	M	-	-	U	-	-	U	U	S	-	S	M	U	S	S	S	S	S	M	S	U	U	U	-	-
Hydrofluoric Acid (50%)	U	U	U	U	-	-	U	-	-	U	U	U	U	S	U	U	U	S	S	M	M	S	U	U	U	-	M	
Hydrochloric Acid (conc.)	U	U	U	U	-	U	U	M	-	U	M	U	U	M	U	U	U	-	S	-	U	S	U	U	U	-	-	
Formaldehyde (40%)	M	M	M	S	S	S	S	M	S	S	S	S	M	S	S	S	S	U	S	S	M	S	S	S	M	S	M	U
Glutaraldehyde	S	S	S	S	-	-	S	-	S	S	S	S	S	S	S	S	-	-	S	S	S	-	-	S	S	S	-	-
Glycerol	M	S	S	-	S	S	S	S	S	S	S	S	S	S	S	S	S	-	S	S	S	S	S	S	S	S	S	S
Guanidine Hydrochloride	U	U	S	-	S	S	S	-	S	S	S	S	S	S	S	S	-	-	S	S	S	S	S	S	U	S	S	S
Haemo-Sol®	S	S	S	-	-	-	S	-	S	S	S	S	S	S	S	S	-	-	S	S	S	S	S	S	S	S	S	S
Hexane	S	S	S	-	S	S	S	-	S	S	U	S	U	M	U	S	S	U	S	S	M	S	U	S	S	U	S	
Isobutyl Alcohol	-	-	M	U	-	-	S	S	-	U	-	S	U	S	S	M	S	S	S	-	S	S	S	-	S	-	S	
Isopropyl Alcohol	M	M	M	U	S	S	S	S	S	U	S	S	U	S	U	M	S	S	S	S	S	S	S	S	M	M	M	S
Iodoacetic Acid	S	S	M	-	S	S	S	-	S	M	S	S	M	S	S	-	M	S	S	S	S	S	M	S	S	M	M	
Potassium Bromide	U	S	S	-	S	S	S	-	S	S	S	S	S	S	S	S	S	S	S	-	S	S	S	M	S	S	S	
Potassium Carbonate	M	U	S	S	S	S	S	-	S	S	S	S	S	S	U	S	S	S	S	S	S	S	S	S	S	S	S	
Potassium Chloride	U	S	S	-	S	S	S	S	S	S	S	S	S	S	S	-	S	S	S	S	S	S	S	U	S	S	S	
Potassium Hydroxide (5%)	U	U	S	S	S	S	M	-	S	S	S	S	-	S	U	S	S	S	S	S	S	S	M	U	M	S	U	
Potassium Hydroxide (conc.)	U	U	M	U	-	-	M	-	M	S	S	-	U	M	U	U	U	S	M	-	M	U	-	U	U	-	U	
Potassium Permanganate	S	S	S	-	S	S	S	-	S	S	S	U	S	S	S	M	-	S	M	S	U	S	S	M	S	U	S	
Calcium Chloride	M	U	S	S	S	S	S	S	S	S	S	S	S	S	M	S	-	S	S	S	S	S	S	M	S	S	S	
Calcium Hypochlorite	M	-	U	-	S	M	M	S	-	M	-	S	-	S	M	S	-	S	S	S	M	S	M	U	S	-	S	
Kerosene	S	S	S	-	S	S	S	U	S	M	U	S	U	M	M	S	-	M	M	M	S	S	U	S	S	U	S	
Sodium Chloride (10%)	S	-	S	S	S	S	S	S	-	-	-	S	S	S	S	S	-	S	S	S	S	-	S	S	M	-	S	
Sodium Chloride (sat'd)	U	-	S	U	S	S	S	-	-	-	-	S	S	S	S	-	S	S	-	S	-	S	-	S	M	-	S	
Carbon Tetrachloride	U	U	M	S	S	U	M	U	S	U	U	S	U	M	U	S	S	M	M	S	M	M	M	M	U	S	S	
Aqua Regia	U	-	U	U	-	-	U	-	-	-	-	-	U	U	U	U	U	U	U	U	-	-	-	-	-	S	-	M
Solution 555 (20%)	S	S	S	-	-	-	S	-	S	S	S	S	S	S	S	-	-	S	S	S	-	S	S	S	S	S	S	
Magnesium Chloride	M	S	S	-	S	S	S	S	S	S	S	S	S	S	S	S	S	S	S	S	S	S	S	S	M	S	S	
Mercaptoacetic Acid	U	S	U	-	S	M	S	-	S	M	S	U	U	U	U	-	S	U	U	S	M	S	U	S	S	S	S	
Methyl Alcohol	S	S	S	U	S	S	M	S	S	S	S	S	U	S	U	M	S	S	S	S	S	S	S	M	S	M	U	

## B Chemical Compatibility Chart

CHEMICAL	MATERIAL	ALUMINUM	ANODIC COATING for ALUMINUM	BUNA N	CELLULOSE ACETATE BUTYRATE	POLYURETHANE ROTOR PAINT	COMPOSITE Carbon Fiber/Epoxy	DELRIN®	ETHYLENE PROPYLENE	GLASS	NEOPRENE	NORYL®	NYLON	PET®, POLYGLAR®, CLEARCRIMP®, CCCLEARCRIMP®	POLYALLOMER	POLYCARBONATE	POLYESTER, GLASS THERMOSET	POLYETHERIMIDE	POLYRTHYLENE	POLYPROPYLENE	POLYSULFONE	POLYVINYL CHLORIDE	RULON A®, TEFLON®	SILICONE RUBBER	STAINLESS STEEL	TITANIUM	TYGON®	VITON®
Methylene Chloride	U	U	U	U	M	S	S	S	U	S	U	U	S	U	U	U	U	U	M	U	U	U	S	S	M	U	S	U
Methyl Ethyl Ketone	S	S	U	U	S	S	M	S	S	U	U	S	U	S	U	U	U	U	S	S	U	U	S	S	S	S	U	U
Metrizamide®	M	S	S	-	S	S	S	-	S	S	S	S	-	S	S	-	-	S	S	S	S	S	S	S	M	S	S	S
Lactic Acid (100%)	-	-	S	-	-	-	-	-	-	M	S	U	-	S	S	S	M	S	S	-	M	S	M	S	S	-	S	
Lactic Acid (20%)	-	-	S	S	-	-	-	-	-	M	S	M	-	S	S	S	S	S	S	S	S	M	S	M	S	S	-	S
N-Butyl Alcohol	S	-	S	U	-	-	S	-	-	S	M	-	U	S	M	S	S	S	S	S	M	M	S	M	-	S	-	S
N-Butyl Phthalate	S	S	U	-	S	S	S	-	S	U	U	S	U	U	U	M	-	U	U	S	U	S	M	M	S	U	S	
N, N-Dimethylformamide	S	S	S	U	S	M	S	-	S	S	U	S	U	S	U	U	-	S	S	U	U	S	M	S	S	S	U	
Sodium Borate	M	S	S	S	S	S	S	S	S	S	S	S	U	S	S	S	S	-	S	S	S	S	S	S	M	S	S	S
Sodium Bromide	U	S	S	-	S	S	S	-	S	S	S	S	S	S	S	S	-	S	S	S	S	S	S	S	M	S	S	S
Sodium Carbonate (2%)	M	U	S	S	S	S	S	S	S	S	S	S	S	S	U	S	S	S	S	S	S	S	S	S	S	S	S	S
Sodium Dodecyl Sulfate	S	S	S	-	S	S	S	-	S	S	S	S	S	S	S	-	S	S	S	S	S	S	S	S	S	S	S	S
Sodium Hypochlorite (5%)	U	U	M	S	S	M	U	S	S	M	S	S	S	M	S	S	S	S	M	S	S	S	M	U	S	M	S	
Sodium Iodide	M	S	S	-	S	S	S	-	S	S	S	S	S	S	S	-	-	S	S	S	S	S	S	M	S	S	S	
Sodium Nitrate	S	S	S	-	S	S	S	S	S	S	S	S	S	S	S	S	-	S	S	S	S	S	U	S	S	S	S	
Sodium Sulfate	U	S	S	-	S	S	S	S	S	S	S	S	S	S	S	S	S	S	S	S	S	S	S	M	S	S	S	
Sodium Sulfide	S	-	S	S	-	-	-	S	-	-	-	S	S	S	U	U	-	-	S	-	-	-	S	S	M	-	S	
Sodium Sulfite	S	S	S	-	S	S	S	M	S	S	S	S	S	S	S	M	-	S	S	S	S	S	S	S	S	S	S	
Nickel Salts	U	S	S	S	S	S	-	S	S	S	-	-	S	S	S	S	-	S	S	S	S	S	M	S	S	S	S	
Oils (Petroleum)	S	S	S	-	-	-	S	U	S	S	S	S	U	U	M	S	M	U	U	S	S	S	U	S	S	S	S	
Oils (Other)	S	-	S	-	-	-	S	M	S	S	S	S	U	S	S	S	S	U	S	S	S	S	-	S	S	M	S	
Oleic Acid	S	-	U	S	S	S	U	U	S	U	S	S	M	S	S	S	S	S	S	S	S	S	M	U	S	M	M	
Oxalic Acid	U	U	M	S	S	S	U	S	S	S	S	S	U	S	U	S	S	S	S	S	S	S	S	U	M	S	S	
Perchloric Acid (10%)	U	-	U	-	S	U	U	-	S	M	M	-	-	M	U	M	S	M	M	-	M	S	U	-	S	-	S	
Perchloric Acid (70%)	U	U	U	-	-	U	U	-	S	U	M	U	U	M	U	U	U	M	M	U	M	S	U	U	S	U	S	
Phenol (5%)	U	S	U	-	S	M	M	-	S	U	M	U	U	S	U	M	S	M	S	U	U	S	U	M	M	M	S	
Phenol (50%)	U	S	U	-	S	U	M	-	S	U	M	U	U	U	U	U	S	U	M	U	U	S	U	U	U	M	S	
Phosphoric Acid (10%)	U	U	M	S	S	S	U	S	S	S	S	U	-	S	S	S	S	S	S	S	S	S	U	M	U	S	S	
Phosphoric Acid (conc.)	U	U	M	M	-	-	U	S	-	M	S	U	U	M	M	S	S	S	M	S	M	S	U	M	U	-	S	
Physiologic Media (Serum, Urine)	M	S	S	S	-	-	S	-	S	S	S	S	S	S	S	S	S	S	S	S	S	S	S	S	S	S	S	S

CHEMICAL	MATERIAL	ALUMINUM	ANODIC COATING for ALUMINUM	BUNA N	CELLULOSE ACETATE BUTYRATE	POLYURETHANE ROTOR PAINT	COMPOSITE Carbon Fiber/Epoxy	DELRIN®	ETHYLENE PROPYLENE	GLASS	NEOPRENE	NORYL®	NYLON	PET®, POLYCLEAR®, CLEARCRIMP®, CCCLEARCRIMP®	POLYALLUMER	POLYCARBONATE	POLYESTER, GLASS THERMOSET	POLYETHERIMIDE	POLYRTHYLENE	POLYPROPYLENE	POLYSULFONE	POLYVINYL CHLORIDE	RULON A®, TEFLON®	SILICONE RUBBER	STAINLESS STEEL	TITANIUM	TYGON®	VITON®
Picric Acid	S	S	U	-	S	M	S	S	S	M	S	U	S	S	S	U	S	S	S	S	S	U	S	U	M	S	M	S
Pyridine (50%)	U	S	U	U	S	U	U	-	U	S	S	U	U	M	U	U	-	U	S	M	U	S	S	U	U	U	U	U
Rubidium Bromide	M	S	S	-	S	S	S	-	S	S	S	S	S	S	S	-	-	S	S	S	S	S	S	S	M	S	S	S
Rubidium Chloride	M	S	S	-	S	S	S	-	S	S	S	S	S	S	S	-	-	S	S	S	S	S	S	S	M	S	S	S
Sucrose	M	S	S	-	S	S	S	S	S	S	S	S	S	S	S	S	S	S	S	S	S	S	S	S	S	S	S	S
Sucrose, Alkaline	M	S	S	-	S	S	S	-	S	S	S	S	S	S	U	S	S	S	S	S	S	S	S	S	M	S	S	S
Sulfosalicylic Acid	U	U	S	S	S	S	S	-	S	S	S	U	S	S	S	-	S	S	S	-	S	S	S	U	S	S	S	S
Nitric Acid (10%)	U	S	U	S	S	U	U	-	S	U	S	U	-	S	S	S	S	S	S	S	S	S	S	M	S	S	S	S
Nitric Acid (50%)	U	S	U	M	S	U	U	-	S	U	S	U	U	M	M	U	M	M	M	S	S	S	U	S	S	M	S	S
Nitric Acid (95%)	U	-	U	U	-	U	U	-	-	U	U	U	U	M	U	U	U	U	M	U	U	S	U	S	S	-	S	S
Hydrochloric Acid (10%)	U	U	M	S	S	S	U	-	S	S	S	U	U	S	U	S	S	S	S	S	S	S	S	S	U	M	S	S
Hydrochloric Acid (50%)	U	U	U	U	S	U	U	-	S	M	S	U	U	M	U	U	S	S	S	S	S	M	S	M	U	U	M	M
Sulfuric Acid (10%)	M	U	U	S	S	U	U	-	S	S	M	U	S	S	S	S	S	S	S	S	S	S	S	U	U	U	S	S
Sulfuric Acid (50%)	M	U	U	U	S	U	U	-	S	S	M	U	U	S	U	U	M	S	S	S	S	S	U	U	U	M	S	S
Sulfuric Acid (conc.)	M	U	U	U	-	U	U	M	-	-	M	U	U	S	U	U	U	M	S	U	M	S	U	U	U	-	S	S
Stearic Acid	S	-	S	-	-	-	S	M	S	S	S	S	-	S	S	S	S	S	S	S	S	S	S	M	M	S	S	S
Tetrahydrofuran	S	S	U	U	S	U	U	M	S	U	U	S	U	U	U	-	M	U	U	U	U	S	U	S	S	U	U	U
Toluene	S	S	U	U	S	S	M	U	S	U	U	S	U	U	U	S	U	M	U	U	U	S	U	S	U	U	M	M
Trichloroacetic Acid	U	U	U	-	S	S	U	M	S	U	S	U	U	S	M	-	M	S	S	U	U	S	U	U	U	M	U	U
Trichloroethane	S	-	U	-	-	-	M	U	-	U	-	S	U	U	U	U	U	U	U	U	U	S	U	-	S	-	S	S
Trichloroethylene	-	-	U	U	-	-	-	U	-	U	-	S	U	U	U	U	U	U	U	U	U	S	U	-	U	-	S	S
Trisodium Phosphate	-	-	-	S	-	-	M	-	-	-	-	-	-	S	-	-	S	S	S	-	-	S	-	-	S	-	S	S
Tris Buffer (neutral pH)	U	S	S	S	S	S	S	-	S	S	S	S	S	S	S	S	S	S	S	S	S	S	S	S	S	S	S	S
Triton X-100®	S	S	S	-	S	S	S	-	S	S	S	S	S	S	S	S	S	S	S	S	S	S	S	S	S	S	S	S
Urea	S	-	U	S	S	S	S	-	-	-	-	S	S	S	M	S	S	S	S	-	S	S	S	M	S	-	S	S
Hydrogen Peroxide (10%)	U	U	M	S	S	U	U	-	S	S	S	U	S	S	S	M	U	S	S	S	S	S	S	M	S	U	S	S
Hydrogen Peroxide (3%)	S	M	S	S	S	-	S	-	S	S	S	S	S	S	S	S	M	S	S	S	S	S	S	S	S	S	S	S
Xylene	S	S	U	S	S	S	M	U	S	U	U	U	U	U	U	M	U	M	U	U	U	S	U	M	S	U	S	S
Zinc Chloride	U	U	S	S	S	S	U	S	S	S	S	S	S	S	S	S	S	S	S	S	S	S	S	S	U	S	S	S
Zinc Sulfate	U	S	S	-	S	S	S	S	S	S	S	S	S	S	S	S	S	S	S	S	S	S	S	S	S	S	S	S





## Warranty and recommended Service Life

Rotor Type	Warranty Years	Recommended Retirement After Years
FIBERLite™ F14-6x250	15	-

Rotor Type	Warranty	Recommended Retirement After Years
O-rings, tubes, bottles	30 Days	1

Thermo Fisher Scientific warrants that the Products will operate substantially in conformity with Thermo Fisher Scientific's published specifications, when subjected to normal, proper and intended usage by properly trained personnel, for a period of 5 YEARS after shipment to the Customer (the "Warranty Period"). Thermo Fisher Scientific agrees during the Warranty Period, provided it is promptly notified in writing upon the discovery of any material defect and further provided that all costs of returning the defective Goods to Thermo Fisher Scientific are pre-paid by the Customer, to repair or replace, at Thermo Fisher Scientific's option, defective Goods so as to cause the same to operate in substantial conformance with the said specifications. Replacement parts may be new or refurbished, at the election of Thermo Fisher Scientific. All replaced parts shall become the property of Thermo Fisher Scientific. Thermo Fisher Scientific's sole liability with respect to equipment, materials, parts or software furnished to Thermo Fisher Scientific by its third party suppliers shall be limited to the assignment by Thermo Fisher Scientific to the Customer of any such third party supplier's warranty, to the extent the same is assignable. In no event shall Thermo Fisher Scientific have any obligation to make repairs, replacements or corrections required, in whole or in part, as the result of: (i) normal wear and tear, (ii) accident, disaster or event of force majeure, (iii) misuse, fault or negligence of or by or on behalf of the Customer, (iv) use of the Goods in a manner for which they were not designed, (v) causes external to the Goods such as, but not limited to, power failure or electrical power surges or (vi) use of the Goods in combination with equipment or software not supplied by Thermo Fisher Scientific. If Thermo Fisher Scientific determines that Goods for which the Customer has requested warranty services are not covered by the warranty hereunder, the Customer shall pay or reimburse Thermo Fisher Scientific for all costs of investigating and responding to such request at Thermo Fisher Scientific's then prevailing time and material rates. If Thermo Fisher Scientific provides repair services or replacement parts that are not covered by the warranty provided in this Clause, the Customer shall pay Thermo Fisher Scientific therefor at Thermo Fisher Scientific's then prevailing time and materials rates. Any installation, maintenance, repair, service, relocation or alteration to or of, or other tampering with, the Goods, performed by any person or entity other than Thermo Fisher Scientific without Thermo Fisher Scientific's prior written approval, or any use of replacement parts not supplied by Thermo Fisher Scientific, shall immediately void and cancel all warranties with respect to the affected Goods.

## Contact Information

United States	866-9-THERMO
	+1 866 984 3766

Canada	+1 866 984 3766
--------	-----------------

Austria	+43 1 801 400
---------	---------------

Belgium	+32 2 482 30 30
---------	-----------------

Germany	08001 536 376
	+49 6184 90 6940

France	+33 2 2803 2180
	+33 2 2803 2000

Italy	+39 02 02 95059 341
-------	---------------------

Netherlands	+31 76 571 4440
-------------	-----------------

Nordic / Baltic Countries	+35 89 329 100
---------------------------	----------------

Russia	+7 (812) 703 42 15
--------	--------------------

## **D** Contact Information

Spain +34 932 23 09 18

---

Portugal +34 932 23 09 18

---

Switzerland +41 44 454 12 12

---

UK / Ireland +44 870 609 9203

---

China +86 21 6865 4588

---

+86 10 8419 3588

---

India +91 22 6716 2200

---

Japan +81 45 453 9220

---

Other Asian Countries +852 2885 4613

---

Latin America +1 866 984 3766

---

Other Countries +49 6184 90 6940

---

+33 2 2803 2180

---

# Index

<b>A</b>	
Accessories .....	2-1
Aerosol-tight Applications .....	5-1
Autoclaving .....	6-5
<b>B</b>	
Basic Principles .....	5-2
Before Run .....	4-2
<b>C</b>	
Care .....	6-1
Checking the Aerosol-Tightness .....	5-2
Cleaning .....	6-2
Cleaning agents .....	6-3
Contact Information .....	D-1
<b>D</b>	
Decontamination .....	6-4
Disinfection .....	6-3
<b>F</b>	
Fill Level .....	5-2
<b>I</b>	
Improper Loading .....	4-3
<b>M</b>	
Maintenance .....	6-1
<b>P</b>	
Precautions .....	iii
Preface .....	iii
Proper Loading .....	4-2
<b>Q</b>	
Quick Test .....	5-2
<b>R</b>	
Removing the Rotor .....	3-3
Rotor Installation .....	3-2
Rotor Loading .....	4-1
Rotor Specifications .....	1-1
<b>S</b>	
Scope of Supply .....	iii
Service technician .....	6-5
<b>W</b>	
Warranty .....	C-1

