



Instruction Manual
Incubating Rocking Platform Shaker
Incubating 3-D Rotator Waver



TABLE OF CONTENTS

Package Contents	1
Warranty	1
Installation	2
Maintenance & Servicing	2
Environmental Conditions	2
Safety Instructions	3
Standards & Regulations	3
Control Panel	4
Specifications	5
Operating Instructions	6-7
Troubleshooting	8
Replacement Parts	9-10
Accessories	11

PACKAGE CONTENTS

Incubating Rocking Platform Shaker or Incubating 3-D Rotator Waver
92" (234cm) detachable power cord
Instruction manual

WARRANTY

Manufacturer warrants this product to be free from defects in material and workmanship when used under normal conditions for five (5) years. Please complete and return the enclosed warranty card. For your reference, make a note of the serial number, date of purchase and supplier here.

Serial Number: _____

Date of Purchase: _____

Supplier: _____

INSTALLATION

Upon receiving the VWR Incubating Rocking/Waving Shaker, check to ensure that no damage has occurred during shipment. It is important that any damage that occurred in transport is detected at the time of unpacking. If you do find such damage the carrier must be notified immediately.

After unpacking, place the Incubating Rocking/Waving Shaker on a level bench or table, away from explosive vapors. Ensure that the surface on which the unit is placed will withstand typical heat produced by the unit. Always place the unit on a sturdy work surface.

The Incubating Rocking/Waving Shaker is supplied with a power cord that is inserted into the IEC connector on the back of the unit first, then it can be plugged into a properly grounded outlet. The 120V unit plugs into a 120 volt, 50/60 Hz source. The 230V unit plugs into a 230 volt, 50/60 Hz source.

MAINTENANCE & SERVICING

The Incubating Rocking/Waving Shaker is built for long, trouble-free, dependable service. No lubrication or other technical user maintenance is required. However at least every three (3) months you should:

- Unplug the unit.
- Remove any accumulated dirt from the base and tray.
- Check all accessible items to make sure they are properly tightened.

The unit should be given the care normally required for any electrical appliance. Avoid wetting or unnecessary exposure to fumes. Spills should be removed promptly. **DO NOT** use a cleaning agent or solvent on the front panel or lid which is abrasive or harmful to plastics, nor one which is flammable. Always ensure the power is disconnected from the unit prior to any cleaning. If the unit ever requires service, contact your VWR Representative.

ENVIRONMENTAL CONDITIONS

Operating Conditions: Indoor use only.

Temperature: 5 to 40°C (41 to 104°F)

Humidity: maximum 80% relative humidity, non-condensing

Altitude: 0 to 6,562 ft (2000 M) above sea level

Non-Operating Storage:

Temperature: -20 to 65°C (-4 to 149°F)

Humidity: maximum 80% relative humidity, non-condensing

Installation Category II and Pollution Degree 2 in accordance with IEC 664.

EQUIPMENT DISPOSAL

This equipment must not be disposed of with unsorted waste. It is your responsibility to correctly dispose of the equipment at life-cycle-end by handing it over to an authorized facility for separate collection and recycling. It is also your responsibility to decontaminate the equipment in case of biological, chemical and/or radiological contamination, so as to protect the persons involved in the disposal and recycling of the equipment from health hazards.



For more information about where you can drop off your waste of equipment, please contact your local dealer from whom you originally purchased this equipment. By doing so, you will help to conserve natural and environmental resources and you will ensure that your equipment is recycled in a manner that protects human health.

SAFETY INSTRUCTIONS

Please read the entire instruction manual before operating the Incubating Rocking/Waving Shaker.



WARNING! DO NOT use the Incubating Rocking/Waving Shaker in a hazardous atmosphere or with hazardous materials for which the unit was not designed. Also, the user should be aware that the protection provided by the equipment may be impaired if used with accessories not provided or recommended by the manufacturer, or used in a manner not specified by the manufacturer.

Always operate unit on a level surface for best performance and maximum safety.

DO NOT lift unit by the tray or lid.



CAUTION! To avoid electrical shock, completely cut off power to the unit by disconnecting the power cord from the unit or unplug from the wall outlet. Disconnect unit from the power supply prior to maintenance and servicing.

Spills should be removed promptly. Biohazard spills should be cleaned up using approved laboratory procedures. Solvent spills are a fire hazard. Stop the unit immediately, and **DO NOT** operate until clean up is complete and vapors have dissipated (motor brushes arc and may ignite flammable vapors). **DO NOT** immerse the unit for cleaning.

DO NOT operate the unit if it shows signs of electrical or mechanical damage.



Earth Ground - Protective Conductor Terminal



Alternating Current

STANDARDS & REGULATIONS

Troemner, LLC hereby declares under its sole responsibility that the construction of this product conforms in accordance with the following standards:

Safety standards:

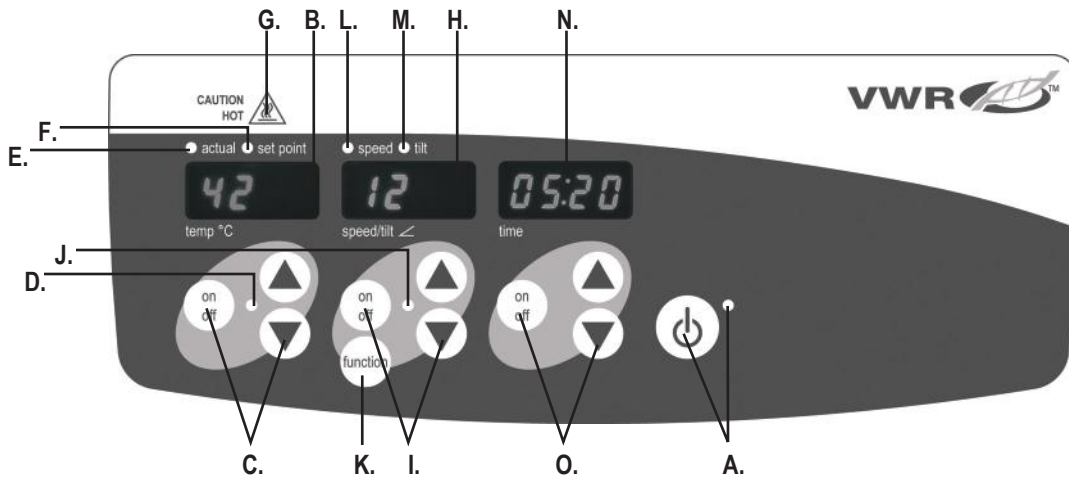
- IEC 61010-1 Safety requirements for electrical equipment for measurement, control and laboratory use. Part I: General Requirements.
IEC 61010-2-010 Part II: Particular requirements for laboratory equipment for the heating of materials.
IEC 61010-2-051 Part II: Particular requirements for laboratory equipment for mixing and stirring.
UL Std. No. 61010-1

EMC standards:

- | | |
|-----------------|-------------------|
| EN55022-B | EN6100-4-5 |
| EN61000-3-3/3-2 | EN61000-4-3 |
| EN61000-4-4 | EN61000-4-6 |
| EN61000-4-11 | EN61326-1 Class A |

Associated EU guidelines:

- EMC directive 2004/108/EC
LVD directive 2006/95/EC
ROHS directive 2011/65/EU



CONTROL PANEL

The front panel of the Incubating Rocker/Waver contains all the controls and displays needed to operate the unit.

- A. Standby button/standby indicator light:** The standby indicator light will illuminate when the unit is plugged in. The unit will be in standby mode. Press the standby button to activate the temperature, speed/tilt and time functions. The standby indicator light will shut off and the temperature, speed/tilt and time displays will illuminate. Press the standby button again and the unit will once again be in standby mode.
- B. Temperature display:** Displays the actual/set-point temperatures in conjunction with the actual/set-point indicator lights. **C.** Up/down arrows for set-point control. On/off button starts/stops the heat function. **D.** The heat indicator light will be illuminated when the unit is heating.
- E. Actual indicator light:** Illuminates when the temperature displayed is the actual temperature of the air in the chamber.
- F. Set-point indicator light:** Illuminates when the set-point temperature is displayed.

- G. Caution hot indicator light:** Illuminates when the air temperature of the chamber is above 40°C (104°F).
- H. Speed/tilt display:** Displays the speed and tilt of the unit. **I.** Up/down arrows for set-point control. On/off button starts/stops the rocking/waving function. **J.** The speed/tilt indicator light will be illuminated when the unit is rocking/waving.
- K. Function button:** Press to choose the function you are setting: speed or tilt.
- L. Speed indicator light:** Illuminates when the speed is displayed.
- M. Tilt indicator light:** Illuminates when the tilt angle is displayed.
- N. Time display:** Displays accumulated time (continuous mode) or how much time is remaining (timed mode). **O.** Up/down arrows for set-point control. On/off button starts/stops the time function. The display range is from 0 to 9,999 minutes in one (1) second increments. The display will indicate minutes and seconds until the timer reaches 99 minutes and 59 seconds (99:59), then the display will automatically display minutes up to 9,999.

INCUBATING ROCKING SHAKER SPECIFICATIONS

Overall dimensions (L x W x H):	17 x 11 x 10.5" (43.2 x 27.9 x 26.7cm)
Interior dimensions (L x W x H):	10.75 x 7.75 x 3.8" (27.3 x 19.7 x 9.7cm)
Tray dimensions (L x W):	10 x 7.5" (25.4 x 19.1cm)
Electrical (50/60 Hz):	120 volts AC, 5 amps, 450 watts 230 volts AC, 5 amps, 450 watts
Fuses:	5mm x 20mm, 5 amp quick acting
Temperature range:	ambient +5° to 65°C
Temperature uniformity:	±0.5°C at 37°C
Speed range:	1 to 50rpm *
Speed accuracy:	±1rpm
Tilt angle:	0 to 15° *
Timer:	1 second to 9999 minutes (increased in 1 second increments)
Maximum weight capacity:	10lbs (4.5kg) **
Controls:	see page 4
Tray material:	aluminum
Ship weight:	22lbs (10kg)

* Maximum speed/tilt angle may vary with heavy or unbalanced loads.

** Centered on tray.

INCUBATING WAVING SHAKER SPECIFICATIONS

Overall dimensions (L x W x H):	17 x 11 x 10.5" (43.2 x 27.9 x 26.7cm)
Interior dimensions (L x W x H):	10.75 x 7.75 x 3.4" (27.3 x 19.7 x 8.6cm)
Tray dimensions (L x W):	9.25 x 7.25" (23.5 x 18.4cm)
Electrical (50/60 Hz):	120 volts AC, 5 amps, 450 watts 230 volts AC, 5 amps, 450 watts
Fuses:	5mm x 20mm, 5 amp quick acting
Temperature range:	ambient +5° to 65°C
Temperature uniformity:	±0.5°C at 37°C
Speed range:	1 to 30rpm *
Speed accuracy:	±1rpm
Tilt angle:	0 to 20° *
Timer:	1 second to 9999 minutes (increased in 1 second increments)
Maximum weight capacity:	5lbs (2.3kg) **
Controls:	see page 4
Tray material:	aluminum
Ship weight:	22lbs (10kg)

* Maximum speed/tilt angle may vary with heavy or unbalanced loads.

** Centered on tray.

INCUBATING ROCKING/WAVING SHAKER OPERATING INSTRUCTIONS

The Incubating Rocking/Waving Shakers have been designed for the temperature, speed/tilt angle and time functions to work independently of one another. The temperature and speed/tilt angle can be reset without resetting the timer and the timer can be stopped and started without interrupting the heating or rocking/waving functions.

1. Getting ready:

- a. Plug the power cord into a properly grounded outlet. The standby indicator light will illuminate, verifying power to the unit. Manually move the tray to a near horizontal "home" position before powering unit.
- b. Press the standby button to move the unit from standby mode. The standby indicator light will shut off and the temperature, speed/tilt angle and time displays will illuminate, displaying the previously used settings.



2. Setting temperature:

- a. Press the up/down arrows below the temperature display until you reach the desired temperature. When you release the arrow button, the display will blink off and then on indicating the new set temperature has been accepted.
- b. Press the on/off button to start the heating function. The indicator light below the temperature display will illuminate to indicate the heating function is in use. You will hear five (5) audible beeps that indicate set temperature has been reached.
- c. Temperature adjustments can be made without interrupting heating by using the up/down arrows below the temperature display. After the change has been made and you release the button, the display will blink off and then on indicating the new set temperature has been accepted.
- d. To stop the heating function, press the on/off button below the temperature display. The heat indicator light will turn off.

CAUTION HOT Indicator:



The caution hot indicator light warns that the temperature of the air in the chamber is above 40°C (104°F). The light will illuminate and remain lit when the temperature of the air in the chamber reaches approximately 40°C (104°F). When the heat is turned off, the caution hot indicator light will stay lit until the temperature of the air in the chamber is less than 40°C (104°F).

3. **Setting tilt angle:** Electronic tilt enables the user to adjust the angle of tray movement while the unit is rocking/waving or while the unit is stopped.
 - a. Press the function button below the speed/tilt angle display until the tilt indicator light illuminates. You are now ready to set the tilt angle.
 - b. Press the up/down arrows below the speed/tilt angle display until you reach the desired angle. When you release the button, the display will blink off and then on indicating the new set angle has been accepted. The unit will complete one rotation at the previously set angle, then smoothly change to the newly programmed angle. The tilt indicator light will flash until the transition to the new tilt angle is complete.
4. **Setting speed:**
 - a. Press the function button below the speed/tilt angle display until the speed indicator light illuminates. You are now ready to set the speed.
 - b. Press the up/down arrows below the speed/tilt angle display until you reach the desired speed. When you release the button, the display will blink off and then on indicating the new set speed has been accepted.
 - c. Press the on/off button to start the rocking/waving function. The indicator light below the speed/tilt angle display will illuminate and blink until the set-point is reached. Once the set-point is reached the light will stop blinking and remain lit until rocking/waving has ceased.

INCUBATING ROCKING/WAVING SHAKER OPERATING INSTRUCTIONS CONT'D

- d. To stop the rocking/waving function, press the on/off button below the speed/tilt angle display. The unit will complete one full rotation then stop in the horizontal "home" position. The speed indicator light will flash until the rotation is complete. When the cycle is complete, the unit will automatically move to standby mode and the standby indicator light will illuminate.

OPERATING TIPS

When the unit is running at slow speeds or high angles, making large changes to the tilt angle or speed may take several minutes to complete. The quickest way to make large changes is to stop the unit, change the speed or tilt angle, then restart by pressing the on/off button below the speed/tilt angle display.

5. **Setting time to zero (0:00) and continuous mode:** Accumulated time.

- a. Press and hold the on/off button below the time display. After three (3) seconds the display will indicate the previous set time.
- b. Simultaneously press both the up and down arrows, the display will indicate zero (0:00). The unit time is now set to zero (0:00) minutes. Alternately, you can use the up/down arrows to get to zero (0:00).
- c. Press the on/off button below the time display. The display will indicate the accumulated time. The up/down arrows will become inactive. To stop timer, press the on/off button again. **IMPORTANT:** This will **NOT** interrupt the rocking/waving function. Press the on/off button below the speed/tilt angle display to interrupt the rocking/waving function.
- d. To reset, press and hold the on/off button below the time display. After three (3) seconds the display will indicate the previous set time, which was zero (0:00).

6. **Setting timed mode:** Programmed time.

- a. Press the up/down arrows below the time display until you reach the desired time.

- b. Start this function by pressing the on/off button below the time display. The unit will run for the selected time, the up/down arrows will become inactive while the timer is running. The unit will stop rocking/waving when time display reaches zero (0:00). Four (4) audible beeps will indicate the count down function is complete. The time display will default back to the set time. To repeat for the same time, simply press the on/off button again.
- c. To interrupt an automatic timing cycle before it is completed, press the on/off button below the time display. The time display will flash off and on to indicate the time function is on "hold". **IMPORTANT:** This will **NOT** interrupt the rocking/waving function. Press the on/off button below the speed/tilt angle display to interrupt the rocking/waving function. Restart the timer by pressing the on/off button below the time display. Unit will continue counting down to zero (0:00). When the display reaches zero (0:00), you will hear the four (4) audible beeps that indicate the count down function is complete and the rocking/waving function will cease.

7. **Turning unit off:**

- a. To turn unit off, press the standby button. The temperature, speed/tilt angle and time displays will be blank, the standby indicator light will illuminate. The Incubating Rocking/Waving Shaker should be kept in standby mode when not in use. To completely cut off power to the unit, disconnect the power cord from the unit or unplug from the wall outlet.

OPERATING TIPS

As a safety feature, a built-in program will shut power off to the motor if the tray is prevented from rocking/waving, or the unit is overloaded beyond its recommended weight capacity.

Built-in memory maintains the last used temperature, speed/tilt angle and time settings during a power interruption.

TROUBLESHOOTING

During operation, any rattling or ticking sounds may indicate a loose screw on the tray, a tray attachment or an accessory. All accessories should be sufficiently tightened in place before starting the unit.

<u>Error Code</u>	<u>Software Test</u>	<u>Cause</u>
E04	unit overloaded	maximum load exceeded

Press the standby button to clear this error. Be sure the load is within the maximum load capacity before restarting the unit. If the E04 error persists, switch the unit off and contact your VWR representative for repairs.

<u>Error Code</u>	<u>Software Test</u>	<u>Cause</u>
E03	drive system failure	ceased motor drive belt broken mechanical obstruction

In the event of someone/something inadvertently touching the tray while the unit is running, the unit will display an E03 error message, and automatically go to the horizontal "home" position and restart.

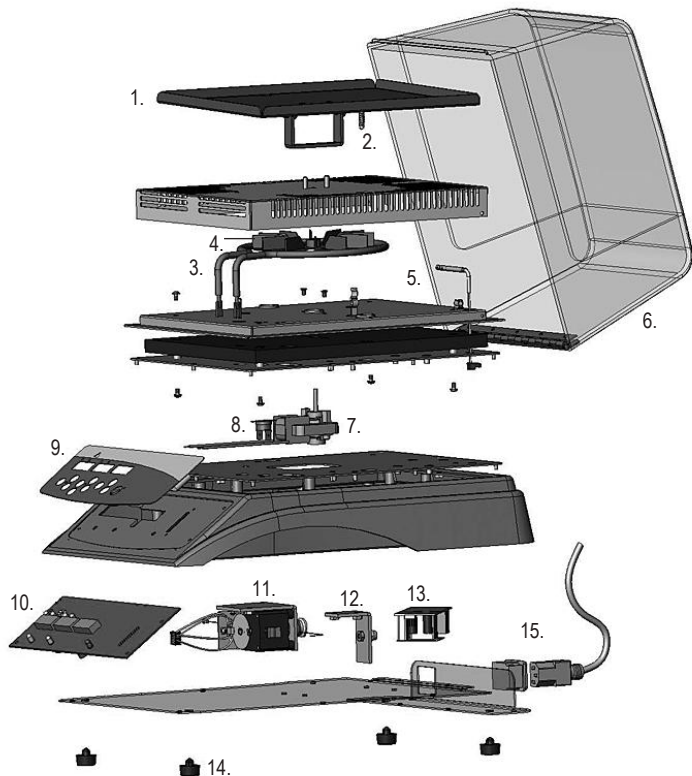
In the event of a mechanical obstruction, the unit will attempt to auto "home" and restart four (4) times and then stop running, displaying an E03 error message. Press the standby button to clear this error and remove the mechanical obstruction.

If the E03 error persists the reason may be a ceased motor or broken drive belt and should **NOT** be addressed by the end user. Switch the unit off and contact your VWR representative for repairs.

<u>Error Code</u>	<u>Cause</u>
E02	RTD shorted or temperature below 0°C (32°F)
E01	RTD open or temperature over 100°C (212°F)

The E02 and E01 errors should **NOT** be addressed by the end user. Switch the unit off and contact your VWR representative for repairs.

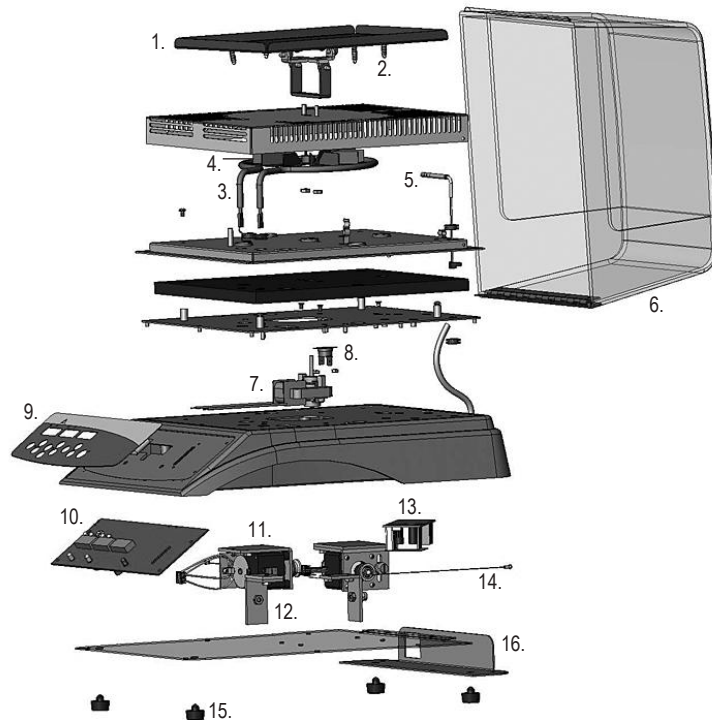
INCUBATING ROCKER REPLACEMENT PARTS



DESCRIPTION		PART NUMBER
1.	Tray assembly	880529-00
2.	Spring	180062-00
3.	Heater	120V: 380710-00 230V: 380711-00
4.	Fan	280357-00
5.	Temperature sensor	380721-00
6.	Lid	280309-00
7.	Motor fan,	120V: 380731-00 230V: 380732-00
8.	Thermostat	380723-00
9.	Front panel	380725-00
10.	Circuit board	380736-00
11.	Motor assembly	880535-00
12.	Idler assembly	880531-00
13.	Power supply	386453-00
	Fuse	380238-00
14.	Feet	149023-00
15.	Power entry module,	120V: 380758-00 230V: 380237-00
	Detachable 92" (234cm) power cord:	120V: 330100-00 Eurp Plug: 330101-00 UK: 330102-00 Swiss Plug: 330103-00

INCUBATING WAVER REPLACEMENT PARTS

DESCRIPTION	PART NUMBER
1. Tray assembly	880530-00
2. Spring	180062-00
3. Heater:	
120V:	380710-00
230V:	380711-00
4. Fan	280357-00
5. Temperature sensor	380721-00
6. Lid	280309-00
7. Motor fan:	
120V:	380731-00
230V:	380732-00
8. Thermostat	380723-00
9. Front panel	380727-00
10. Circuit board	380736-00
11. Motor assembly	880534-00
12. Idler assembly	880531-00
13. Power supply	386453-00
Fuse	380238-00
14. Cable	280404-00
15. Feet	149023-00
16. Power entry module:	
120V:	380758-00
230V:	380237-00
Detachable 92" (234cm) power cord:	
120V:	330100-00
Euro plug:	330101-00
UK:	330102-00
Swiss plug:	330103-00



ACCESSORIES

DIMPLED MAT

Designed to hold centrifuge tubes, vials, culture tubes, and micro-tubes securely in place. Mat can be easily removed for cleaning and transporting tubes from bench to tray.

Description	Dimensions (L x W)	Part Number
Dimpled Mat, Incubating Rocking Shaker	10 x 7.5" (25.4 x 19.1cm)	12985-032
Dimpled Mat, Incubating Waving Shaker	9.25 x 7.25" (23.5 x 18.4cm)	12985-036



Manufactured by: Troemner, LLC

201 Wolf Drive • PO Box 87 • Thorofare, NJ 08086-0087
Phone: 856-686-1600 • Fax: 856-686-1601 • E-mail: troemner@troemner.com
www.troemner.com
715061-00 (REV 8 - 8/16)